

Milwaukee®

Nothing but **HEAVY DUTY**®



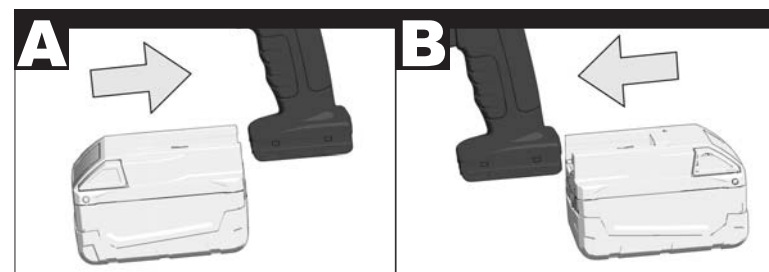
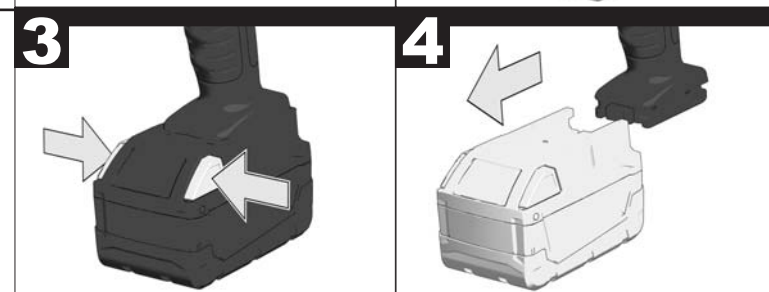
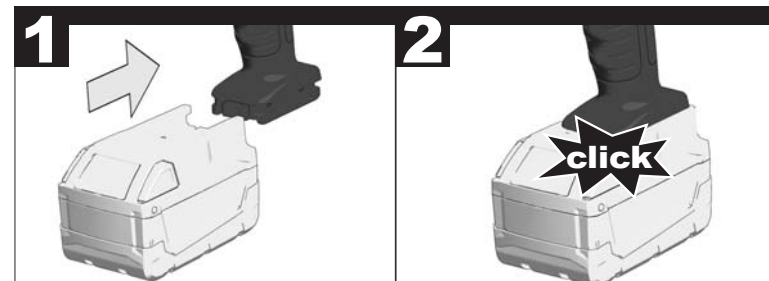
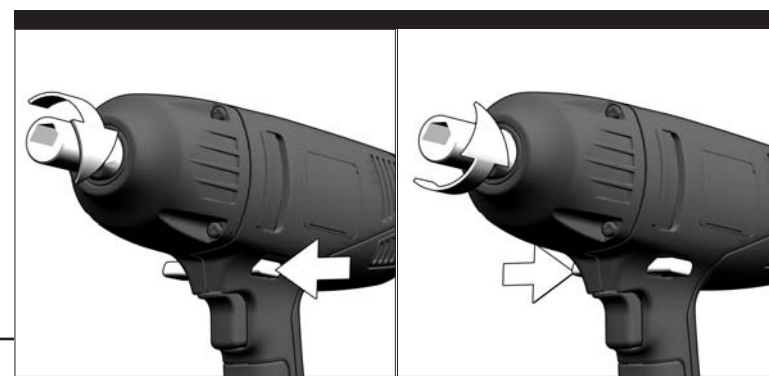
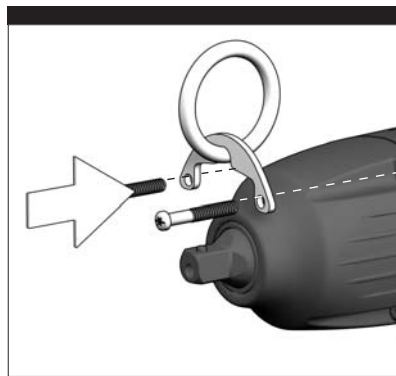
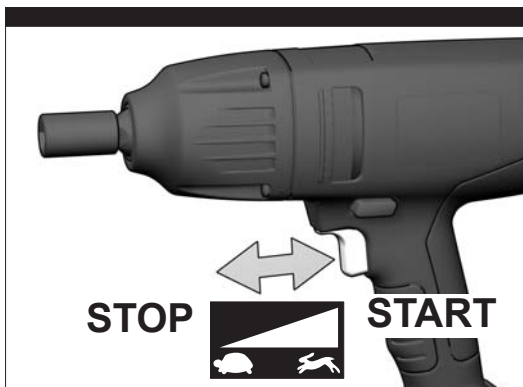
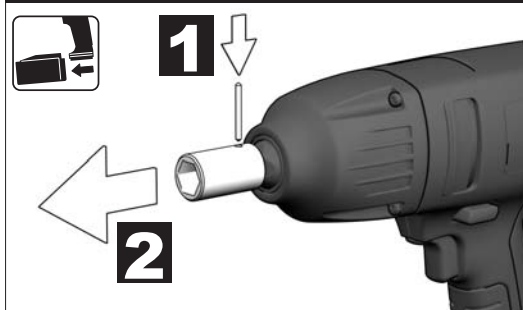
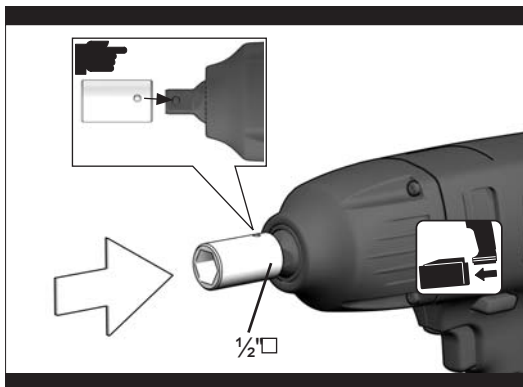
HD 28 IW

Original instructions
Originalbetriebsanleitung
Notice originale
Istruzioni originali
Manual original
Oorspronkelijke
gebruiksaanwijzing
Original brugsanvisning
Original bruksanvisning
Bruksanvisning i original
Alkuperäiset ohjeet

Πρωτότυπο οδηγιών χρήσης
Orijinal işletme talimatı
Původním návodem k
používání
Pôvodný návod na použitie
Instrukcją oryginalną
Eredeti használati utasítás
Izvirna navodila
Originalne pogonske upute
Instrukcijām oriģinālvalodā
Originalni instrukcija

Algupärane kasutusjuhend
Оригинальное руководство
по эксплуатации
Оригинално ръководство за
експлоатация
Instrucțiuni de folosire
originale
Оригинален прирачник за
работа
原始的指南

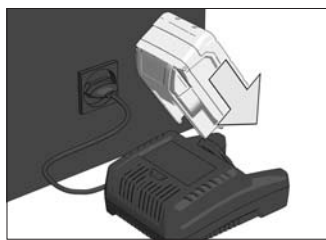
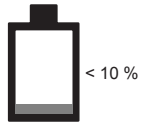
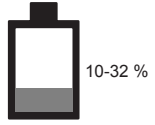
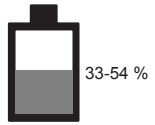
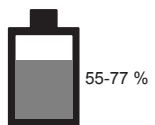
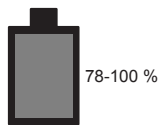
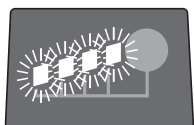
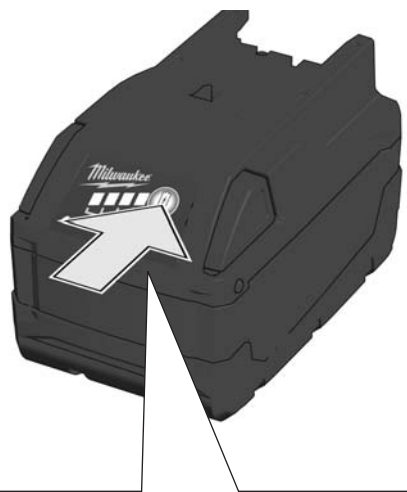
| | | | |
|--|--|--------------------|-----------|
| Technical Data, Safety instructions, Specified Conditions of Use, EC-Declaration of Conformity, Batteries, Characteristics, Maintenance, Symbols | Please read and save these instructions! | ENGLISH | 8 |
| Technische Daten, Sicherheitshinweise, Bestimmungsgemäße Verwendung, CE-Konformitätserklärung, Akkus, Merkmale, Wartung, Symbole | Bitte lesen und aufbewahren! | DEUTSCH | 10 |
| Caractéristiques techniques, Instructions de sécurité, Utilisation conforme aux prescriptions, Déclaration CE de Conformité, Accus, Description, Entretien, Symboles | Prière de lire et de conserver! | FRANÇAIS | 12 |
| Dati tecnici, Norme di sicurezza, Utilizzo conforme, Dichiarazione di Conformità CE, Batteria, Breve Indicazione, Manutenzione, Simboli | Si prega di leggere le istruzioni e di conservarle! | ITALIANO | 14 |
| Datos técnicos, Instrucciones de seguridad, Aplicación de acuerdo a la finalidad, Declaración de Conformidad CE, Batería, Señalización, Mantenimiento, Símbolos | Lea y conserve estas instrucciones por favor! | ESPAÑOL | 16 |
| Características técnicas, Instruções de segurança, Utilização autorizada, Declaração de Conformidade CE, Acumulador, Características, Manutenção, Símbolo | Por favor leia e conserve em seu poder! | PORTUGUES | 18 |
| Technische gegevens, Veiligheidsadviezen, Voorgeschreven gebruik van het systeem, EC-Konformiteitsverklaring, Akku, Kenmerken, Onderhoud, Symbolen | Lees en let goed op deze adviezen! | NEDERLANDS | 20 |
| Tekniske data, Sikkerhedshenvisninger, Tiltænkt formål, CE-Konformitetserklæring, Batteri, Beskrivelse, Vedligeholdelse, Symboler | Vær venlig at læse og opbevare! | DANSK | 22 |
| Tekniske data, Spesielle sikkerhetshenvisninger, Formålmessig bruk, CE-Samsvarserklæring, Batterier, Kjennetegn, Vedlikehold, Symboler | Vennligst les og oppbevar! | NORSK | 24 |
| Tekniska data, Säkerhetsutrustning, Använd maskinen Enligt anvisningarna, CE-Försäkran, Batterier, Kännemärke, Skötsel, Symboler | Var god läs och tag tillvara dessa instruktioner! | SVENSKA | 26 |
| Tekniset arvot, Turvallisuusohjeet, Tarkoituksenmukainen käyttö, Todistus CE-standardinmukaisuudesta, Akku, Ominaisuudet, Huolto, Symbolit | Lue ja säilytä! | SUOMI | 28 |
| Τεχνικά στοιχεία, Σημαντικές οδηγίες ασφαλείας, Χρήση σύμφωνα με το σκοπο προορισμού, Δήλωση πιστοτήτας εκ, Μπαταρίες, Χαρακτηριστικά, Συντήρηση, Σύμβολα | Παρακαλείσθε να τις διαβάσετε και να τις φυλάξετε! | ΕΛΛΗΝΙΚΑ | 30 |
| Teknik veriler, Güvenliğinizi için talimatlar, Kullanım, CE uygunluk beyanince, Akü, Özellikler, Bakım, Semboller | Lütfen okuyun ve saklayın | TÜRKÇE | 32 |
| Technická data, Speciální bezpečnostní upozornění, Oblast využití, Ce-prohlášení o shodě, Akumulátory, Upozornění, Údržba, Symboly | Po přečtení uschovejte | ČESKY | 34 |
| Technické údaje, Špeciálne bezpečnostné pokyny, Použitie podľa predpisov, CE-Vyhlásenie konformity, Akumulátory, Znaký, Údržba, Symboly | Prosím prečítať a uschovať! | SLOVENSKY | 36 |
| Dane techniczne, Specjalne zalecenia dotyczace bezpieczerstwa, Użytkowanie zgodne z przeznaczeniem, Świadectwo zgodności ce, Baterie akumulatrowe, Właściwości, Gwarancja, Symbole | Prosimy o uwazne przeczytanie i przestrzezenie zaleceń zamie szczonych w tej instrukcji. | POLSKI | 38 |
| Műszaki adatok, Különleges biztonssági tudnivalók, Rendeltetésszerű használat, Ce-azonossági nyilatkozat, Akkuk, Jellegetességek, Karbantartás, Szimbólumok | Olvassa el és őrizze meg | MAGYAR | 40 |
| Tehnični podatki, Specialni varnostni napotki, Uporaba v skladu z namembnostjo, Ce-izjava o konformnosti, Akumulatorji, Značilnosti, Vzdrževanje, Simboli | Prosimo preberite in shranite! | SLOVENSKO | 42 |
| Tehnički podaci, Specijalne sigurnosne upute, Propisna upotreba, CE-Izjava konformnosti, Baterije, Obilježja, Održavanje, Simboli | Molimo pročitati i sačuvati | HRVATSKI | 44 |
| Tehniske dati, Speciālie drošības noteikumi, Noteikumiem atbilstošs izmantojums, Atbilstība CE normām, Akumulātori, Pazīmes, Apkope, Simboli | Pielikums lietošanas pamācībai | LATVISKI | 46 |
| Techniniai duomenys, Ypatingos saugumo nuorodos, Naudojimas pagal paskirtį, CE Atitikties pareiškimas, Akumulatoriai, Požymiai, Techninis aptarnavimas, Simboliai | Prašome perskaityti ir neišmesti! | LIETUVIŠKAI | 48 |
| Tehnilised andmed, Spetsiaalsed turvajuhised, Kasutamise vastavalt otstarbele, EÜ Vastavusavaldus, Akud, Tunnused, Hooldus, Sümbolid | Palun lugege läbi ja hoidke alal! | EESTI | 50 |
| Технические данные, Важные инструкции по технике безопасности, Использование, Декларация о соответствии стандартам ес, Аккумулятор, Характеристики, Обслуживание, Символы | Пожалуйста прочтите и сохраните эту инструкцию | РУССКИЙ | 52 |
| Технически данни, Важни инструкции за безопасност, Използване по предназначение, Се - декларация за съответствие, Аккумулятори, Характеристики, Поддръжка, Символи | Моля прочетете и запазете! | БЪЛГАРСКИ | 54 |
| Date tehnice, Instrucțiuni de securitate, Condiții de utilizare specificate, Declarație de conformitate, Alimentare de la rețea, Caracteristici, Intreținere, Simboluri | Va rugăm citiți și păstrați aceste instrucțiuni | ROMÂNIA | 56 |
| Технички Податоци, Упатство За Употреба, Специфицирани Услови На Употреба, Еу-декларација За Сообразност, Батерии, Карактеристики, Одржување, Символи | Ве молиме прочитајте го и чувајте го ова упатство! | МАКЕДОНСКИ | 58 |
| 技术数据, 特殊安全指示, 正确地使用机器, 欧洲安全规定说明, 蓄电池, 特点, 维修, 符号 | 请详细阅读并妥善保存! | 中文 | 60 |



 Remove the battery pack before starting any work on the machine.
Vor allen Arbeiten an der Maschine den Wechselakku herausnehmen
Avant tous travaux sur la machine retirer l'acou interchangeable.
Prima di iniziare togliere la batteria dalla macchina.
Retire la batería antes de comenzar cualquier trabajo en la máquina.
Antes de efectuar cualquier intervención na máquina retirar o bloco acumulador.
Voor alle werkzaamheden aan de machine de akku verwijderen.
Ved arbejde inden i maskinen, bør batteriet tages ud.

Ta ut veckselbatteriet før du arbeider på maskinen
Drag ur batteripaket innan arbete utföres på maskinen.
Tarkista pistotulppa ja verkkojohto mahdollisilta vaurioilta. Viat saa korjata vain alan erikoisies.
Πριν από κάθε εργασία στη μηχανή αφαιρέστε την αναλλοίωκτη μπαταρία.
Aletin kendinde bir çalıřma yapmadan önce kartuř aküyü çıkarın.
Před zahájením veřkerých prací na vrtacím šroubovákú vyjmout výměnný akumulátor.
Pred každou prácou na stroji výmenný akumulátor vyňať.
Przed przystąpieniem do jakichkolwiek prac na elektronarzędziu należy wyjąć wkładkę akumulatorową.
Karbantartás, javítás, tisztítás, stb. előtt az akkumulátort ki kell venni a készülékből.

Pred deli na stroju izvecite izmenljivi akumulator.
Prije svih radova na stroju izvaditi bateriju za zamjenu.
Pirms mařinai veikt jebkāda veida apkopes darbus, ir jāizņem ārā akumulatori.
Priš atikdami bet kokius darbus iřenginyje, išimkite keičiamą akumulatorių.
Enne kõiki töid masina kallal võtke vahetatav aku välja.
Выньте аккумулятор из машины перед проведением с ней каких-либо манипуляций.
Predi započevane na kakvito e da e raboti po mařinata izvadete akumulatora.
Scoateți acumulatorul înainte de a începe orice intervenție pe mașină.
在机器上进行任何维护工作之前，先拿出蓄電池。



| | |
|---|-----------------------------------|
| Production code..... | 4313 03 01... ...000001-999999 |
| Tool reception..... | ■ 1/2" (13 mm) |
| No-load speed..... | 0-1450 min ⁻¹ |
| Impact range..... | 0-2450 min ⁻¹ |
| Torque..... | 440 Nm |
| Max. diameter bolt / nut..... | 1" (M25) |
| Battery voltage..... | 28 V |
| Weight according EPTA-Procedure 01/2003 (3,0 Ah)..... | 4,1 kg |

Noise information

Measured values determined according to EN 60 745

Typically, the A-weighted noise levels of the tool are:

Sound pressure level (Uncertainty K=3dB(A)) 101 dB (A)

Sound power level (Uncertainty K=3dB(A))..... 112 dB (A)

Wear ear protectors!

Vibration information

Total vibration values (vector sum in the three axes)

determined according to EN 60745.

Impact tightening of fasteners of the maximum capacity of the tool

Vibration emission value a_{n,10}..... 10,1 m/s²

Uncertainty K=..... 1,5 m/s²

WARNING

The vibration emission level given in this information sheet has been measured in accordance with a standardised test given in EN 60745 and may be used to compare one tool with another. It may be used for a preliminary assessment of exposure.

The declared vibration emission level represents the main applications of the tool. However if the tool is used for different applications, with different accessories or poorly maintained, the vibration emission may differ. This may significantly increase the exposure level over the total working period.

An estimation of the level of exposure to vibration should also take into account the times when the tool is switched off or when it is running but not actually doing the job. This may significantly reduce the exposure level over the total working period.

Identify additional safety measures to protect the operator from the effects of vibration such as: maintain the tool and the accessories, keep the hands warm, organisation of work patterns.

⚠ WARNING! Read all safety warnings and all instructions. Failure to follow the warnings and instructions may result in electric shock, fire and/or serious injury. **Save all warnings and instructions for future reference.**

⚠ IMPACT DRIVER SAFETY WARNINGS

Hold power tool by insulated gripping surfaces, when performing an operation where the fastener may contact hidden wiring. Fasteners contacting a „live“ wire may make exposed metal parts of the power tool „live“ and could give the operator an electric shock.

Wear ear protectors. Exposure to noise can cause hearing loss.

ADDITIONAL SAFETY AND WORKING INSTRUCTIONS

Use protective equipment. Always wear safety glasses when working with the machine. The use of protective clothing is recommended, such as dust mask, protective gloves, sturdy non-slip footwear, helmet and ear defenders.

The dust produced when using this tool may be harmful to health. Do not inhale the dust. Wear a suitable dust protection mask.

Do not machine any materials that present a danger to health (e.g. asbestos).

Switch the device off immediately if the insertion tool stalls! Do not switch the device on again while the insertion tool is stalled, as doing so could trigger a sudden recoil with a high reactive force. Determine why the insertion tool stalled and rectify this, paying heed to the safety instructions.

The possible causes may be:

- it is tilted in the workpiece to be machined
- it has pierced through the material to be machined
- the power tool is overloaded

Do not reach into the machine while it is running.

The insertion tool may become hot during use.

- when changing tools
- when setting the device down

Sawdust and splinters must not be removed while the machine is running.

When working in walls ceiling, or floor, take care to avoid electric cables and gas or waterpipes.

Clamp your workpiece with a clamping device. Unclamped workpieces can cause severe injury and damage.

Remove the battery pack before starting any work on the machine.

Do not dispose of used battery packs in the household refuse or by burning them. Milwaukee Distributors offer to retrieve old batteries to protect our environment.

Do not store the battery pack together with metal objects (short circuit risk).

Use only System V-Tec chargers for charging System V-Tec battery packs. Do not use battery packs from other systems.

Never break open battery packs and chargers and store only in dry rooms. Keep dry at all times.

Battery acid may leak from damaged batteries under extreme load or extreme temperatures. In case of contact with battery acid wash it off immediately with soap and water. In case of eye contact rinse thoroughly for at least 10 minutes and immediately seek medical attention.

SPECIFIED CONDITIONS OF USE

The cordless impact wrench can be used to tighten and loosen nuts and bolts wherever no mains connection is available.

Do not use this product in any other way as stated for normal use.

EC-DECLARATION OF CONFORMITY

We declare under our sole responsibility that the product described under "Technical Data" fulfills all the relevant regulations and the directives 2011/65/EU (RoHS), 2006/42/EC, 2004/108/EC and the following harmonized standards have been used:

- EN 60745-1:2009 + A11:2010
- EN 60745-2-2:2010
- EN 55014-1:2006 + A1:2009 + A2:2011
- EN 55014-2:1997 + A1:2001 + A2:2008
- EN 50581:2012

Winnenden, 2014-09-03

Alexander Krug

Alexander Krug
Managing Director



Authorized to compile the technical file.

Techtronic Industries GmbH
Max-Eyth-Straße 10
71364 Winnenden
Germany

BATTERIES

Battery packs which have not been used for some time should be recharged before use.

Temperatures in excess of 50°C (122°F) reduce the performance of the battery pack. Avoid extended exposure to heat or sunshine (risk of overheating).

The contacts of chargers and battery packs must be kept clean.

For an optimum life-time, after use, the battery packs have to be fully charged.

To obtain the longest possible battery life remove the battery pack from the charger once it is fully charged.

For battery pack storage longer than 30 days:
Store the battery pack where the temperature is below 27°C and away from moisture
Store the battery packs in a 30% - 50% charged condition
Every six months of storage, charge the pack as normal.

BATTERY PACK PROTECTION

In extremely high torque, binding, stalling and short circuit situations that cause high current draw, the tool will vibrate for about 2 seconds and then the tool will turn OFF.

To reset, release the trigger.
Under extreme circumstances, the internal temperature of the battery could become too high. If this happens, the battery will shut down.

Place the battery on the charger to charge and reset it.

INTENANCE

Use only Milwaukee accessories and spare parts. Should components need to be replaced which have not been described, please contact one of our Milwaukee service agents (see our list of guarantee/service addresses).

If needed, an exploded view of the tool can be ordered. Please state the machine type printed as well as the six-digit No. on the label and order the drawing at your local service agents or directly at: Techtronic Industries GmbH, Max-Eyth-Straße 10, 71364 Winnenden, Germany.

TRANSPORTING LITHIUM BATTERIES

Lithium-ion batteries are subject to the Dangerous Goods Legislation requirements.

Transportation of those batteries has to be done in accordance with local, national and international provisions and regulations.

- The user can transport the batteries by road without further requirements.
- Commercial transport of Lithium-Ion batteries by third parties is subject to Dangerous Goods regulations. Transport preparation and transport are exclusively to be carried out by appropriately trained persons and the process has to be accompanied by corresponding experts.

When transporting batteries:

- Ensure that battery contact terminals are protected and insulated to prevent short circuit.
- Ensure that battery pack is secured against movement within packaging.
- Do not transport batteries that are cracked or leak.

Check with forwarding company for further advice

SYMBOLS



CAUTION! WARNING! DANGER!



Remove the battery pack before starting any work on the machine.



Please read the instructions carefully before starting the machine.



Do not dispose of electric tools together with household waste material. Electric tools and electronic equipment that have reached the end of their life must be collected separately and returned to an environmentally compatible recycling facility. Check with your local authority or retailer for recycling advice and collection point.



European Conformity Mark

EurAsian Conformity Mark.

TECHNISCHE DATEN AKKU-SCHLAGSCHRAUBER HD 28 IW

| | |
|---|--------------------------|
| Produktionsnummer | 4313 03 01... |
| | ...000001-999999 |
| Werkzeugaufnahme | ■ 1/2" (13 mm) |
| Leerlaufdrehzahl | 0-1450 min ⁻¹ |
| Schlagzahl | 0-2450 min ⁻¹ |
| Drehmoment | 440 Nm |
| Maximale Schraubengröße / Muttergröße | 1" (M25) |
| Spannung Wechselakku | 28 V |
| Gewicht nach EPTA-Prozedur 01/2003 (3,0 Ah) | 4,1 kg |

Geräuschinformation

Messwerte ermittelt entsprechend EN 60 745

Der A-bewertete Geräuschpegel des Gerätes beträgt typischerweise:

Schalldruckpegel (Unsicherheit K=3dB(A)) 101 dB (A)

Schalleistungspegel (Unsicherheit K=3dB(A)) 112 dB (A)

Gehörschutz tragen!

Vibrationsinformationen

Schwingungsgesamtwerte (Vektorsumme dreier Richtungen) ermittelt entsprechend EN 60745

Anziehen von Schrauben und Muttern maximaler Größe

Schwingungsemissionswert a_{h,ISO} 10,1 m/s²

Unsicherheit K = 1,5 m/s²

WARNUNG

Der in diesen Anweisungen angegebene Schwingungspegel ist entsprechend einem in EN 60745 genormten Messverfahren gemessen worden und kann für den Vergleich von Elektrowerkzeugen miteinander verwendet werden. Er eignet sich auch für eine vorläufige Einschätzung der Schwingungsbelastung.

Der angegebene Schwingungspegel repräsentiert die hauptsächlichen Anwendungen des Elektrowerkzeugs. Wenn allerdings das Elektrowerkzeug für andere Anwendungen, mit abweichenden Einsatzwerkzeugen oder ungenügender Wartung eingesetzt wird, kann der Schwingungspegel abweichen. Dies kann die Schwingungsbelastung über den gesamten Arbeitszeitraum deutlich erhöhen.

Für eine genaue Abschätzung der Schwingungsbelastung sollten auch die Zeiten berücksichtigt werden, in denen das Gerät abgeschaltet ist oder zwar läuft, aber nicht tatsächlich im Einsatz ist. Dies kann die Schwingungsbelastung über den gesamten Arbeitszeitraum deutlich reduzieren.

Legen Sie zusätzliche Sicherheitsmaßnahmen zum Schutz des Bedieners vor der Wirkung von Schwingungen fest wie zum Beispiel: Wartung von Elektrowerkzeug und Einsatzwerkzeugen, Warmhalten der Hände, Organisation der Arbeitsabläufe.

⚠️ WARNUNG! Lesen Sie alle Sicherheitshinweise und Anweisungen.

Versäumnisse bei der Einhaltung der Sicherheitshinweise und Anweisungen können elektrischen Schlag, Brand und/oder schwere Verletzungen verursachen.

Bewahren Sie alle Sicherheitshinweise und Anweisungen für die Zukunft auf.

⚠️ SICHERHEITSHINWEISE FÜR SCHLAGSCHRAUBER

Halten Sie das Gerät an den isolierten Griffflächen, wenn Sie Arbeiten ausführen, bei denen die Schraube verborgene Stromleitungen treffen kann. Der Kontakt der Schraube mit einer spannungsführenden Leitung kann metallene Geräteteile unter Spannung setzen und zu einem elektrischen Schlag führen.

Tragen Sie Gehörschutz. Die Einwirkung von Lärm kann Hörverlust bewirken.

WEITERE SICHERHEITS- UND ARBEITSHINWEISE

Schutzausrüstung verwenden. Beim Arbeiten mit der Maschine stets Schutzbrille tragen. Schutzkleidung wie Staubschutzmaske, Schutzhandschuhe, festes und rutschsicheres Schuhwerk, Helm und Gehörschutz werden empfohlen.

Beim Arbeiten entstehender Staub ist oft gesundheitsschädlich und sollte nicht in den Körper gelangen. Geeignete Staubschutzmaske tragen.

Es dürfen keine Materialien bearbeitet werden, von denen eine Gesundheitsgefährdung ausgeht (z.B. Asbest).

Beim Blockieren des Einsatzwerkzeuges bitte das Gerät sofort ausschalten! Schalten Sie das Gerät nicht wieder ein, solange das Einsatzwerkzeug blockiert ist; hierbei könnte ein Rückschlag mit hohem Reaktionsmoment entstehen. Ermitteln und beheben Sie die Ursache für die Blockierung

des Einsatzwerkzeuges unter Berücksichtigung der Sicherheitshinweise.

Mögliche Ursachen dafür können sein:

- Verkanten im zu bearbeitenden Werkstück
- Durchbrechen des zu bearbeitenden Materials
- Überlasten des Elektrowerkzeuges

Greifen Sie nicht in die laufende Maschine.

Das Einsatzwerkzeug kann während der Anwendung heiß werden.

WARNUNG! Verbrennungsgefahr

- bei Werkzeugwechsel
- bei Ablegen des Gerätes

Späne oder Splitter dürfen bei laufender Maschine nicht entfernt werden.

Beim Arbeiten in Wand, Decke oder Fußboden auf elektrische Kabel, Gas- und Wasserleitungen achten.

Sichern Sie Ihr Werkstück mit einer Spannvorrichtung. Nicht gesicherte Werkstücke können schwere Verletzungen und Beschädigungen verursachen.

Vor allen Arbeiten an der Maschine den Wechselakku herausnehmen

Verbrauchte Wechselakkus nicht ins Feuer oder in den Hausmüll werfen. Milwaukee bietet eine umweltgerechte Alt-Wechselakku-Entsorgung an; bitte fragen Sie Ihren Fachhändler.

Wechselakkus nicht zusammen mit Metallgegenständen aufbewahren (Kurzschlussgefahr).

Wechselakkus des Systems V-Tec nur mit Ladegeräten des Systems V-Tec laden. Keine Akkus aus anderen Systemen laden.

Wechselakkus und Ladegeräte nicht öffnen und nur in trockenen Räumen lagern. Vor Nässe schützen.

Unter extremer Belastung oder extremer Temperatur kann aus beschädigten Wechselakkus Batterieflüssigkeit auslaufen. Bei Berührung mit Batterieflüssigkeit sofort mit Wasser und Seife abwaschen. Bei Augenkontakt sofort mindestens 10 Minuten gründlich spülen und unverzüglich einen Arzt aufsuchen.

BESTIMMUNGSGEMÄSSE VERWENDUNG

Der Akku-Schlagschrauber ist universell einsetzbar zum Befestigen und Lösen von Schrauben und Muttern unabhängig von einem Netzanschluss.

Dieses Gerät darf nur wie angegeben bestimmungsgemäß verwendet werden.

CE-KONFORMITÄTserklärung

Wir erklären in alleiniger Verantwortung, dass das unter „Technische Daten“ beschriebene Produkt mit allen relevanten Vorschriften der Richtlinie 2011/65/EU (RoHS), 2006/42/EG, 2004/108/EG und den folgenden harmonisierten normativen Dokumenten übereinstimmt:

EN 60745-1:2009 + A11:2010

EN 60745-2-2:2010

EN 55014-1:2006 + A1:2009 + A2:2011

EN 55014-2:1997 + A1:2001 + A2:2008

EN 50581:2012

Winnenden, 2014-09-03



Alexander Krug
Managing Director



Bevollmächtigt die technischen Unterlagen zusammenzustellen

Technronic Industries GmbH
Max-Eyth-Straße 10
71364 Winnenden
Germany

AKKUS

Längere Zeit nicht benutzte Wechselakkus vor Gebrauch nachladen.

Eine Temperatur über 50°C vermindert die Leistung des Wechselakkus. Längere Erwärmung durch Sonne oder Heizung vermeiden.

Die Anschlusskontakte an Ladegerät und Wechselakku sauber halten.

Für eine optimale Lebensdauer müssen nach dem Gebrauch die Akkus voll geladen werden.

Für eine möglichst lange Lebensdauer sollten die Akkus nach dem Aufladen aus dem Ladegerät entfernt werden.

Bei Lagerung des Akkus länger als 30 Tage:

Akku bei ca. 27°C und trocken lagern.

Akku bei ca. 30%-50% des Ladezustandes lagern.

Akku alle 6 Monate erneut aufladen.

AKKUÜBERLASTSCHUTZ

Bei Überlastung des Akkus durch sehr hohen Stromverbrauch, z.B. extrem hohe Drehmomente, Verklemmen des Bohrers, plötzlichem Stopp oder Kurzschluss, brummt das Elektrowerkzeug 2 Sekunden lang und schaltet sich selbsttätig ab.

Zum Wiedereinschalten, den Schalterdrücker loslassen und dann wieder einschalten.

Unter extremen Belastungen kann sich der Akku stark erhitzen. In diesem Fall schaltet der Akku ab. Den Akku dann in das Ladegerät stecken um ihn wieder aufzuladen und zu aktivieren.

WARTUNG

Nur Milwaukee Zubehör und Ersatzteile verwenden. Bauteile, deren Austausch nicht beschrieben wurde, bei einer Milwaukee Kundendienststelle auswechseln lassen (Broschüre Garantie/Kundendienstadressen beachten).

Bei Bedarf kann eine Explosionszeichnung des Gerätes unter Angabe der Maschinen Type und der sechsstelligen Nummer auf dem Leistungsschild bei Ihrer Kundendienststelle oder direkt bei Technronic Industries GmbH, Max-Eyth-Straße 10, 71364 Winnenden, Germany angefordert werden.

TRANSPORT VON LITHIUM-IONEN-AKKUS

Lithium-Ionen-Akkus fallen unter die gesetzlichen Bestimmungen zum Gefahrguttransport.

Der Transport dieser Akkus muss unter Einhaltung der lokalen, nationalen und internationalen Vorschriften und Bestimmungen erfolgen.

- Verbraucher dürfen diese Akkus ohne Weiteres auf der Straße transportieren.
- Der kommerzielle Transport von Lithium-Ionen-Akkus durch Speditionsunternehmen unterliegt den Bestimmungen des Gefahrguttransports. Die Versandvorbereitungen und der Transport dürfen ausschließlich von entsprechend geschulten Personen durchgeführt werden. Der gesamte Prozess muss fachmännisch begleitet werden.

Folgende Punkte sind beim Transport von Akkus zu beachten:

- Stellen Sie sicher, dass die Kontakte geschützt und isoliert sind, um Kurzschlüsse zu vermeiden.
- Achten Sie darauf, dass der Akkupack innerhalb der Verpackung nicht verrutschen kann.
- Beschädigte oder auslaufende Akkus dürfen nicht transportiert werden.

Wenden Sie sich für weitere Hinweise an Ihr Speditionsunternehmen.

SYMBOL



ACHTUNG! WARNUNG! GEFAHR!



Vor allen Arbeiten an der Maschine den Wechselakku herausnehmen



Bitte lesen Sie die Gebrauchsanweisung vor Inbetriebnahme sorgfältig durch.



Elektrogeräte dürfen nicht zusammen mit dem Hausmüll entsorgt werden. Elektrische und elektronische Geräte sind getrennt zu sammeln und zur umweltgerechten Entsorgung bei einem Verwertungsbetrieb abzugeben. Erkundigen Sie sich bei den örtlichen Behörden oder bei Ihrem Fachhändler nach Recyclinghöfen und Sammelstellen.



CE-Zeichen



EurAsian Konformitätszeichen.

CARACTÉRISTIQUES TECHNIQUES VISSEUSE À CHOC SANS FIL**HD 28 IW**

| | |
|--|--------------------------|
| Numéro de série | 4313 03 01... |
| | ...000001-999999 |
| Système de fixation | ■ 1/2" (13 mm) |
| Vitesse de rotation à vide | 0-1450 min ⁻¹ |
| Perçage à percussion | 0-2450 min ⁻¹ |
| Couple | 440 Nm |
| Dimension maximale de vis/d'écrou | 1" (M25) |
| Tension accu interchangeable | 28 V |
| Poids suivant EPTA-Procédure 01/2003 (3,0 Ah)..... | 4,1 kg |

Informations sur le bruit

Valeurs de mesure obtenues conformément à la EN 60 745.

Les mesures réelles (A) des niveaux acoustiques de l'appareil sont :

| | |
|---|------------|
| Niveau de pression acoustique (Incertitude K=3dB(A))..... | 101 dB (A) |
| Niveau d'intensité acoustique (Incertitude K=3dB(A))..... | 112 dB (A) |

Toujours porter une protection acoustique!**Informations sur les vibrations**

Valeurs totales des vibrations (somme vectorielle de trois sens) établies conformément à EN 60745.

Visage à bloc des vis et des écrous de la dimension maximale

| | |
|---|-----------------------|
| Valeur d'émission vibratoire a _{h, ID} | 10,1 m/s ² |
| Incertitude K=..... | 1,5 m/s ² |

AVERTISSEMENT

Le niveau vibratoire indiqué dans ces instructions a été mesuré selon un procédé de mesure normalisé dans la norme EN 60745 et peut être utilisé pour comparer des outils électriques entre eux. Il convient aussi à une estimation provisoire de la sollicitation par les vibrations.

Le niveau vibratoire indiqué représente les applications principales de l'outil électrique. Toutefois, si l'outil électrique est utilisé pour d'autres applications, avec des outils rapportés qui diffèrent ou une maintenance insuffisante, il se peut que le niveau vibratoire diverge. Cela peut augmenter nettement la sollicitation par les vibrations sur tout l'intervalle de temps du travail.

Pour une estimation précise de la sollicitation par les vibrations, on devrait également tenir compte des temps pendant lesquels l'appareil n'est pas en marche ou tourne sans être réellement en service. Cela peut réduire nettement la sollicitation par les vibrations sur tout l'intervalle de temps du travail.

Définissez des mesures de sécurité supplémentaires pour protéger l'utilisateur contre l'influence des vibrations, comme par exemple : la maintenance de l'outil électrique et des outils rapportés, le maintien au chaud des mains, l'organisation des déroulements de travail.

AVIS! Lire complètement les instructions et les indications de sécurité. Le non-respect des avertissements et instructions indiqués ci après peut entraîner un choc électrique, un incendie et/ou de graves blessures sur les personnes.

Bien garder tous les avertissements et instructions.**INSTRUCTIONS DE SÉCURITÉ POUR VISSEUSE À CHOC**

Tenir l'appareil aux surfaces isolées faisant office de poignée pendant les travaux au cours desquels la vis peut toucher des lignes électriques dissimulées. Le contact de la vis avec un câble qui conduit la tension peut mettre des parties d'appareil en métal sous tension et mener à une décharge électrique.

Portez une protection acoustique. L'influence du bruit peut provoquer la surdité.

AVIS COMPLÉMENTAIRES DE SÉCURITÉ ET DE TRAVAIL

Utiliser l'équipement de protection. Toujours porter des lunettes de protection pendant le travail avec la machine. Il est recommandé de porter des articles de protection, tels que masque antipoussière, gants de protection, chaussures tenant bien aux pieds et antidérapantes, casque et protection acoustique.

Les poussières qui sont dégagées pendant les travaux sont souvent nocives pour la santé et ne devraient pas pénétrer dans le corps. Porter un masque de protection approprié contre les poussières.

Il est interdit de travailler des matériaux dangereux pour la santé (par ex. amiante).

Désactiver immédiatement le dispositif en cas de blocage ! Ne pas réactiver le dispositif avec l'outil bloqué; il y a le risque de provoquer un contre-coup avec moment de réaction élevé. Établir

et éliminer la cause du blocage de l'outil en prêtant attention aux consignes de sécurité.

Les causes possibles sont :

- Encastrement dans la pièce à travailler.
- Le dispositif a traversé le matériau à travailler en le cassant.
- Le dispositif électrique a été surchargé.

Ne pas approcher les mains de la partie en mouvement de la machine.

Durant l'utilisation, l'outil peut se surchauffer.

AVERTISSEMENT! Danger de brûlures

- durant le remplacement de l'outil
- durant la dépose de l'outil

Ne jamais enlever les copeaux ni les éclats lorsque la machine est en marche.

Lors du perçage dans les murs, les plafonds ou les planchers, toujours faire attention aux câbles électriques et aux conduites de gaz et d'eau.

Fixer fermement la pièce en exécution à l'aide d'un dispositif de serrage. Des pièces en exécution non fermement fixées peuvent provoquer des dommages et des lésions graves.

Avant tous travaux sur la machine retirer l'accu interchangeable.

Ne pas jeter les accus interchangeables usés au feu ou avec les déchets ménagers. Milwaukee offre un système d'évacuation écologique des accus usés.

Ne pas conserver les accus interchangeables avec des objets métalliques (risque de court-circuit)

Ne charger les accus interchangeables du système V-Tec qu'avec le chargeur d'accus du système V-Tec. Ne pas charger des accus d'autres systèmes.

Ne pas ouvrir les accus interchangeables et les chargeurs et ne les stocker que dans des locaux secs. Les protéger contre l'humidité.

En cas de conditions ou températures extrêmes, du liquide caustique peut s'échapper d'un accu interchangeable endommagé. En cas de contact avec le liquide caustique de la batterie, laver immédiatement avec de l'eau et du savon. En cas de contact avec les yeux, rincer soigneusement avec de l'eau et consulter immédiatement un médecin.

UTILISATION CONFORME AUX PRESCRIPTIONS

La visseuse à percussion à accu peut être utilisée de manière universelle pour visser et dévisser des vis et des écrous, indépendamment d'une prise de réseau.

Comme déjà indiqué, cette machine n'est conçue que pour être utilisée conformément aux prescriptions.

DÉCLARATION CE DE CONFORMITÉ

Nous déclarons sous notre propre responsabilité que le produit décrit aux "Données techniques" est conforme à toutes les dispositions des directives 2011/65/EU (RoHS), 2004/108/CE, 2006/42/CE et des documents normatifs harmonisés suivants:

EN 60745-1:2009 + A11:2010
 EN 60745-2-1:2010
 EN 60745-2-2:2010
 EN 55014-1:2006 + A1:2009 + A2:2011
 EN 55014-2:1997 + A1:2001 + A2:2008
 EN 50581:2012

Winnenden, 2014-09-03



Alexander Krug
 Managing Director



Bevollmächtigt die technischen Unterlagen zusammenzustellen

Techtronic Industries GmbH
 Max-Eyth-Straße 10
 71364 Winnenden
 Germany

ACCUS

Recharger les accus avant utilisation après une longue période de non utilisation.

Une température supérieure à 50°C amoindrit la capacité des accus. Éviter les expositions prolongées au soleil ou au chauffage.

Tenir propres les contacts des accus et des chargeurs.

Après l'usage, les accus doivent être chargés entièrement pour une durée de vie optimale.

Pour une plus longue durée de vie, enlever les batteries du chargeur de batterie quand celles-ci seront chargées.

En cas d'entreposage de la batterie pour plus de 30 jours: Entreposer la batterie à 27°C environ dans un endroit sec. Entreposer la batterie avec une charge d'environ 30% - 50%. Recharger la batterie tous les 6 mois.

PROTECTION DE L'ACCU CONTRE LES SURCHARGES

En cas de surcharge de l'accu suite à une consommation de courant très élevée, par exemple des couples extrêmement hauts, un coincement du foret, un arrêt soudain ou un court-circuit, l'outil électrique se met à bourdonner pendant 2 secondes et s'éteint automatiquement.

Pour le remettre en marche, il faut relâcher le poussoir de commutateur, puis l'enclencher à nouveau.

Il se peut que l'accu s'échauffe fortement s'il est soumis à des sollicitations extrêmes. Dans ce cas, il se déconnecte. Mettre alors l'accu en place dans le chargeur pour le recharger et l'activer.

ENTRETIEN

Utiliser uniquement les accessoires Milwaukee et les pièces détachées Milwaukee. Faire remplacer les composants dont le remplacement n'a pas été décrit, par un des centres de service après-vente Milwaukee (observer la brochure avec les adresses de garantie et de service après-vente).

En cas de besoin il est possible de demander un dessin éclaté du dispositif en indiquant le modèle de la machine et le numéro de six chiffres imprimé sur la plaquette de puissance et en s'adressant au centre d'assistance technique ou directement à Techtronic Industries GmbH, Max-Eyth-Straße 10, 71364 Winnenden, Germany.

TRANSPORT DE BATTERIES LITHIUM-ION

Les batteries lithium-ion sont soumises aux dispositions législatives concernant le transport de produits dangereux.

Le transport de ces batteries devra s'effectuer dans le respect des dispositions et des normes locales, nationales et internationales.

- Les utilisateurs peuvent transporter ces batteries sans restrictions.
- Le transport commercial de batteries lithium-ion est réglé par les dispositions concernant le transport de produits dangereux. La préparation au transport et le transport devront être effectués uniquement par du personnel formé de façon adéquate. Tout le procédé devra être géré d'une manière professionnelle.

Durant le transport de batteries il faut respecter les consignes suivantes :

- S'assurer que les contacts soient protégés et isolés en vue d'éviter des courts-circuits.
- S'assurer que le groupe de batteries ne puisse pas se déplacer à l'intérieur de son emballage.
- Des batteries endommagées ou des batteries perdant du liquide ne devront pas être transportées.

Pour tout renseignement complémentaire veuillez vous adresser à votre transporteur professionnel.

SYMBOLES

ATTENTION! AVERTISSEMENT! DANGER!



Avant tous travaux sur la machine retirer l'accu interchangeable.



Veuillez lire avec soin le mode d'emploi avant la mise en service



Les dispositifs électriques ne sont pas à éliminer dans les déchets ménagers. Les dispositifs électriques et électroniques sont à collecter séparément et à remettre à un centre de recyclage en vue de leur élimination dans le respect de l'environnement. S'adresser aux autorités locales ou au détaillant spécialisé en vue de connaître l'emplacement des centres de recyclage et des points de collecte.



Marque CE



Marque de qualité EurAsian

DATI TECNICI AVVITATORE A IMPULSI A BATTERIA HD 28 IW

| | |
|--|--------------------------|
| Numero di serie | 4313 03 01... |
| | ...000001-999999 |
| Attacco utensili | ■ 1/2" (13 mm) |
| Numero di giri a vuoto | 0-1450 min ⁻¹ |
| Percussione a pieno | 0-2450 min ⁻¹ |
| Momento torcente | 440 Nm |
| Massima dimensione viti / dadi | 1" (M25) |
| Tensione batteria | 28 V |
| Peso secondo la procedura EPTA 01/2003. (3,0 Ah) | 4,1 kg |

Informazioni sulla rumorosità

Valori misurati conformemente alla norma EN 60 745.
La misurazione A del livello di pressione acustica dell'utensile è di solito di:

| | |
|---|------------|
| Livello di rumorosità (Incertezza della misura K=3dB(A))..... | 101 dB (A) |
| Potenza della rumorosità (Incertezza della misura K=3dB(A)) | 112 dB (A) |

Utilizzare le protezioni per l'udito!**Informazioni sulle vibrazioni**

Valori totali delle oscillazioni (somma di vettori in tre direzioni) misurati conformemente alla norma EN 60745
Serraggio di viti e dadi di dimensioni massime

| | |
|---|-----------------------|
| Valore di emissione dell'oscillazione a _{h,10} | 10,1 m/s ² |
| Incertezza della misura K=..... | 1,5 m/s ² |

AVVERTENZA

Il livello di vibrazioni indicato nelle presenti istruzioni è stato misurato in conformità con un procedimento di misurazione codificato nella EN 60745 e può essere utilizzato per un confronto tra attrezzi elettrici. Inoltre si può anche utilizzare per una valutazione preliminare della sollecitazione da vibrazioni.

Il livello di vibrazioni indicato rappresenta le applicazioni principali dell'attrezzo elettrico. Se viceversa si utilizza l'attrezzo elettrico per altri scopi, con accessori differenti o con una manutenzione insufficiente, il livello di vibrazioni può risultare diverso. E questo può aumentare decisamente la sollecitazione da vibrazioni lungo l'intero periodo di lavorazione.

Ai fini di una valutazione precisa della sollecitazione da vibrazioni si dovrebbero tenere presente anche i periodi in cui l'apparecchio rimane spento oppure, anche se acceso, non viene effettivamente utilizzato. Ciò può ridurre notevolmente la sollecitazione da vibrazioni lungo l'intero periodo di lavorazione.

Stabilite misure di sicurezza supplementari per la tutela dell'operatore dall'effetto delle vibrazioni, come ad esempio: manutenzione dell'attrezzo elettrico e degli accessori, riscaldamento delle mani, organizzazione dei processi di lavoro.

AVVERTENZA! Leggere tutte le istruzioni ed indicazioni di sicurezza. In caso di mancato rispetto delle avvertenze di pericolo e delle istruzioni operative si potrà creare il pericolo di scosse elettriche, incendi e/o incidenti gravi.
Conservare tutte le avvertenze di pericolo e le istruzioni operative per ogni esigenza futura.

INDICAZIONI DI SICUREZZA PER AVVITATORE A IMPULSI

Quando si svolge un'operazione in cui la vite potrebbe entrare in contatto con condutture elettriche nascoste impugnare l'apparecchio afferrandolo per le superfici isolate. La vite che entra in contatto con una conduttura in tensione può mettere sotto tensione le parti metalliche dell'apparecchio e causare scosse elettriche.

Indossare protezioni acustiche adeguate. L'esposizione prolungata al rumore senza protezione può causare danni all'udito.

ULTERIORI AVVISI DI SICUREZZA E DI LAVORO

Usare dispositivi di protezione. Durante il lavoro con la macchina bisogna sempre portare occhiali di protezione. Si consiglia di indossare indumenti di protezione come maschera antipolvere, guanti di protezione, scarpe antiscivolo robuste, casco e cuffie di protezione acustica.

La polvere che si produce durante il lavoro è spesso dannosa per la salute e non dovrebbe essere aspirata. Portare un'adeguata mascherina protettiva.

E' vietato lavorare materiali che possono costituire pericoli alla salute (ad es. amianto).

Spegnere immediatamente il dispositivo in caso di bloccaggio! Non riaccendere il dispositivo fino a quando l'utensile ad inserto resta bloccato; esiste il rischio di

causare un contraccolpo con elevato momento di reazione. Rilevare ed eliminare la causa del bloccaggio dell'utensile ad inserto tenendo conto delle indicazioni di sicurezza.

Le possibili cause sono:

- Incastro nel pezzo in lavorazione
- Il dispositivo ha attraversato il materiale da lavorare rompendolo
- Il dispositivo elettrico è stato sovraccaricato

Non avvicinare le mani alla parte della macchina in movimento.

Durante l'uso l'utensile ad inserto può surriscaldarsi.

- AVVERTENZA!** Pericolo di ustioni
- durante la sostituzione dell'utensile
 - durante il deposito dell'utensile

Non rimuovere trucioli o schegge mentre l'utensile è in funzione.

Forando pareti, soffitti o pavimenti, si faccia attenzione ai cavi elettrici e alle condutture dell'acqua e del gas.

Fissare in sicurezza il pezzo in lavorazione con un dispositivo di serraggio. Pezzi in lavorazione che non siano fissati in sicurezza possono causare gravi lesioni e danni.

Prima di iniziare togliere la batteria dalla macchina.

Non gettare le batterie esaurite sul fuoco o nella spazzatura di casa. La Milwaukee offre infatti un servizio di recupero batterie usate.

Nel vano d'innesto per la batteria del caricatore non devono entrare parti metalliche. (pericolo di cortocircuito).

Le batterie del System V-Tec sono ricaricabili esclusivamente con i caricatori del System V-Tec. Le batterie di altri sistemi non possono essere ricaricate.

Non aprire né la batteria né il caricatore e conservarli solo in luogo asciutto. Proteggerli dalla umidità.

Nel caso di batterie danneggiate da un carico eccessivo o da temperature alte, l'acido di queste potrebbe fuoriuscire. In caso di contatto con l'acido delle batterie lavarsi immediatamente con acqua e sapone. In caso di contatto con gli occhi risciacquare immediatamente con acqua per almeno 10 minuti e contattare subito un medico.

UTILIZZO CONFORME

L'avvitatrice a percussione è un attrezzo universale per fissare e staccare viti, bulloni e dadi in luoghi dove non c'è corrente elettrica.

Utilizzare il prodotto solo per l'uso per cui è previsto.

DICHIARAZIONE DI CONFORMITÀ CE

Dichiaro sotto la nostra esclusiva responsabilità che il prodotto descritto ai "Dati tecnici" corrisponde a tutte le disposizioni delle direttive 2011/65/EU (RoHS), 2004/108/CE, 2006/42/CE e successivi documenti normativi armonizzati:

EN 60745-1:2009 + A1:2010
EN 60745-2-1:2010
EN 60745-2-2:2010
EN 55014-1:2006 + A1:2009 + A2:2011
EN 55014-2:1997 + A1:2001 + A2:2008
EN 50581:2012

Winnenden, 2014-09-03



Alexander Krug
Managing Director



Autorizzato alla preparazione della documentazione tecnica

Techtronic Industries GmbH
Max-Eyth-Straße 10
71364 Winnenden
Germany

BATTERIE

Batterie non utilizzate per molto tempo devono essere ricaricate prima dell'uso.

A temperature superiori ai 50°C, la potenza della batteria si riduce.

Evitare di esporre l'accumulatore a surriscaldamento prolungato, dovuto ad esempio ai raggi del sole o ad un impianto di riscaldamento.

Per una durata di vita ottimale, dopo l'uso le batterie devono essere completamente ricaricate.

Per una più lunga durata, rimuovere le batterie dal caricabatterie quando saranno cariche.

In caso di immagazzinaggio della batteria per più di 30 giorni:

Immagazzinare la batteria a circa 27°C in ambiente asciutto. Immagazzinare la batteria con carica di circa il 30% - 50%. Ricaricare la batteria ogni 6 mesi.

DISPOSITIVO ANTISOVRACCARICO ACCUMULATORE

In caso di sovraccarico dell'accumulatore dovuto a consumo molto elevato di corrente, ad es. coppie di serraggio estremamente elevate, bloccaggio della punta, arresto improvviso o cortocircuito, l'elettrotensile romba per 2 secondi e poi si spegne automaticamente.

Per riaccenderlo, rilasciare l'interruttore e poi riaccenderlo. Se sottoposto a carichi estremi, l'accumulatore può surriscaldarsi. In questo caso l'accumulatore si spegne. Inserire l'accumulatore nell'apparecchio carica-batterie per ricaricarlo e attivarlo.

MANUTENZIONE

Usare solo accessori Milwaukee e pezzi di ricambio Milwaukee. Gruppi costruttivi la cui sostituzione non è stata descritta, devono essere fatti cambiare da un punto di servizio di assistenza tecnica al cliente Milwaukee (vedi depliant garanzia/indirizzi assistenza tecnica ai clienti).

In caso di necessità è possibile richiedere un disegno esploso del dispositivo indicando il modello della macchina ed il numero a sei cifre sulla targa di potenza rivolgendosi al centro di assistenza tecnica o direttamente a Techtronic Industries GmbH, Max-Eyth-Straße 10, 71364 Winnenden, Germany.

TRASPORTO DI BATTERIE AGLI IONI DI LITIO

Le batterie agli ioni di litio sono soggette alle disposizioni di legge sul trasporto di merce pericolosa.

Il trasporto di queste batterie deve avvenire rispettando le disposizioni e norme locali, nazionali ed internazionali.

- Gli utilizzatori possono trasportare queste batterie su strada senza alcuna restrizione.
- Il trasporto commerciale di batterie agli ioni di litio è regolato dalle disposizioni sul trasporto di merce pericolosa. Le preparazioni al trasporto ed il trasporto stesso devono essere svolti esclusivamente da persone idoneamente istruite. Tutto il processo deve essere gestito in maniera professionale.

Durante il trasporto di batterie occorre tenere conto di quanto segue:

- Assicurarsi che i contatti siano protetti ed isolati per evitare corto circuiti.
- Accertarsi che il gruppo di batterie non possa spostarsi all'interno dell'imballaggio.
- Batterie danneggiate o batterie che perdono liquido non devono essere trasportate.

Per ulteriori informazioni si prega di contattare il proprio trasportatore.

SIMBOLI

ATTENZIONE! AVVERTENZA! PERICOLO!



Prima di iniziare togliere la batteria dalla macchina.



Leggere attentamente le istruzioni per l'uso prima di mettere in funzione l'elettrotensile.



I dispositivi elettrici non devono essere smaltiti con i rifiuti domestici. I dispositivi elettrici ed elettronici devono essere raccolti separatamente e devono essere conferiti ad un centro di riciclaggio per lo smaltimento rispettoso dell'ambiente. Chiedete alle autorità locali o al rivenditore specializzato dove si trovano i centri di riciclaggio e i punti di raccolta.



Marchio CE

Marchio di conformità EurAsian

DATOS TÉCNICOS ATORNILLADOR DE IMPACTO A BATERÍA HD 28 IW

| | |
|--|-----------------------------------|
| Número de producción | 4313 03 01... ...000001-999999 |
| Inserción de herramientas | ■ 1/2" (13 mm) |
| Velocidad en vacío | 0-1450 min ⁻¹ |
| Frecuencia de impactos | 0-2450 min ⁻¹ |
| Par | 440 Nm |
| tamaño máximo de tornillo / de tuerca | 1" (M25) |
| Voltaje de batería..... | 28 V |
| Peso de acuerdo con el procedimiento EPTA 01/2003 (3,0 Ah) | 4,1 kg |

Información sobre ruidos

Determinación de los valores de medición según norma EN 60 745.

El nivel de ruido típico del aparato determinado con un filtro

A corresponde a:

| | |
|--|------------|
| Presión acústica (Tolerancia K=3dB(A))..... | 101 dB (A) |
| Resonancia acústica (Tolerancia K=3dB(A))..... | 112 dB (A) |

Usar protectores auditivos!**Informaciones sobre vibraciones**

Nivel total de vibraciones (suma vectorial de tres direcciones) determinado según EN 60745.

Apretar tornillos y tuercas de tamaño máximo

| | |
|--|-----------------------|
| Valor de vibraciones generadas a $a_{h, ID}$ | 10,1 m/s ² |
| Tolerancia K=..... | 1,5 m/s ² |

ADVERTENCIA

El nivel vibratorio indicado en estas instrucciones ha sido medido conforme a un método de medición estandarizado en la norma EN 60745, y puede utilizarse para la comparación entre herramientas eléctricas. También es apropiado para una estimación provisional de la carga de vibración.

El nivel vibratorio indicado representa las aplicaciones principales de la herramienta eléctrica. Si, pese a ello, se utiliza la herramienta eléctrica para otras aplicaciones, con útiles adaptables diferentes o con un mantenimiento insuficiente, el nivel vibratorio puede diferir. Esto puede incrementar sensiblemente la carga de vibración durante todo el periodo de trabajo.

Para una estimación exacta de la carga de vibración deberían tenerse en cuenta también los tiempos durante los que el aparato está apagado o, pese a estar en funcionamiento, no está siendo realmente utilizado. Esto puede reducir sustancialmente la carga de vibración durante todo el periodo de trabajo.

Adopte medidas de seguridad adicionales para la protección del operador frente al efecto de las vibraciones, como por ejemplo: mantenimiento de la herramienta eléctrica y de los útiles adaptables, mantener las manos calientes, organización de los procesos de trabajo.

⚠ ATENCIÓN: Lea atentamente las indicaciones e

instrucciones de seguridad. En caso de no atenderse a las advertencias de peligro e instrucciones siguientes, ello puede ocasionar una descarga eléctrica, un incendio y/o lesión grave. **Guardar todas las advertencias de peligro e instrucciones para futuras consultas.**

⚠ INSTRUCCIONES DE SEGURIDAD PARA ATORNILLADOR DE IMPACTO

Sujete el aparato por las superficies de sujeción aisladas cuando realice trabajos en los que el tornillo puede alcanzar líneas de corriente eléctrica ocultas. El contacto del tornillo con una línea conductora de corriente puede poner las partes metálicas del aparato bajo tensión y provocar un choque eléctrico.

¡Utilice protección auditiva! La exposición a niveles de ruido excesivos puede causar pérdida de audición

INSTRUCCIONES ADICIONALES DE SEGURIDAD Y LABORALES

Utilice el equipamiento de protección. Mientras trabaje con la máquina lleve siempre gafas protectoras. Se recomienda utilizar ropa de protección como máscara protectora contra el polvo, guantes protectores, calzado resistente y antideslizante, casco y protección para los oídos.

El polvo que se produce durante estos trabajos puede ser nocivo a la salud; es por ello aconsejable que no penetre al cuerpo. Utilice por ello una máscara protectora contra polvo.

No se deben trabajar materiales que conlleven un riesgo para la salud (por ej. amianto).

¡En caso de que se bloquee el útil, el aparato se debe desconectar inmediatamente! No vuelva a conectar el aparato, mientras el útil está bloqueado; se podría producir un rechazo debido a la

reacción de retroceso brusca. Averigüe y elimine la causa del bloqueo del útil, teniendo en cuenta las indicaciones de seguridad.

Causas posibles para ello pueden ser:

- Atascamiento o bloqueo en la pieza de trabajo
- Rotura del material con el que está trabajando
- Sobrecarga de la herramienta eléctrica

No introduzca las manos en la máquina mientras ésta se encuentra en funcionamiento.

El útil se puede calentar durante el uso.

ADVERTENCIA! Peligro de quemaduras

- en caso de cambiar la herramienta
- en caso de depositar el aparato

Nunca se debe intentar limpiar el polvo o viruta procedente del taladrado con la máquina en funcionamiento.

Para trabajar en paredes, techo o suelo, tenga cuidado para evitar los cables eléctricos y tuberías de gas o agua.

Fije la pieza de trabajo con un dispositivo de fijación. Las piezas de trabajo no fijadas pueden causar lesiones graves y deterioros.

Retire la batería antes de comenzar cualquier trabajo en la máquina.

No tire las baterías usadas a la basura ni al fuego. Los Distribuidores Milwaukee ofrecen un servicio de recogida de baterías antiguas para proteger el medio ambiente.

No almacene la batería con objetos metálicos (riesgo de cortocircuito).

Recargar solamente los acumuladores del Sistema V-Tec en cargadores V-Tec. No intentar recargar acumuladores de otros sistemas.

No abra nunca las baterías ni los cargadores y guárdelos sólo en lugares secos. Protéjalos de la humedad en todo momento.

En caso de sobrecarga o alta temperatura, pueden llegar a producirse escapes de ácido provenientes de la batería. En caso de contacto con éste, limpie inmediatamente la zona con agua y jabón. Si el contacto es en los ojos, límpiense concienzudamente con agua durante 10 minutos y acuda inmediatamente a un médico

APLICACIÓN DE ACUERDO A LA FINALIDAD

El destornillador de golpe de acumulador puede emplearse de manera universal para fijar y soltar tornillos y tuercas, siendo independiente de una conexión a la red.

No utilice este producto para ninguna otra aplicación que no sea su uso normal.

DECLARACION DE CONFORMIDAD CE

Declaramos bajo nuestra responsabilidad que el producto descrito bajo "Datos técnicos" está en conformidad con todas las normas relevantes de la directiva 2011/65/EU (RoHS), 2004/108/CE, 2006/42/CE y con las siguientes normas o documentos normalizados:

- EN 60745-1:2009 + A11:2010
- EN 60745-2-1:2010
- EN 60745-2-2:2010
- EN 55014-1:2006 + A1:2009 + A2:2011
- EN 55014-2:1997 + A1:2001 + A2:2008
- EN 50581:2012

Winnenden, 2014-09-03



Alexander Krug
Managing Director



Autorizado para la redacción de los documentos técnicos.

Techtronic Industries GmbH
Max-Eyth-Straße 10
71364 Winnenden
Germany

BATERÍA

Las baterías no utilizadas durante cierto tiempo deben ser recargadas antes de usar.

Las temperaturas superiores a 50°C reducen el rendimiento de la batería. Evite una exposición excesiva a fuentes de calor o al sol (riesgo de sobrecalentamiento).

Los puntos de contacto de los cargadores y las baterías se deben mantener limpios.

Para un tiempo de vida óptimo, deberán cargarse completamente las baterías después de su uso.

Para garantizar la máxima capacidad y vida útil, las baterías recargables se deberían retirar del cargador una vez finalizada la carga.

En caso de almacenar la batería recargable más de 30 días: Almacenar la batería recargable en un lugar seco a una temperatura de aproximadamente 27°C.

Almacenar la batería recargable con un estado de carga del 30% a 50% aproximadamente.

Recargar la batería cada 6 meses.

PROTECCIÓN CONTRA SOBRECARGA DE LA BATERÍA

En caso de sobrecarga del acumulador por consumo muy elevado de corriente, por ej. debido a pares muy elevados, agarrotamiento del taladro, parada repentina o cortocircuito, la herramienta eléctrica zumbará durante 2 segundos y se desconectará automáticamente.

Para reconectarla, liberar primero el gatillo interruptor y después conectarla de nuevo.

Bajo cargas extremas, el acumulador se puede calentar mucho. En este caso desconectar el acumulador.

Meta entonces la batería en el cargador para recargarla otra vez y activarla.

MANTENIMIENTO

Utilice solamente accesorios y repuestos Milwaukee. En caso de necesitar reemplazar componentes no descritos, contacte con cualquiera de nuestras estaciones de servicio Milwaukee (consultar lista de servicio técnicos)

Puede solicitar, en caso necesario, una vista despiezada del aparato bajo indicación del tipo de máquina y el número de seis dígitos en la placa indicadora de potencia en su Servicio de Postventa o directamente en Techtronic Industries GmbH, Max-Eyth-Straße 10, 71364 Winnenden, Germany.

TRANSPORTE DE BATERÍAS DE IONES DE LITIO

Las baterías de iones de litio caen bajo las disposiciones legales relativas al transporte de mercancías peligrosas.

El transporte de estas baterías recargables debe llevarse a cabo, observando las normas y disposiciones locales, nacionales e internacionales.

- Los consumidores pueden transportar estas baterías recargables sin el menor reparo en la calle.
- El transporte comercial de baterías recargables de iones de litio por empresas de transportes está sometido a las disposiciones del transporte de mercancías peligrosas. Las preparaciones para el envío y el transporte deben ser llevados a cabo exclusivamente por personas instruidas adecuadamente. El proceso completo debe ser supervisado por personal competente.

Los siguientes puntos se deben observar para el transporte de las baterías recargables:

- Se debe asegurar que los contactos estén protegidos y aislados para evitar que se produzcan cortocircuitos.
- Preste atención a que el conjunto de baterías recargables no se pueda desplazar dentro del envase.
- Las baterías recargables deterioradas o derramadas no se deben transportar.

Rogamos que para cualquier información adicional se dirija a su empresa de transportes.

SÍMBOLOS

¡ATENCIÓN! ¡ADVERTENCIA! ¡PELIGRO!



Retire la batería antes de comenzar cualquier trabajo en la máquina.



Lea las instrucciones detenidamente antes de conectar la herramienta



Los aparatos eléctricos no se deben eliminar junto con la basura doméstica.

Los aparatos eléctricos y electrónicos se deben recoger por separado y se deben entregar a una empresa de reciclaje para una eliminación respetuosa con el medio ambiente.

Infórmese en las autoridades locales o en su tienda especializada sobre los centros de reciclaje y puntos de recogida.



Marca CE



Certificado EAC de conformidad

| | |
|--|-----------------------------------|
| Número de produção..... | 4313 03 01... ...000001-999999 |
| Recepção de pontas..... | ■ 1/2" (13 mm) |
| Nº de rotações em vazio..... | 0-1450 min ⁻¹ |
| Frequência de percussão..... | 0-2450 min ⁻¹ |
| Binário..... | 440 Nm |
| Tamanho máximo do parafuso / porca..... | 1" (M25) |
| Tensão do acumulador..... | 28 V |
| Peso nos termos do procedimento-EPTA 01/2003 (3,0 Ah)..... | 4,1 kg |

Informações sobre ruído

Valores de medida de acordo com EN 60 745.

O nível de ruído avaliado A do aparelho é tipicamente:

| | |
|---|------------|
| Nível da pressão de ruído (Incertez K=3dB(A))..... | 101 dB (A) |
| Nível da potência de ruído (Incertez K=3dB(A))..... | 112 dB (A) |

Use protectores auriculares!

Informações sobre vibração

Valores totais de vibração (soma dos vectores das três direcções) determinadas conforme EN 60745.

Apertar parafusos e porcas com o tamanho máximo

| | |
|--|-----------------------|
| Valor de emissão de vibração a _{r,LD} | 10,1 m/s ² |
| Incerteza K=..... | 1,5 m/s ² |

ATENÇÃO

O nível vibratório indicado nestas instruções foi medido em conformidade com um procedimento de medição normalizado na EN 60745 e pode ser utilizado para comparar entre si ferramentas eléctricas. O mesmo é também adequado para avaliar provisoriamente o esforço vibratório.

O nível vibratório indicado representa as principais aplicações da ferramenta eléctrica. Se, no entanto, a ferramenta eléctrica for utilizada para outras aplicações, com outras ferramentas adaptadas ou uma manutenção insuficiente, o nível vibratório poderá divergir. Isto pode aumentar consideravelmente o esforço vibratório ao longo de todo o período do trabalho.

Para uma avaliação exacta do esforço vibratório devem também ser considerados os tempos durante os quais o aparelho está desligado ou está a funcionar, mas não está efectivamente a ser utilizado. Isto pode reduzir consideravelmente o esforço vibratório ao longo de todo o período do trabalho.

Defina medidas de segurança suplementares para proteger o operador do efeito das vibrações, como por exemplo: manutenção da ferramenta eléctrica e das ferramentas adaptadas, manter as mãos quentes, organização das sequências de trabalho.

⚠️ ADVERTÊNCIA! Leia todas as instruções de segurança e todas as instruções. O desrespeito das advertências e instruções apresentadas abaixo pode causar choque eléctrico, incêndio e/ou graves lesões. **Guarde bem todas as advertências e instruções para futura referência.**

⚠️ INSTRUÇÕES DE SEGURANÇA PARA APARAFUSADORA DE IMPACTO

Segure o aparelho pela superfície isoladora do punho, se executar trabalhos nos quais o parafuso possa tocar em linhas eléctricas ocultas. O contacto do parafuso com uma linha sob tensão pode também colocar peças metálicas do aparelho sob tensão e provocar um choque eléctrico.

Sempre use a protecção dos ouvidos. A influência de ruídos pode causar surdez.

INSTRUÇÕES DE SEGURANÇA E TRABALHO SUPLEMENTARES

Utilizar equipamento de protecção. Durante os trabalhos com a máquina, usar sempre óculos de protecção. Vestuário de protecção, bem como máscara de pó, sapatos fechados e antiderrapante, capacete e protecção auditiva são recomendados.

O pó que resulta ao trabalhar pode ser nocivo para a saúde, por isso não devendo penetrar no corpo. Use uma máscara de protecção contra pó apropriada.

Não devem ser processados materiais que representem um perigo para a saúde (p. ex. asbesto).

Desligue o aparelho imediatamente, quando a ferramenta de inserção bloquear! Não ligue o aparelho novamente durante o bloqueio da ferramenta de inserção, pois isso

pode levar a um recuo repentino com uma alta força reactiva. Verifique e elimine a causa do bloqueio da ferramenta de inserção, observando as instruções de segurança.

Causas possíveis podem ser:

- Emperramento na peça a trabalhar
- Material a processar rompido
- Sobrecarga da ferramenta eléctrica

Não toque na máquina em operação.

A ferramenta de inserção pode ficar quente durante a operação.

ATENÇÃO! Perigo de queimar-se

- na troca das ferramentas
- ao depositar o aparelho

Não remover aparas ou lascas enquanto a máquina trabalha.

Ao trabalhar em paredes, tectos e soalhos prestar atenção a que não sejam atingidos cabos eléctricos e canalizações de gás e água.

Fixe a peça a trabalhar com um dispositivo de fixação. Peças a trabalhar não fixadas podem levar a feridas graves e danos sérios.

Antes de efectuar qualquer intervenção na máquina retirar o bloco acumulador.

Não queimar acumuladores gastos nem deitá-los no lixo doméstico. A Milwaukee possui uma eliminação de acumuladores gastos que respeita o meio ambiente.

Não guardar acumuladores junto com objectos metálicos (perigo de curto-circuito).

Use apenas carregadores do Sistema V-Tec para recarregar os acumuladores do Sistema V-Tec. Não utilize acumuladores de outros sistemas.

Carregadores só devem ser utilizados em recintos secos.

Em caso de cargas ou temperaturas extremas, um acumulador de substituição danificado poderá verter líquido de bateria. Se entrar em contacto com este líquido, deverá lavar-se imediatamente com água e sabão. Em caso de contacto com os olhos, enxágue-os bem e de imediato durante pelo menos 10 minutos e consulte um médico o mais depressa possível.

UTILIZAÇÃO AUTORIZADA

A aparafusadora de percussão sem cabo pode ser utilizada universalmente para fixar e soltar parafusos e porcas, independente de alguma ligação à rede.

Não use este produto de outra maneira sem ser a normal para o qual foi concebido.

DECLARAÇÃO DE CONFORMIDADE CE

Declaramos sob responsabilidade exclusiva, que o produto descrito sob "Dados técnicos" corresponde com todas as disposições relevantes da diretiva 2011/65/EU (RoHS), 2004/108/CE, 2006/42/CE e dos seguintes documentos normativos harmonizados.

- EN 60745-1:2009 + A11:2010
- EN 60745-2-1:2010
- EN 60745-2-2:2010
- EN 55014-1:2006 + A1:2009 + A2:2011
- EN 55014-2:1997 + A1:2001 + A2:2008
- EN 50581:2012

Winnenden, 2014-09-03

Alexander Krug

Alexander Krug
Managing Director



Autorizado a reunir a documentação técnica.

Techtronic Industries GmbH
Max-Eyth-Straße 10
71364 Winnenden
Germany

ACUMULADOR

Acumuladores não utilizados durante algum tempo devem ser recarregados antes da sua utilização.

Temperaturas acima de 50°C reduzem a capacidade do bloco acumulador. Evitar exposição prolongada ao sol ou a caloríferos.

Manter limpos os contactos eléctricos no carregador e no bloco acumulador.

Para uma vida útil óptima dos acumuladores, terá que carregá-los plenamente após a sua utilização.

Para assegurar uma vida útil longa, o pacote de bateria deve ser removido da carregadora depois do carregamento.

Se o pacote de bateria for armazenado por mais de 30 dias: Armazene o pacote de bateria com aprox. 27°C em um lugar seco.

Armazene o pacote de bateria com aprox. 30%-50% da carga completa.

Carregue o pacote de bateria novamente de 6 em 6 meses.

PROTECÇÃO DE SOBRECARGA DE BATERIA

No caso de sobrecarga da bateria devido a um consumo de corrente demasiado elevado, por exemplo um binário de rotação extremamente elevado, um bloqueio da broca, uma paragem repentina ou um curto-circuito, a ferramenta eléctrica vibra durante 2 segundos e desliga-se automaticamente.

Para a ligar novamente, desligar e voltar a ligar o interruptor. Sob condições extremas, a bateria pode aquecer demasiado. Neste caso a bateria desliga-se.

Voltar então a colocar o acumulador no carregador para o carregar de novo e para assim o activar.

MANUTENÇÃO

Utilizar apenas acessórios Milwaukee e peças sobresselentes Milwaukee. Os componentes cuja substituição não esteja descrita devem ser substituídos num serviço de assistência técnica Milwaukee (consultar a brochura relativa à garantia/moradas dos serviços de assistência técnica).

Se for necessário, um desenho de explosão do aparelho pode ser solicitado do seu posto de assistência ao cliente ou directamente da Techtronic Industries GmbH, Max-Eyth-Straße 10, 71364 Winnenden, Alemanha, indicando o tipo da máquina e o número de seis posições na chapa indicadora da potência.

TRANSPORTE DE BATERIAS DE IÃO-LÍLIO

Baterias de ião-lítio estão sujeitas às disposições da legislação relativa às substâncias perigosas.

O transporte destas baterias deve ser efectuado de acordo com as disposições e os regulamentos locais, nacionais e internacionais.

- O utilizador pode efectuar o transporte rodoviário destas baterias sem restrições.
- O transporte comercial de baterias de ião-lítio por terceiros está sujeito aos regulamentos relativos às substâncias perigosas. A preparação do transporte e o transporte devem ser executados exclusivamente por pessoas instruídas e o processo deve ser acompanhado pelos especialistas correspondentes.

Observe o seguinte no transporte de baterias:

- Assegure-se de que os contactos terminais estejam protegidos e isolados para evitar um curto-circuito.
- Assegure-se de que o bloco da bateria esteja protegido contra movimentos na embalagem.
- Não transporte baterias danificadas ou que tenham fuga.

Para instruções mais detalhadas consulte a companhia de transportes

SYMBOLE



ATENÇÃO! PERIGO!



Antes de efectuar qualquer intervenção na máquina retirar o bloco acumulador.



Leia atentamente o manual de instruções antes de colocar a máquina em funcionamento.



Aparelhos eléctricos não devem ser jogados no lixo doméstico. Aparelhos eléctricos e electrónicos devem ser colectados separadamente e entregues a uma empresa de reciclagem para a eliminação correcta. Solicite informações sobre empresas de reciclagem e postos de colecta de lixo das autoridades locais ou do seu vendedor autorizado.



Marca CE

Marca de conformidade EurAsian.

| | |
|--|--------------------------|
| Productienummer | 4313 03 01... |
| | ...000001-999999 |
| Werktuigoopname | ■ 1/2" (13 mm) |
| Onbelast toerental | 0-1450 min ⁻¹ |
| Aantal slagen | 0-2450 min ⁻¹ |
| Draaimoment | 440 Nm |
| Maximale schroefgrootte / moergrootte | 1" (M25) |
| Spanning wisselakku | 28 V |
| Gewicht volgens de EPTA-procedure 01/2003 (3,0 Ah) | 4,1 kg |

Geluidsinformatie

Meetwaarden vastgesteld volgens EN 60 745.
Het kenmerkende A-gewogen geluidsniveau van de machine bedraagt:

| | |
|---|------------|
| Geluidsdrukniveau (Onzekerheid K=3dB(A)) | 101 dB (A) |
| Geluidsvermogeniveau (Onzekerheid K=3dB(A)) | 112 dB (A) |

Draag oorbeschermers!

Trillingsinformatie

Totale trillingswaarden (vectorsom van drie richtingebepaald volgens EN 60745.

Vastdraaien van schroeven en moeren van maximale grootte

| | |
|---|-----------------------|
| Trillingsemisiewaarde a _{h,10} | 10,1 m/s ² |
| Onzekerheid K= | 1,5 m/s ² |

WAARSCHUWING

De in deze aanwijzingen vermelde trillingsdruk is gemeten volgens een in EN 60745 genormeerde meetmethode en kan worden gebruikt voor de onderlinge vergelijking van apparaten. Hij is ook geschikt voor een voorlopige inschatting van de trillingsbelasting.

De aangegeven trillingsdruk geldt voor de meest gebruikelijke toepassingen van het elektrische apparaat. Wanneer het elektrische gereedschap echter voor andere doeleinden, met andere dan de voorgeschreven hulpstukken gebruikt of niet naar behoren onderhouden wordt, kan de trillingsdruk afwijken. Dit kan de waarde van de trillingsdruk over de hele werkperiode aanzienlijk verhogen.

Voor een nauwkeurige inschatting van de trillingsdruk moeten ook de tijden in aanmerking worden genomen dat het apparaat uitgeschakeld is of weliswaar loopt, maar niet werkelijk in gebruik is. Dit kan de waarde van de trillingsdruk over de hele werkperiode aanzienlijk verminderen.

Bepaal extra veiligheidsmaatregelen ter bescherming van de bediener tegen de inwerking van trillingen, bijvoorbeeld: onderhoud van elektrische gereedschappen en apparaten, warmhouden van de handen, organisatie van de werkprocessen.

WAARSCHUWING! Lees alle veiligheidsinstructies en aanwijzingen. Als de waarschuwingen en voorschriften niet worden opgevolgd, kan dit een elektrische schok, brand of ernstig letsel tot gevolg hebben.

Bewaar alle waarschuwingen en voorschriften voor toekomstig gebruik.

VEILIGHEIDSINSTRUCTIES VOOR SLAGMOERSLEUTEL

Houd het apparaat alléén vast aan de geïsoleerde grijpvlakken als u werkzaamheden uitvoert waarbij de schroef verborgen stroomleidingen zou kunnen raken. Het contact van de schroef met een spanningvoerende leiding kan de metalen apparaatdelen onder spanning zetten en zo tot een elektrische schok leiden.

Draag oorbeschermers. Blootstelling aan geluid kan het gehoor beschadigen.

VERDERE VEILIGHEIDS- EN WERKINSTRUCTIES

Draag veiligheidsuitrusting. Bij werkzaamheden met de machine dient u altijd een veiligheidsbril te dragen. Veiligheidskleding zoals stofmasker, veiligheidshandschoenen, stevig en slipvast schoeisel, helm en gehoorbescherming worden aanbevolen.

Het gedurende het werken vrijkomende stof is doorgaans schadelijk voor de gezondheid en mag niet met het lichaam in aanraking komen. Draag derhalve een geschikt stofbeschermsmasker.

Het is niet toegestaan, materialen te bewerken waarvan een gezondheidsgevaar uitgaat (bijv. asbest).

Schakel het apparaat onmiddellijk uit als het gereedschap blokkeert! Schakel het apparaat niet in zolang het

gereedschap geblokkeerd is; dit zou een terugslag met een hoog reactiemoment kunnen veroorzaken. Achterhaal en verhelp de oorzaak voor de blokkering van het gereedschap met inachtneming van de veiligheidsinstructies.

Mogelijke oorzaken voor de blokkering:

- kantelen in het te bewerken werkstuk
- doorbreken van het te bewerken materiaal
- overbelasting van het elektrische gereedschap

Grijp niet in de lopende machine.

Het gereedschap kan heet worden tijdens het gebruik.

WAARSCHUWING! Gevaar voor verbranding

- bij het vervangen van het gereedschap
- bij het neerleggen van het apparaat

Spanen of splinters mogen bij draaiende machine niet worden verwijderd.

Bij het werken in wanden, plafonds of vloeren oppassen voor elektriciteitsdraden, gas- of waterleidingen.

Borg uw werkstuk met behulp van een spaninrichting. Niet geborgde werkstukken kunnen ernstig letsel en grote schade veroorzaken.

Voor alle werkzaamheden aan de machine de akku verwijderen.

Verbruikte akku's niet in het vuur of bij het huisvuil werpen. Milwaukee biedt namelijk een milieuvriendelijke recyclingmethode voor uw oude akku's.

Wisselakku's niet bij metalen voorwerpen bewaren (kortsluitingsgevaar!).

Wisselakku's van het Akku-Systeem V-Tec alléén met laadapparaten van het Akku-Systeem V-Tec laden. Geen akku's van andere systemen laden.

Wisselakku's en laadapparaten niet openen en alleen in droge ruimtes opslaan. Tegen vocht beschermen.

Onder extreme belasting of extreme temperaturen kan uit de accu accu-vloeistof lopen. Na contact met accu-vloeistof direct afwassen met water en zeep. Bij oogcontact direct minstens 10 minuten grondig spoelen en onmiddellijk een arts raadplegen.

VOORGESCHREVEN GEBRUIK VAN HET SYSTEEM

De accu-slagschroevendraaier is universeel en onafhankelijk van het stroomnet toepasbaar voor het in- en uitdraaien van schroeven en het los- en aandraaien van moeren

Dit apparaat uitsluitend gebruiken voor normaal gebruik, zoals aangegeven.

EC - VERKLARING VAN OVEREENSTEMMING

Wij verklaren in uitsluitende verantwoording dat het onder 'Technische gegevens' beschreven product overeenstemt met alle relevante voorschriften van de richtlijn 2011/65/EU (RoHS), 2004/108/EG, 2006/42/EG en de volgende geharmoniseerde normatieve documenten:

- EN 60745-1:2009 + A11:2010
- EN 60745-2-1:2010
- EN 60745-2-2:2010
- EN 55014-1:2006 + A1:2009 + A2:2011
- EN 55014-2:1997 + A1:2001 + A2:2008
- EN 50581:2012

Winnenden, 2014-09-03

Alexander Krug

Alexander Krug
Managing Director



Gemachtigd voor samenstelling van de technische documenten

Techtronic Industries GmbH
Max-Eyth-Straße 10
71364 Winnenden
Germany

AKKU

Langere tijd niet toegepaste wisselakku's vóór gebruik altijd naladen.

Een temperatuur boven de 50°C vermindert de capaciteit van de accu. Langdurige verwarming door zon of hitte vermijden.

De aansluitkontakten aan het laadapparaat en de akku schoonhouden.

Voor een optimale levensduur moeten de accu's na het gebruik volledig opgeladen worden.

Voor een zo lang mogelijke levensduur van de accu's dienen deze na het opladen uit het laadtoestel te worden verwijderd.

Bij een langere opslag van de accu dan 30 dagen: accu bij ca. 27 °C droog bewaren. accu bij ca. 30 % - 50 % van de laadtoestand bewaren. accu om de 6 maanden opnieuw opladen.

OVERBELASTINGSBEVEILIGING VAN DE ACCU

Bij overbelasting van de accu door een zeer hoog stroomverbruik, bijv. extreem hoge draaimomenten, klimmen van de boor, plotseling stoppen of kortsluiting, vibreert het elektrische gereedschap gedurende 2 seconden en schakelt dan automatisch uit. Om het gereedschap weer in te schakelen, moet u de drukschakelaar loslaten en vervolgens weer inschakelen. Onder extreme belastingen wordt de accu te heet. In dit geval schakelt hij uit.

Steek de accu in het laadtoestel om hem weer op te laden en te activeren.

ONDERHOUD

Gebruik uitsluitend Milwaukee toebehoren en onderdelen. Indien componenten die moeten worden vervangen niet zijn beschreven, neem dan contact op met een officieel Milwaukee servicecentrum (zie onze lijst met servicecentra).

Zo nodig kan een explosietekening van het apparaat worden aangevraagd bij uw klantenservice of direct bij Techtronic Industries GmbH, Max-Eyth-Straße 10, 71364 Winnenden, Duitsland onder vermelding van het machinetype en het zescijferige nummer op het typeplaatje.

TRANSPORT VAN LITHIUM-IONEN-ACCU'S

Lithium-ionen-accu's vallen onder de wettelijke bepalingen inzake het transport van gevaarlijke goederen.

Voor het transport van deze accu's moeten de lokale, nationale en internationale voorschriften en bepalingen in acht worden genomen.

- Verbruikers mogen deze accu's zonder meer over de weg transporteren.
- Het commerciële transport van lithium-ionen-accu's door expeditiebedrijven is onderhevig aan de bepalingen inzake het transport van gevaarlijke goederen. De verzendingsvoorbereidingen en het transport mogen uitsluitend worden uitgevoerd door dienovereenkomstig opgeleide personen. Het complete proces moet vakkundig worden begeleid.

Onderstaande punten moeten bij het transport van accu's in acht worden genomen:

- Waarborg ter vermindering van kortsluitingen dat de contacten beschermd en geïsoleerd zijn.
- Let op dat het accupack in de verpakking niet kan verschuiven.
- Beschadigde of lekkende accu's mogen niet worden getransporteerd.

Neem voor meer informatie contact op met uw expeditiebedrijf.

SYMBOLEN



OPGELET! WAARSCHUWING! GEVAAR!



Voor alle werkzaamheden aan de machine de akku verwijderen.



Graag instructies zorgvuldig doorlezen vóórdat u de machine in gebruik neemt.



Elektrische apparaten mogen niet via het huisafval worden afgevoerd. Elektrische en elektronische apparaten moeten gescheiden worden verzameld en voor een milieuvriendelijke afvoer worden afgegeven bij een recyclingbedrijf. Informeer bij uw gemeente of bij uw vakhandelaar naar recyclingbedrijven en inzamelpunten.



CE-keurmerk

EurAsian-symbool van overeenstemming.

| TEKNISKE DATA | AKKU SLAGSKRUENØGLE | HD 28 IW |
|---|--------------------------|------------------|
| Produktionsnummer | 4313 03 01... | ...000001-999999 |
| Værktøjsholder | ■ 1/2" (13 mm) | |
| Omdrejningsstal, ubelastet | 0-1450 min ⁻¹ | |
| Slagantal | 0-2450 min ⁻¹ | |
| Drejningsmoment | 440 Nm | |
| Maksimal skruestørrelse / møtrikstørrelse | 1" (M25) | |
| Udskiftningsbatteriets spænding | 28 V | |
| Vægt svarer til EPTA-procedure 01/2003 (3,0 Ah) | 4,1 kg | |

Støjinformation

Måleværdier beregnes iht. EN 60 745.

Værktøjets A-vurderede støjniveau er typisk:

| | |
|--|------------|
| Lydtrykniveau (Usikkerhed K=3dB(A)) | 101 dB (A) |
| Lydeffekt niveau (Usikkerhed K=3dB(A)) | 112 dB (A) |

Brug høreværn!

Vibrationsinformation

Samlede vibrationsværdier (værdisum for tre retninger) beregnet iht. EN 60745.

Tilspænding af skruer og møtrikker af maksimal størrelse

| | |
|---|-----------------------|
| Vibrationseksponering a _{h,10} | 10,1 m/s ² |
| Usikkerhed K= | 1,5 m/s ² |

ADVARSEL

Svingningsniveauet, som er angivet i disse anvisninger, er målt i henhold til standardiseret måleprocedure ifølge EN 60745 og kan anvendes til indbyrdes sammenligning mellem el-værktøjer. Svingningsniveauet er ligeledes egnet som foreløbigt skøn over svingningsbelastningen.

Det angivne svingningsniveau er baseret på el-værktøjets primære anvendelsesformål. Hvis el-værktøjet benyttes til andre formål, med andet indsatsværktøj eller ikke vedligeholdes tilstrækkeligt, kan svingningsniveauet afvige. Dette kan øge svingningsbelastningen over den samlede arbejdsperiode betydeligt.

For en nøjagtig vurdering af svingningsbelastningen skal der også tages højde for de tidsperioder, hvor apparatet er slukket, eller hvor apparatet kører, men uden at være i anvendelse. Dette kan reducere svingningsbelastningen over den samlede arbejdsperiode betydeligt.

Supplerende sikkerhedsforanstaltninger til beskyttelse af brugeren mod påvirkninger fra svingninger skal iværksættes, f.eks.: Vedligeholdelse af el-værktøj og indsatsværktøj, varmholdelse af hænder, organisering af arbejdsprocesser.

⚠ ADVARSEL! Læs alle sikkerhedsinformationer og instruktioner. I tilfælde af manglende overholdelse af advarselshenvisningerne og instrukserne er der risiko for elektrisk stød, brand og/eller alvorlige kvæstelser. **Opbevar alle advarselshenvisninger og instrukser til senere brug.**

⚠ SIKKERHEDSANVISNINGER FOR ARBEJDE MED SLAGSKRUENØGLE

Når du udfører arbejde, der indebærer en risiko for, at skruen kan ramme skjulte strømledninger, skal du holde i maskinens isolerede greb. Skruens kontakt med en spændingsførende ledning kan sætte metalliske maskindelen under spænding og medføre elektrisk stød.

Bær høreværn. Støjpåvirkning kan bevirke tab af hørelse.

YDERLIGERE SIKKERHEDS- OG ARBEJDSINFORMATIONER

Brug beskyttelsesudstyr. Bær altid sikkerhedsbriller, når du arbejder med maskinen. Vi anbefaler desuden brug af personlig beskyttelsesudrustning, såsom støvmaske, sikkerhedshandsker, fast og skridsikkert skotøj, hjelm og høreværn.

Støv, som opstår under arbejdet, er ofte sundhedsfarligt og bør ikke trænge ind i kroppen. Benyt egnet åndedrætsværn.

Der må ikke bearbejdes nogen materialer, der kan udgøre en sundhedsrisiko (f.eks. asbest).

Sluk straks for maskinen, hvis indsatsværktøjet er blokeret! Tænd ikke for maskinen igen, så længe indsatsværktøjet er blokeret; dette kan føre til et tilbageslag med høj reaktionsmoment. Find frem til og afhjælp årsagen til indsatsværktøjets blokering under hensyntagen til sikkerhedsinstruktionerne.

Mulige årsager hertil kan være:

- at det sidder i klemme i emnet der bearbejdes
- at det har brækket materialet der bearbejdes
- at el-værktøjet er overbelastet

Grib ikke ind i maskinen, når den kører.

Indsatsværktøjet kan blive varmt under brugen.

ADVARSEL! Fare for forbrændinger

- ved værktøjsskift
- når man lægger maskinen fra sig

Spåner eller splinter må ikke fjernes, medens maskinen kører.

Ved arbejdsboring i væg, loft eller gulv skal man passe på elektriske kabler, gas- og vandledninger.

Sørg for at sikre dit emne med en spændeanordning. Ikke sikrede emner kan forårsage alvorlige kvæstelser og beskadigelser.

Ved arbejde inden i maskinen, bør batteriet tages ud.

Opbrugte udskiftningsbatterier må ikke brændes eller kasseres sammen med alm. husholdningsaffald. Milwaukee har en miljørigtig bortskaffelse af gamle udskiftningsbatterier, henvend Dem til Deres forhandler.

Opbevar ikke udskiftningsbatterier sammen med metalgenstande af fare for kortslutning.

Brug kun V-Tec ladeapparater for opladning af System V-Tec batterier.

Udskiftningsbatterier og opladere må ikke åbnes og skal opbevares i tørre rum. Beskyt dem mod fugtighed.

I tilfælde af en ekstrem belastning eller ekstrem temperatur kan der flyde batterivæske ud af et beskadiget batteri. Hvis De kommer i berøring med batterivæsken, skal den vaskes godt og grundigt af med vand og sæbe. I tilfælde af

øjnenkontakt, skal man mindst skylle øjnene godt og grundigt igennem i 10 minutter og omgående opsøge en læge.

TILTÆNKT FORMÅL

Akku-slagnøglen kan anvendes til mange forskellige formål til at fastspænde og løsne skruer og møtrikker uafhængig af en nettilslutning.

Produktet må ikke anvendes på anden måde og til andre formål end foreskrevet.

CE-KONFORMITETSERKLÆRING

Vi erklærer som eneansvarlig, at det under "Tekniske data" beskrevne produkt stemmer overens med alle relevante forskrifter, der følger af direktiv 2011/65/EU (RoHS), 2004/108/EF, 2006/42/EF samt af følgende harmoniserede normative dokumenter:

EN 60745-1:2009 + A11:2010
 EN 60745-2-1:2010
 EN 60745-2-2:2010
 EN 55014-1:2006 + A1:2009 + A2:2011
 EN 55014-2:1997 + A1:2001 + A2:2008
 EN 50581:2012

Winnenden, 2014-09-03

Alexander Krug

Alexander Krug
 Managing Director



Autoriseret til at udarbejde de tekniske dokumenter.

Techronic Industries GmbH
 Max-Eyth-Straße 10
 71364 Winnenden
 Germany

BATTERI

Udskiftningsbatterier, der ikke har været brugt i længere tid, efterlades inden brug.

Ved temperaturer over 50°C formindskes batteriets effekt. Undgå direkte sollys og stærk varme.

Tilslutningskontakterne på oplader og udskiftningsbatterier skal holdes rene.

For at opnå en optimal levetid skal de genopladelige batterier oplades fuldt efter brug.

For at sikre en så lang levetid som muligt skal batterierne tages ud af ladeaggregatet efter opladning.

Skal batterierne opbevares længere end 30 dage: Temperatur ca. 27°C i tørre omgivelser.

Opbevares ved ca. 30%-50% af ladetilstanden. Batteri skal genoplades hver 6. måned.

OVERBELASTNINGSSIKRING FOR BATTERI

Overbelastes batteriet på grund af meget højt strømforbrug, f.eks. som følge af ekstremt høje drejningsmomenter, fastklemning af bor, pludseligt stop eller kortslutning, brummer el-værktøjet i 2 sekunder og slukker så af sig selv. For at tænde igen slipper du trykknappen og tænder el-værktøjet på ny.

Under ekstreme belastninger kan batteriet blive meget varmt. I så fald kobler batteriet fra.

Sæt batteriet i ladeadapteren for at genoplade det og aktivere det.

VEDLIGEHOLDELSE

Brug kun Milwaukee-tilbehør og Milwaukee-reservedele. Komponenter, hvor udskiftningsproceduren ikke er beskrevet, skal skiftes ud hos et Milwaukee-servicested (se brochure garanti/kundeserviceadresser).

Hvis det er nødvendigt, kan der bestilles en sprængskitse af værktøjet. Angiv herved venligst maskintypen samt det

seksificerede nummer på mærkepladen og bestil tegningen hos din lokale kundeserviceafdeling eller direkte hos Techronic Industries GmbH, Max-Eyth-Straße 10, 71364 Winnenden, Tyskland.

TRANSPORT AF LITHIUM-BATTERIER

Lithium-batterier er omfattet af lovgivningen om transport af farligt gods.

Transporten af disse batterier skal ske under overholdelse af lokale, nationale og internationale regler og bestemmelser.

- Forbrugere må transportere disse batterier på veje uden yderligere krav.
- Den kommercielle transport af lithium-batterier ved speditjonsfirmaer er omfattet af reglerne for transport af farligt gods. Forberedelsen af forsendelse og transport må kun udføres af tilsvarende trænedte personer. Den samlede proces skal følges af fagfolk.

Følgende punkter skal overholdes ved transport af batterier:

- Sørg for at kontakterne er beskyttet og isoleret for at forhindre kortslutninger.
- Sørg for at batteripakken ikke kan bevæge sig inden for emballagen.
- Beskadigede eller lækende batterier må ikke transporteres.

Kontakt dit speditjonsfirma for at få yderligere oplysninger.

SYMBOLER



VIGTIGT! ADVARSEL! FARE!



Ved arbejde inden i maskinen, bør batteriet tages ud.



Læs brugsanvisningen nøje før ibrugtagning.



Elektrisk udstyr må ikke bortskaffes sammen med det almindelige husholdningsaffald. Elektrisk og elektronisk udstyr skal indsamles særskilt og afleveres hos en genbrugsvirksomhed til en miljømæssig forsvarlig bortskaffelse. Spørg de lokale myndigheder eller din forhandler om genbrugsstationer og indsamlingssteder til sådant affald.



CE-mærke

EurAsian overensstemmelsesmærke.

| | |
|---|-----------------------------------|
| Produksjonsnummer..... | 4313 03 01... ...000001-999999 |
| Verktøyholder | ■ 1/2" (13 mm) |
| Tomgangsturtall | 0-1450 min ⁻¹ |
| Slaggtall | 0-2450 min ⁻¹ |
| Dreiemoment | 440 Nm |
| Maksimal skruetørrelse / mutterstørrelse | 1" (M25) |
| Spenning vekselbatteri | 28 V |
| Vekt i henhold til EPTA-Prosedyrer 01/2003 (3,0 Ah) | 4,1 kg |

Støyinformasjon

Måleverdier fastslått i samsvar med EN 60 745.

Det typiske A-bedømte støynivået for maskinen er:

| | |
|--|------------|
| Lydtrykknivå (Usikkerhet K=3dB(A))..... | 101 dB (A) |
| Lydeffektnivå (Usikkerhet K=3dB(A))..... | 112 dB (A) |

Bruk hørselsvern!**Vibrasjonsinformasjoner**

Totalt svingningsverdier (vektorsum fra tre retninger) beregnet jf. EN 60745.

Fastskruing av skruer og muttere i maksimal størrelse

| | |
|---|-----------------------|
| Svingningsemisjonsverdi a _{h,10} | 10,1 m/s ² |
| Usikkerhet K= | 1,5 m/s ² |

ADVARSEL

Svingningsnivået som er angitt i denne instruksjonen er målt i overensstemmelse med målemetoden normert i direktiv EN 60745 og kan brukes til å sammenligne elektromaskiner med hverandre. Den egner seg også for en foreløpig vurdering av svingningsbelastningen.

Det angitte svingningsnivået representerer de hovedsaklige bruk av elektroverktøyet. Men anvendes elektroverktøyet for andre bruk med avvikende utskiftbare verktøy eller vedlikeholdet er utilstrekkelig, kan svingningsnivået være avvikende.

Dette kan forhøye svingningsbelastning betydelig over hele arbeidsperioden. For en nøyaktig vurdering av svingningsbelastningen må også det tas hensyn til tiden apparatet er avslått eller står på, men ikke er i bruk. Dette kan redusere svingningsbelastningen betydelig over hele arbeidsperioden.

Innfør også ekstra sikkerhetstiltak for å beskytte bruker mot utvirkningen av svingningene. Disse kan f.eks. være: vedlikehold av elektroverktøyet og det utskiftbare verktøyet, holde hendene varme, organisasjon av arbeidsforløpet.

▲ OBS! Les alle sikkerhetsinstrukser og bruksanvisninger. Feil ved overholdelsen av advarslene og nedenstående anvisninger kan medføre elektriske støt, brann og/eller alvorlige skader.
Ta godt vare på alle advarslene og informasjonene.

▲ SIKKERHETSINSTRUKSER FOR SLAGSKRUTREKKER

Hold apparatet i de isolerte holdeflatene, når arbeid utføres hvor skruen kan treffe skjulte strømledninger. Kontakt av skruen med en strømførende ledning kan sette apparatets metalldele under spenning og føre til elektrisk slag.

Bruk hørselsvern. Støy kan føre til tap av hørselen

YTTERLIGE SIKKERHETS- OG ARBEIDSIKKEHETSINSTRUKSJONER

Bruk vernebekledning. Ta alltid på vernebrille ved bruk av maskinen. Vernebekledning så vel som støvmaske, vernehansker, fast og sklisikkert skotøy, hjem og hørselsvern er anbefalt.

Støvet som oppstår ved arbeidet er ofte helsefarlig og skal ikke komme i kontakt med kroppen. Bruk derfor vernemaske som er egnet for støv.

Materialer som er helsefarlig skal ikke bearbeides (f.eks. asbest)

Slå av apparatet med en gang dersom det isatte verktøyet er blokkert! Ikke slå apparatet på igjen så lenge det isatte verktøyet er blokkert; her kan det oppstå et tilbakeslag med høyt reaksjonsmoment. Finn ut hvorfor det isatte verktøyet blokkerer og fjern årsaken til dette. Ta herved hensyn til sikkerhetsinstruksene.

Mulige årsaker til dette kan være:

- det har forkantet seg i arbeidsemnet som bearbeides

- det har brekt igjennom materialet som bearbeides
- elektroverktøyet er overbelastet

Ikke grip inn i maskinen når den står på og går.

Isatt verktøy kan i bruk bli veldig varmt.

ADVARSEL! Fare for forbrønning

- ved skifting av verktøy
- når apparatet legges ned

Spon eller fliser må ikke fjernes mens maskinen er i gang.

Pass på kabler, gass- og vannledninger når du arbeider i vegger, tak eller gulv.

Klem fast arbeidsemnet med en spenninnretning. Ikke sikrede arbeidsemner kan ha alvorlige helseskader og skader av material til følge.

Ta ut vekselbatteriet før du arbeider på maskinen

Ikke kast brukte vekselbatterier i varmen eller husholdningsavfallet. Milwaukee tilbyr en miljøriktig deponering av gamle vekselbatterier; vennligst spør din fagforhandler.

Ikke oppbevar vekselbatterier sammen med metallgjenstander (kortslutningsfare).

Vekselbatterier av systemet V-Tec skal kun lades med lader av systemet V-Tec. Ikke lad opp batterier fra andre systemer.

Ikke åpne vekselbatterier og ladere, de skal oppbevares i tørre rom. Beskyttes mot fuktighet.

Under ekstreme belastninger og ekstreme temperaturer kan det løkke ut batterivæske fra utskiftbare batterier. Ved berøring med batterivæske, vask umiddelbart med såpe og vann. Ved kontakt med øynene må øynene skylles grundig i rennende vann i minst 10 minutter. Oppsøk lege umiddelbart.

FORMÅLSMESSIG BRUK

Den oppladbare slagtrekkeren kan brukes universelt til å feste og å løse skruer og muttere uavhengig av en nettforbindelse (støm).

Dette apparatet må kun brukes til de oppgitte formål.

CE-SAMSVARERKLÆRING

Vi erklærer i alene ansvar at produktet beskrevet i "Teknisk data" overensstemmer med alle relevante forskrifter til EU direktiv 2011/65/EU (RoHS), 2004/108/EF, 2006/42/EF og de følgende harmoniserte normative dokumentene.

EN 60745-1:2009 + A1:2010
EN 60745-2-1:2010
EN 60745-2-2:2010
EN 55014-1:2006 + A1:2009 + A2:2011
EN 55014-2:1997 + A1:2001 + A2:2008
EN 50581:2012

Winnenden, 2014-09-03

Alexander Krug

Alexander Krug
Managing Director



Autorisert til å utarbeide den tekniske dokumentasjonen

Techtronic Industries GmbH
Max-Eyth-Straße 10
71364 Winnenden
Germany

BATTERIER

Vekselbatterier som ikke er brukt over lengre tid skal etterlades før bruk.

En temperatur over 50°C reduserer vekselbatteriets kapasitet. Unngå oppvarming i sol eller ved varmeovner (fyring) i lengre tid.

Hold tilkoplingskontaktene på lader og vekselbatteriet rene.

For en optimal levetid må batteriene etter bruk ladet helt opp.

For å sikre en lengst mulig brukstid av batteriene skal disse etter oppladning taes ut av laderen.

Ved lagring av batteriene lengre enn 30 dager:

Lagre batteriet tørt ved ca. 27°C.

Lagre batteriet ved en oppladningstilstand på ca. 30%-50%.
Lade opp batteriet igjen etter 6 måneder.

OVERBELASTNINGSVERN FOR OPPLADBARE BATTERIER

Ved overbelastning av det oppladbare batteriet p.g.a. svært høy strømforbruk, for eksempel ved ekstrem høye dreiemoment, fastklemming av boret, plusselig stopp eller kortslutning, brummer elektroverktøyet 2 sekunder og slår seg så automatisk av.
For å slå det på igjen, må man slippe trykkbryteren og så slå på igjen.

Ved ekstreme belastninger kan det oppladbare batteriet bli sterkt opphetet. I slike tilfeller kobler batteriet seg ut. Sett batteriet da i laderen for å få det oppladet og aktivert igjen.

VEDLIKEHOLD

Bruk kun Milwaukee tilbehør og Milwaukee reservedeler. Komponenter der utskifting ikke er beskrevet skal skiftes ut hos Milwaukee kundeservice (se brosjyre garanti/kundeserviceadresser).

Ved behov kan det fås en eksplosjonstegning av apparatet hos kundeservice eller direkte hos Techtronic Industries GmbH, Max-Eyth-Straße 10, 71364 Winnenden, Germany ved angivelse av maskinens type og det sekstallige nummeret på maskinens skilt.

TRANSPORT AV LITUM-ION-BATTERI

Litium-ion-batterier faller under de lovfestede forskriftene om transport av farlig gods.

Transporten av disse batteriene må rette seg etter lokale, nasjonale og internasjonale forskrifter og bestemmelser.

- Forbruker har lov å transportere disse batteriene på gaten uten reglementering.
- Den kommersielle transport av Litium-ion-batterier av spedisjonsfirma faller under bestemmelsene om transport av farlig gods. Forberedningene av forsendelsen og transport skal utelukkende gjennomføres av personer som har blitt skolert til dette. Hele prosessen skal følges opp av fagfolk.

Følgende punkter skal tas hensyn til ved transport:

- Kontroller at kontaktene er beskyttet og isolert for å unngå kortslutninger.
- Pass på at batteripakken i forpakningen ikke kan skli fram og tilbake.
- Skadede eller batterier som lekker er det ikke lov å transportere.

Ta kontakt med spedisjonsfirma for ytterlige henvisninger.

SYMBOLER

OBS! ADVARSEL! FARE!



Ta ut vekselbatteriet før du arbeider på maskinen



Les nøye gjennom bruksanvisningen før maskinen tas i bruk.



Elektriske apparat skal ikke kastes sammen med vanlig husholdningsavfall. Elektriske og elektroniske apparat skal samles separat og leveres til miljøvennlig deponering til en avfall bedrift. Informer deg hos myndighetene på stedet eller hos din fagforhandler hvor det finnes recycling bedrifter oppsamlingssteder.



CE-tegn

EurAsian Konformitetstegn.

TEKNISKA DATA BATTERIDRIVEN SLAGSKRUVDRAGARE HD 28 IW

| | |
|---|--------------------------|
| Produktionsnummer | 4313 03 01... |
| | ...000001-999999 |
| Verktyginfästninge | ■ 1/2" (13 mm) |
| Obelastat varvtal | 0-1450 min ⁻¹ |
| Slagtal | 0-2450 min ⁻¹ |
| Vridmoment | 440 Nm |
| Maximal skruv- respektive mutterstorlek | 1" (M25) |
| Batterispänning | 28 V |
| Vikt enligt EPTA 01/2003 (3,0 Ah) | 4,1 kg |

Bullerinformation

Mätvärdena har tagits fram baserade på EN 60 745. A-värdet av maskinens ljudnivå utgår:

| | |
|--|------------|
| Ljudtrycksnivå (Onoggrannhet K=3dB(A))..... | 101 dB (A) |
| Ljudeffektsnivå (Onoggrannhet K=3dB(A))..... | 112 dB (A) |

Använd hörselskydd!**Vibrationsinformation**

Totala vibrationsvärden (vektorsumma ur tre riktningar) framtaget enligt EN 60745.

Åtdragning av skruvar och muttrar av maximal storlek

| | |
|---|-----------------------|
| Vibrationsemissionsvärde a _{h, ID} | 10,1 m/s ² |
| Onoggrannhet K= | 1,5 m/s ² |

VARNING

Den i de här anvisningarna angivna vibrationsnivån har uppmätts enligt ett i EN 60745 normerat mätförfarande och kan användas vid jämförelse mellan olika elverktyg. Nivån är även lämplig att använda vid en preliminär bedömning av vibrationsbelastningen.

Den angivna vibrationsnivån representerar den huvudsakliga användningen av det aktuella elverktyget. Men om elverktyget ska användas i andra användningsområden, tillsammans med avvikande insatsverktyg eller efter otillräckligt underhåll, kan vibrationsnivån skilja sig. Det kan öka vibrationsbelastningen betydligt under hela arbetstiden.

För att få en exaktare bedömning av vibrationsbelastningen ska även den tid beaktas, under vilken elverktyget är avstängt eller är påslaget, utan att det verkligen används. Det kan reducera vibrationsbelastningen betydligt under hela arbetstiden.

Lägg som skydd för användaren fast extra säkerhetsåtgärder mot vibrationernas verkan, som till exempel: underhåll av elverktyg och insatsverktyg, varmhållning av händer och organisering av arbetsförlöpp.

⚠️ VARNING! Läs all säkerhetsinformation och alla anvisningar. Fel som uppstår till följd av att anvisningarna nedan inte följts kan orsaka elstöt, brand och/eller allvarliga kroppsskador.

Förvara alla varningar och anvisningar för framtida bruk.

⚠️ SÄKERHETSINSTRUKTIONER FÖR SLAGSKRUVDRAGARE

Håll apparaten i de isolerade greppytorna när ni utför arbeten där skruven kan träffa dolda elkablar. Skruvens kontakt med en strömförande ledning kan sätta apparatdelar av metall under spänning och leda till elektrisk stöt.

Bär hörselskydd. Bullerbelastning kan orsaka hörselskador.

ÖVRIGA SÄKERHETS- OCH ANVÄNDNINGSSKILLNINGAR

Använd skyddsutrustning. Använd alltid skyddsglasögon när du använder maskinen. Som skyddsutrustning rekommenderar vi t ex en dammskyddsmask, skyddshandskar, stabila och halksäkra skor, hjälm och hörselskydd.

Det damm som bildas under arbetets gång är ofta hälsofarligt och det ska inte komma in i kroppen. Bär därför lämplig skyddsmask.

Det är inte tillåtet att bearbeta material som kan vara hälsovådligt (t.ex. asbest).

Stäng av maskinen omedelbart om ett verktyg som används sitter fast! Sätt sedan inte på maskinen igen så länge som verktyget som används fortfarande sitter fast; risk för okontrollerade slag med högt reaktionsmoment. Ta reda på orsaken varför verktyget fastnade och åtgärda orsaken med hänsyn till säkerhetsanvisningarna.

Möjliga orsaker kan vara:

- Verktyget sitter snett i arbetsstycket
- Verktyget går igenom materialet som bearbetas
- Elverktyget är överbelastat

Gå aldrig med händerna in i en maskin som är igång.

Verktyget som används kan bli mycket varmt under användningen.

⚠️ VARNING! Risk för brännskador

- vid verktygsbyte
- när man lägger ifrån sig maskinen

Avlägsna aldrig spån eller flisor när maskinen är igång.

Vid arbetenborring i vägg, tak eller golv, var alltid observant på befintliga el-, gas- eller vattenledningar.

Säkra arbetsstycket med en fastspänningsanordning. Arbetsstycken som inte är ordentligt fastspända kan leda till allvarlig kroppsskada eller annan skada.

Drag ur batteripaket innan arbete utföres på maskinen.

Kasta inte förbrukade batterier. Lämna dem till Milwaukee Tools för återvinning.

Förvara ej batteriet ihop med metallföremål, kortslutning kan uppstå.

System V-Tec batterier laddas endast i System V-Tec laddare. Ladda inte batterier från andra system.

Batterier lagras torrt och skyddas för fukt.

Under extrem belastning eller extrem temperatur kan batteriväska tränga ut ur skadade utbytesbatterier. Vid beröring med batteriväska tvätta genast av med vatten och tvål. Vid ögonkontakt spola genast i minst 10 minuter och kontakta genast läkare.

ANVÄND MASKINEN ENLIGT ANVISNINGARNA

Denna sladdlösa och laddningsbara slagskruvdragare kan användas universellt både för att ta loss och skruva i skruvar och muttrar helt oberoende av en elanslutning.

Maskinen får endast användas för angiven tillämpning.

CE-FÖRSÄKRAN

Vi intygar och ansvarar för att den produkt som beskrivs under "Tekniska data" överensstämmer med alla relevanta bestämmelser i direktiv 2011/65/EU (RoHS), 2004/108/EG, 2006/42/EG och följande harmoniserade normerande dokument:

EN 60745-1:2009 + A11:2010
 EN 60745-2-1:2010
 EN 60745-2-2:2010
 EN 55014-1:2006 + A1:2009 + A2:2011
 EN 55014-2:1997 + A1:2001 + A2:2008
 EN 50581:2012

Winnenden, 2014-09-03

Alexander Krug

Alexander Krug
 Managing Director



Befullmäktigad att sammanställa teknisk dokumentation.

Techtronic Industries GmbH
 Max-Eyth-Straße 10
 71364 Winnenden
 Germany

BATTERIER

Batteri som ej använts på länge måste laddas före nytt bruk.

En temperatur över 50°C reducerar batteriets effekt. Undvik längre uppvärmning tex i solen eller nära ett element.

Se till att anslutningskontaktarna i laddaren och på batteriet är rena.

För en optimal livslängd ska batterierna laddas helt igen efter användningen.

För att få en så lång livslängs som möjligt bör laddningsbara batterier avlägsnas från laddaren när de är laddade.

Om laddningsbara batterier lagras längre än 30 dagar:

Lagra batteriet torrt och vid ca 27°C.

Lagra batteriet vid ca 30%-50% av laddningskapaciteten.

Ladda batterierna på nytt var 6:e månad.

BATTERI-ÖVERBELASTNINGSSKYDD

Om det uppladdningsbara batteriet överbelastas på grund av mycket hög strömförbrukning, till exempel vid extremt höga vridmoment, fastklämning av borret, plötsligt stopp eller kortslutning, brummar elverktyget i 2 sekunder och stängs sedan av automatiskt.

Släpp därefter först upp tryckknappen och slå sedan på elverktyget igen, om du vill fortsätta bearbetningen.

Vid extrem belastning kan batteriet bli väldigt varmt. I ett sådant fall stängs batteriet av automatiskt.

Sätt då batteriet i laddaren för att ladda upp och aktivera det igen.

SKÖTSEL

Använd endast Milwaukee-tillbehör och Milwaukee-reservdelar. Komponenter, för vilka inget byte beskrivs, skall bytas ut hos Milwaukee-kundtjänst (se broschyren garanti-/kundtjänstadresser).

Vid behov kan du rekvidrera apparatens sprängskiss antingen hos kundservicen eller direkt hos Techtronic Industries GmbH, Max-Eyth-Straße 10, 71364 Winnenden, Germany. Du ska då ange maskintypen och numret på sex siffror som står på effektskylten.

TRANSPORTERA LITIJON-BATTERIER

För litiumjon-batterier gäller de lagliga föreskrifterna för transport av farligt gods på väg.

Därför får dessa batterier endast transporteras enligt gällande lokala, nationella och internationella föreskrifter och bestämmelser.

- Konsumenter får transportera dessa batterier på allmän väg utan att behöva beakta särskilda föreskrifter.
- För kommersiell transport av litiumjon-batterier genom en speditiionsfirma gäller emellertid bestämmelserna för transport av farligt gods på väg. Endast personal som känner till alla tillämpliga föreskrifter och bestämmelser får förbereda och genomföra transporten. Hela processen ska följas upp på fackmässigt sätt.

Följande ska beaktas i samband med transporten av batterier:

- Säkerställ att alla kontakter är skyddade och isolerade för att undvika kortslutning.
- Se till att batteripacken inte kan glida fram och tillbaka i förpackningen.
- Transportera aldrig batterier som läcker, har runnit ut eller är skadade.

För mer information vänligen kontakta din speditiionsfirma.

SYMBOLER

OBSERVERA! VARNING! FARA!



Drag ur batteripaket innan arbete utföres på maskinen.



Läs instruktionen noga innan du startar maskinen.



Elektriska maskiner och elverktyg som kasseras får inte slängas tillsammans med de vanliga hushållssoporna. Elektriska maskiner och verktyg samt elektronisk utrustning som kasseras ska samlas separat och lämnas till en avfallsstation för miljövänlig avfallshantering. Kontakta den lokala myndigheten respektive kommunen eller fråga återförsäljare var det finns speciella avfallsstationer för elskrot.



CE-symbol

EurAsian överensstämmelsesymbol.

| | |
|---|-----------------------------------|
| Tuotantonumero | 4313 03 01... ...000001-999999 |
| Talttapidin | ■ 1/2" (13 mm) |
| Kuormittamaton kierrosnopeus | 0-1450 min ⁻¹ |
| Iskutaajuus | 0-2450 min ⁻¹ |
| Vääntömomentti | 440 Nm |
| Suurin ruuvien / muttereiden koko | 1" (M25) |
| Jännite vaihtoakku | 28 V |
| Paino EPTA-menettelyn 01/2003 mukaan (3,0 Ah) | 4,1 kg |

Melunpäästötiedot

Mitta-arvot määritetty EN 60 745 mukaan.

Koneen tyyppillinen A-luokitettu melutaso:

| | |
|---|------------|
| Melutaso (Epävarmuus K=3dB(A)) | 101 dB (A) |
| Äänenvoimakkuus (Epävarmuus K=3dB(A)) | 112 dB (A) |

Käytä kuulosuojaimia!**Tärinätiedot**

Värähtelyn yhteisarvot (kolmen suunnan vektorisummitettuna EN 60745 mukaan.

Suurimman sallitun koon ruuvien ja muttereiden kiristäminen

| | |
|--|-----------------------|
| Värähtelyemissioarvo a _{h,1D} | 10,1 m/s ² |
| Epävarmuus K= | 1,5 m/s ² |

VAROITUS

Näissä ohjeissa mainittu värähtelytaso on mitattu EN 60745 -standardin mukaisella mittausmenetelmällä ja sitä voidaan käyttää sähkötyökalujen vertaamiseen. Sitä voidaan käyttää myös värähtelyrasituksen väliaikaiseen arviointiin.

Mainittu värähtelytaso edustaa sähkötyökalun pääasiallista käyttöä. Jos sähkötyökalua kuitenkin käytetään muihin tehtäviin, poikkeavin työkaluin tai riittämättömästi huoltaen, värähtelytaso voi olla erilainen. Se voi korottaa värähtelyrasitusta koko työajan osalta.

Tarkan värähtelyrasituksen toteamiseen tulee ottaa huomioon aika, jona laite on kytketty pois tai on kylläkin päällä, mutta ei käytössä. Se voi pienentää värähtelyrasitusta koko työajan osalta.

Määrittele lisäurvatyökalujen käyttöä varten käyttäjän suojaamiseksi värinöiden vaikutukselta, kuten esimerkiksi: sähkötyökalujen ja käyttötyökalujen huolto, käsien lämpiminä pitäminen, työvälineiden organisaatio.

VAROITUS! Lue kaikki turvallisuusmääräykset ja ohjeet. Turvallisuusohjeiden noudattamisen laiminlyönti saattaa johtaa sähköiskuun, tulipaloon ja/tai vakavaan loukkaantumiseen.

Säilytä kaikki turvallisuus- ja muut ohjeet tulevaisuutta varten.

RUUVAAJAN TURVALLISUUSOHJEET:

Pitele laitteesta kiinni sen eristetyistä kahvoista suorittaessasi töitä, joiden aikana ruuvi saattaa osua piilossa oleviin sähköjohtoihin. Ruuvien kosketus jännitteelliseen johtoon saattaa tehdä laitteen metalliosat jännitteellisiksi ja aiheuttaa sähköiskun.

Käytä korvasuojia. Altistuminen melulle voi vahingoittaa kuuloa.

TÄYDENTÄVIÄ TURVALLISUUSMÄÄRÄYKSIÄ JA TYÖKENTELYOHJEITA

Käytä suojavarusteita. Käytä aina suojalaseja käyttäessäsi konetta. Suosittelemme suojavarusteiden käyttöä, näihin kuuluvat pölysuojanaamarit, työkalusineet, tukevat, luistamattomat jalkineet, kypärä ja kuulosuojukset.

Koneen käytöstä aiheutuva pöly ja jäte voi olla haitallista terveydelle eikä sen vuoksi tulisi päästä kosketukseen ihon kanssa. Koneella työskennellessä on käytettävä sopivaa suojainta.

Terveydellisiä vaaroja aiheuttavien materiaalien (esim. asbestin) työstäminen on kielletty.

Jos käytetty työkalu juuttuu kiinni, sammuta laite heti! Älä kytke laitetta uudelleen päälle työkalun ollessa vielä kiinni juuttuneena, koska tästä saattaa aiheutua voimakas takaisu. Selvitä työkalun juuttumisen syy ja poista syy turvallisuusmääräyksiä noudattaen.

Mahdollisia syitä voivat olla:

- työkalun vinoutuminen työstökappaleessa
 - työstetyn materiaalin puhkaiseminen
 - sähkötyökalun ylikuormitus
- Älä tartu käynnissä olevan koneen työosiin.
- Käytetty työkalu saattaa kuumeta käytön aikana.
- VAROITUS!** Palovamman vaara
- työkalua vaihdettaessa
 - laitetta pois laskettaessa

Lastuja tai puruja ei saa poistaa koneen käydessä.

Varo seinään, kattoon tai lattiaan porattaessa osumasta sähköjohtoon, kaasu- ja vesijohtoihin.

Varmista työstökappaleesi kiinnityslaitteella paikalleen. Varmistamattomat työstökappaleet saattavat aiheuttaa vakavia vammoja ja vaurioita.

Ota akku pois ennen kaikkia koneeseen tehtäviä toimenpiteitä.

Käytettyjä vaihtoakkuja ei saa polttaa eikä poistaa normaalin jätehuollon kautta. Milwaukeella on tarjolla vanhoja vaihtoakkuja varten ympäristöystävällinen jätehuolto palvelu.

Vaihtoakkuja ei saa säilyttää yhdessä metalliesineiden kanssa (oikosulkuvaara).

Käytä ainoastaan System V-Tec latauslaitetta System V-Tec akkujen lataukseen. Älä käytä muiden järjestelmien akkuja.

Vaihtoakkuja ja latauslaitteita ei saa avata. Säilytys vain kuivissa tiloissa. Suojattava kosteudelta.

Vaurioituneesta akusta saattaa erityisen kovassa käytössä tai poikkeavassa lämpötilassa vuotaa akkuhappoa. Ihonkohta, joka on joutunut kosketukseen akkuhapon kanssa on viipymättä pestävä vedellä ja saippualla. Silmä, johon on joutunut akkuhappoa, on huuhdeltava vedellä vähintään 10 minuutin ajan, jonka jälkeen on viipymättä hakeuduttava lääkärin apuun.

TARJOITUKSEN MUKAINEN KÄYTTÖ

Akkukäyttöinen iskuruuvinväännin sopii verkosta riippumattomaan ruuvien ja muttereiden kiristämiseen ja irrottamiseen yleiskäytössä.

Älä käytä tuotetta ohjeiden vastaisesti.

TODISTUS CE-STANDARDIN MUKAISUUDESTA

Vakuutamme yksinvastuullisesti, että kohdassa "Tekniset tiedot" kuvattu tuote vastaa kaikkia sitä koskevia direktiivien 2011/65/EU (RoHS), 2004/108/EY, 2006/42/EY määräyksiä sekä seuraavia harmonisoituja standardisoivia asiakirjoja:

EN 60745-1:2009 + A11:2010
EN 60745-2-1:2010
EN 60745-2-2:2010
EN 55014-1:2006 + A1:2009 + A2:2011
EN 55014-2:1997 + A1:2001 + A2:2008
EN 50581:2012

Winnenden, 2014-09-03



Alexander Krug
Managing Director



Valtuutettu kokoamaan tekniset dokumentit.

Technronic Industries GmbH
Max-Eyth-Straße 10
71364 Winnenden
Germany

AKKU

Pitkään käyttämättä olleet vaihtoakut on ladattava ennen käyttöä.

Yli 50°C lämpötilassa akun suorituskyky heikkenee. Vältäthän akkujen säilyttämistä auringossa tai kuumissa tiloissa.

Pidä aina latauslaitteen ja akun kosketinpinnat puhtaina.

Akut on ladattava täyteen käytön jälkeen optimaalisen eliniän säilyttämiseksi.

Mahdollisimman pitkän elinajan takaamiseksi akut tulee poistaa laturista lataamisen jälkeen.

Akkuja yli 30 päivää säilytettävässä:

Säilytä akku yli 27 °C:ssa ja kuivassa.

Säilytä akku sen latauksen ollessa 30 % - 50 %.

Lataa akku 6 kuukauden välein uudelleen.

AKUN YLIKUORMITUSSUOJAUS

Jos akku ylikuormittuu erittäin suuren virrankulutuksen vuoksi, esim. erittäin suurten vääntömomenttien, poranterän kiinnijuttumisen, äkillisen pysähtymisen tai lyhytsulun vuoksi, niin sähkötyökalu surisee 2 sekunnin ajan ja sammuu sitten omatoimisesti.

Käynnistä laite uudelleen päästämällä katkaisinpainike irti ja kytkemällä se sitten uudelleen.

Erittäin suuressa kuormituksessa saattaa akku kuumeta liikaa. Tässä tapauksessa akku kytketty pois.

Työnnä akku sitten latauslaitteeseen ja lataa se jälleen, jotta se aktivoituu.

HUOLTO

Käytä ainoastaan Milwaukee lisätarvikkeita ja Milwaukee varaosia. Mikäli jokin komponentti, jota ei ole kuvailtu, tarvitsee vaihtoa ota yhteys johonkin Milwaukee palvelupisteistä (kts. listamme takuuhuoltoilikkeiden/ palvelupisteiden osoitteista)

Tarvittaessa voit pyytää laitteen räjähdyspiirustuksen ilmoittaen konetyypin ja tyyppikilvessä olevan kuusinumeroisen luvun huoltopalvelustasi tai suoraan osoitteella Technronic Industries GmbH, Max-Eyth-Strasse 10, 71364 Winnenden, Saksa.

LITIUM-IONIAKKUJEN KULJETTAMINEN

Litiumioniakut kuuluvat vaarallisten aineiden kuljetuksesta annettujen lakien piiriin.

Näiden akkujen kuljettaminen täytyy suorittaa noudattaen paikallisia, kansallisia ja kansainvälisiä määräyksiä ja säädöksiä.

- Kuluttajat saavat ilman muuta kuljettaa näitä akkuja teitä pitkin.
- Kaupallisessa kuljetuksessa huolintaliikkeiden täytyy kuljettaa litiumioniakkuja vaarallisten aineiden kuljetuksesta annettujen määräysten mukaisesti. Ainoastaan tähän vastaavasti koulutetut henkilöt saavat suorittaa kuljetuksen valmistelutoimet ja itse kuljetuksen. Koko prosessia tulee valvoa asiantuntevasti.

Seuraavat kohdat tulee huomioida akkuja kuljetettaessa:

- Varmista, että akkujen kontaktit on suojattu ja eristetty, jotta vältetään lyhytsulut.
- Huolehdi siitä, ettei akkusarja voi luiskahtaa paikaltaan pakkauksen sisällä.
- Vahingoittuneita tai vuotavia akkuja ei saa kuljettaa.

Pyydä tarkemmat tiedot huolintaliikkeeltäsi.

SYMBOLIT

HUOMIO! VAROITUS! VAARA!



Ota akku pois ennen kaikkia koneeseen tehtäviä toimenpiteitä.



Lue käyttöohjeet huolellisesti, ennen koneen käynnistämistä.



Sähkölaitteita ei saa hävittää yhdessä kotitalousjätteiden kanssa. Sähkö- ja elektroniset laitteet tulee kerätä erikseen ja toimittaa kierrätysliikkeeseen ympäristöystävällistä hävittämistä varten. Pyydä paikallisilta viranomaisilta tai alan kauppiailta tarkemmat tiedot kierrätyspisteistä ja keräyspaikoista.



CE-merkki

EurAsian-vaatimusten mukaisuusmerkki.

ΤΕΧΝΙΚΑ ΣΤΟΙΧΕΙΑ ΠΑΛΜΙΚΟ ΚΑΤΣΑΒΙΔΙ ΜΠΑΤΑΡΙΑΣ HD 28 IW

| | |
|---|-----------------------------------|
| Αριθμός παραγωγής..... | 4313 03 01... ...000001-999999 |
| Υποδοχή κατσαβιδόλαμας (μπιτ) | ■ 1/2" (13 mm) |
| Αριθμός στροφών χωρίς φορτίο | 0-1450 min ⁻¹ |
| Μέγιστος αριθμός κρούσεων..... | 0-2450 min ⁻¹ |
| Ροπή στρέψης | 440 Nm |
| Μέγιστο μέγεθος βιδών / μέγεθος παξιμαδιών..... | 1" (M25) |
| Τάση ανταλλακτικής μπαταρίας..... | 28 V |
| Βάρος σύμφωνα με τη διαδικασία ΕΡΤΑ 01/2003 (3,0 Ah)..... | 4,1 kg |

Πληροφορίες θορύβου

Τιμές μέτρησης εξακριβωμένες κατά EN 60 745.
Η σύφωνα με την καμπύλη A εκτιμηθείσα στάθμη θορύβου του μηχανήματος αναφέρεται σε:

| | |
|--|------------|
| Στάθμη ηχητικής πίεσης (Ανασφάλεια K=3dB(A)) | 101 dB (A) |
| Στάθμη ηχητικής ισχύος (Ανασφάλεια K=3dB(A)) | 112 dB (A) |

Φοράτε προστασία ακοής (ωατοσπίδες)!

Πληροφορίες δονήσεων

Υλικές τιμές κραδασμών (άθροισμα διανυσμάτων τριών διευθύνσεων) εξακριβώθηκαν σύμφωνα με τα πρότυπα EN 60745.

| | |
|---|-----------------------|
| Σφίξιμο βιδών και παξιμαδιών μέγιστου μεγέθους | |
| Τιμή εκπομπής δονήσεων a _{h,ISO} | 10,1 m/s ² |
| Ανασφάλεια K= | 1,5 m/s ² |

ΠΡΟΕΙΔΟΠΟΙΗΣΗ

Το αναφερόμενο σ' αυτές τις οδηγίες επίπεδο δονήσεων έχει μετρηθεί με μια τυποποιημένη σύμφωνα με το EN 60745 μέθοδο μέτρησης και μπορεί να χρησιμοποιηθεί για τη σύγκριση των ηλεκτρικών εργαλείων μεταξύ τους. Αυτό είναι επίσης κατάλληλο για μια προσωρινή εκτίμηση της επιβάρυνση των δονήσεων.

Το αναφερόμενο επίπεδο δονήσεων αντιπροσωπεύει τις κύριες χρήσεις του ηλεκτρικού εργαλείου. Εάν όμως το ηλεκτρικό χρησιμοποιείται σε άλλες χρήσεις, με διαφορετικά εργαλεία εφαρμογής ή ανεπαρκή συντήρηση, μπορεί να υπάρξει απόκλιση του επιπέδου δονήσεων. Αυτό μπορεί να αυξήσει σημαντικά την επιβάρυνση των δονήσεων για τη συνολική διάρκεια της εργασίας

Για μια ακριβή εκτίμηση της επιβάρυνσης των δονήσεων οφείλουν επίσης να λαμβάνονται υπόψη οι χρόνοι, στους οποίους η συσκευή είναι απενεργοποιημένη ή είναι μεν ενεργοποιημένη αλλά δεν χρησιμοποιείται πραγματικά. Αυτό μπορεί να μειώσει σημαντικά την επιβάρυνση των δονήσεων για τη συνολική διάρκεια της εργασίας.

Καθορίστε πρόσθετα μέτρα ασφαλείας για την προστασία του χειριστή από την επίδραση των δονήσεων όπως για παράδειγμα: Συντήρηση του ηλεκτρικού εργαλείου και των εργαλείων εφαρμογής, διατηρείτε ζεστά τα χέρια, οργάνωση των διαδικασιών εργασίας.

⚠ ΠΡΟΣΟΧΗ! Διαβάστε όλες τις οδηγίες ασφαλείας και τις οδηγίες χρήσεως. Αμέλειες κατά την τήρηση των προειδοποιητικών υποδείξεων μπορεί να προκαλέσουν ηλεκτροπληξία, κίνδυνο πυρκαγιάς ή/και σοβαρούς τραυματισμούς. **Φυλάξτε όλες τις προειδοποιητικές υποδείξεις και οδηγίες για κάθε μελλοντική χρήση.**

⚠ ΥΠΟΔΕΙΞΕΙΣ ΑΣΦΑΛΕΙΑΣ ΓΙΑ ΠΑΛΜΙΚΟ ΚΑΤΣΑΒΙΔΙ

Κρατάτε τη συσκευή από τις μονωμένες επιφάνειες συγκράτησης, όταν εκτελείτε εργασίες, στις οποίες η βίδα θα μπορούσε να έρθει σε επαφή με κρυφούς αγωγούς ρεύματος. Η επαφή της βίδας μ' ένα ηλεκτροφόρο καλώδιο μπορεί να προκαλέσει τη μεταφορά ρεύματος στα μεταλλικά εξαρτήματα της συσκευής και να οδηγήσει σε ηλεκτροπληξία.

Φοράτε ωατοσπίδες. Η επίδραση θορύβου μπορεί να προκαλέσει απώλεια ακοής.

ΠΕΡΑΙΤΕΡΟ ΟΔΗΓΙΕΣ ΑΣΦΑΛΕΙΑΣ ΚΑΙ ΧΡΗΣΕΩΣ

Χρησιμοποιείτε προστατευτικό εξοπλισμό. Κατά την εργασία με τη μηχανή φοράτε πάντα προστατευτικά γυαλιά. Συνιστούμε επίσης προστατευτική ενδυμασία όπως επίσης μάσκα προστασίας αναπνοής, προστατευτικά γάντια, σταθερά και ασφαλή στην ολίσθηση υποδήματα, κράνος και ωατοσπίδες.

Η σκόνη που δημιουργείται κατά την εργασία είναι συχνά επιβλαβής για την υγεία και δεν επιτρέπεται να έλθει στο σώμα. Να φοράτε κατάλληλη μάσκα προστασίας από σκόνη.

Μην επεξεργάζεστε επικίνδυνα για την υγεία υλικά (π.χ. αμίαντος).

Σε περίπτωση μπλοκαρίσματος της αριδας απενεργοποιήστε αμέσως τη συσκευή! Μην ενεργοποιείτε εκ νέου τη συσκευή όσο η αριδα είναι μπλοκαρισμένη. Σ' αυτή τη περίπτωση θα μπορούσε να προκύψει υψηλή ροπή αντίδρασης. Βρείτε την αιτία του μπλοκαρίσματος της αριδας και ξεμπλοκαρέτε την λαμβάνοντας υπόψη τις οδηγίες ασφαλείας.

Πιθανές αιτίες:

- Η αριδα μάγκωσε με το προς κατεργασία κομμάτι.

Όταν υπάρχει υπερβολική καταπόνηση ή υψηλή θερμοκρασία μπορεί να τρέξει υγρό μπαταρίας από τις χαλασμένες επαναφορτιζόμενες μπαταρίες. Αν έρθετε σε επαφή με υγρό μπαταρίας να πλυθείτε αμέσως με νερό και σαπούνι. Σε περίπτωση επαφής με τα μάτια να πλυθείτε σχολαστικά για τουλάχιστον 10 λεπτά και να αναζητήσετε αμέσως ένα γιατρό.

ΧΡΗΣΗ ΣΥΜΦΩΝΑ ΜΕ ΤΟ ΣΚΟΠΟ ΠΡΟΟΡΙΣΜΟΥ

Ο κρουστικός βιδωτήρας με συσσωρευτή προσφέρει πολλές δυνατότητες χρήσης για το βίδωμα και ξεβίδωμα βιδών και παξιμαδιών, ανεξάρτητα από το ρεύμα του δικτύου.

Αυτή η συσκευή επιτρέπεται να χρησιμοποιηθεί μόνο σύμφωνα με τον αναφερόμενο σκοπό προορισμού.

ΔΗΛΩΣΗ ΠΙΣΤΟΤΗΤΑΣ ΕΚ

Δηλώνουμε υπεύθυνα ότι το προϊόν που περιγράφεται στο κεφάλαιο «Τεχνικά χαρακτηριστικά» είναι συμβατό με τις διατάξεις της Κοινοτικής Οδηγίας 2011/65/EU (RoHS), 2004/108/ΕΚ, 2006/42/ΕΚ και με τα ακόλουθα εναρμονισμένα κανονιστικά έγγραφα:

EN 60745-1:2009 + A11:2010
EN 60745-2-1:2010
EN 60745-2-2:2010
EN 55014-1:2006 + A1:2009 + A2:2011
EN 55014-2:1997 + A1:2001 + A2:2008
EN 50581:2012

Winnenden, 2014-09-03



Alexander Krug
Managing Director

Εξουσιοδοτημένος να συντάξει τον τεχνικό φάκελο.

Techtronic Industries GmbH
Max-Eyth-Straße 10
71364 Winnenden
Germany

ΜΠΑΤΑΡΣΕ

Επιαναφορτίζετε τις ανταλλακτικές μπαταρίες που δεν έχουν χρησιμοποιηθεί για μεγαλύτερο χρονικό διάστημα πριν τη χρήση.

Μια θερμοκρασία πάνω από 50°C μειώνει την ισχύ της ανταλλακτικής μπαταρίας. Αποφύγετε τη θέρμανση για μεγαλύτερο χρονικό διάστημα από τον ήλιο ή τις συσκευές θέρμανσης.

Διατηρείτε τις επαφές σύνδεσης στο φορτιστή και στην ανταλλακτική μπαταρία καθαρές.

Για μια άριστη διάρκεια ζωής πρέπει μετά τη χρήση οι μπαταρίες να φορτιστούν πλήρως.

Για μια κατά το δυνατόν μεγάλη διάρκεια ζωής οι μπαταρίες μετά τη φόρτιση οφείλουν να αφαιρεθούν από το φορτιστή.

Για την αποθήκευση της μπαταρίας για διάστημα μεγαλύτερο των 30 ημερών:

Αποθηκεύετε τη μπαταρία περ. στους 27°C σε στεγνό χώρο. Αποθηκεύετε τη μπαταρία περ. στο 30%-50% της κατάστασης φόρτισης.

Κάθε 6 μήνες φορτίζετε εκ νέου τη μπαταρία.

ΠΡΟΣΤΑΣΙΑ ΥΠΕΡΦΟΡΤΩΣΗΣ ΤΗΣ ΜΠΑΤΑΡΙΑΣ

Σε υπερφόρτωση της μπαταρίας από πολύ υψηλή κατανάλωση ρεύματος, π. χ. από ακραίες υψηλές ροτές περιστροφής, μπλοκάρισμα του τρυπανιού, ξαφνικό stop ή βραχυκύκλωμα, δονείται το ηλεκτρικό εργαλείο για 5 δευτερόλεπτα, αναβοσβήνει η ένδειξη φόρτισης και το ηλεκτρικό εργαλείο απενεργοποιείται αυτόματα.

Για μια νέα ενεργοποίηση, αφήνετε ελεύθερο το διακόπτη και στη συνέχεια ενεργοποιείτε εκ νέου.

Κάτω από ακραίες καταπονήσεις θερμαίνεται πάρα πολύ η μπαταρία. Στην περίπτωση αυτή αναβοσβήνουν όλες οι λάμπες της ένδειξης φόρτισης μέχρι να έχει κρυώσει η μπαταρία. Μετά το σβήσιμο της ένδειξης φόρτισης μπορεί να συνεχιστεί η συνεργασία.

ΣΥΝΤΗΡΗΣΗ

Χρησιμοποιείτε μόνο πρόσθ. εξαρτήματα Milwaukee και ανταλλακτικά Milwaukee. Κατασκ. τμήματα, που η αλλαγή τους δεν περιγράφεται, αντικαθιστώνται σε μια τεχνική υποστήριξη της Milwaukee (βλέπε φυλλάδιο εγγύηση/ διευθύνσεις τεχνικής υποστήριξης).

Σε περίπτωση που το χρειαστείτε μπορείτε να παραγγείλετε λεπτομερές σχέδιο της συσκευής αναφέροντας τον τύπο και τον εξαψήφιο αριθμό που βρίσκεται στην πινακίδα τεχνικών χαρακτηριστικών από την εξυπηρέτηση πελατών ή απευθείας από την Techtronic Industries GmbH, διεύθυνση Max-Eyth-Straße 10, 71364 Winnenden, Germany.

ΜΕΤΑΦΟΡΑ ΤΩΝ ΜΠΑΤΑΡΙΑΩΝ ΙΟΝΤΩΝ ΛΙΘΙΟΥ

Οι μπαταρίες ιόντων λιθίου υπόκεινται στις απαιτήσεις των νομικών διατάξεων για την μεταφορά επικινδύνων εμπορευμάτων.

Η μεταφορά τέτοιων μπαταριών πρέπει να πραγματοποιείται πρώτاً τους τοπικούς, εθνικούς και διεθνείς κανονισμούς και τις αντίστοιχες διατάξεις.

- Επιτρέπεται η μεταφορά τέτοιων μπαταριών στο δρόμο χωρίς περαιτέρω απαιτήσεις.
- Η εμπορική μεταφορά μπαταριών ιόντων λιθίου από εταιρείες μεταφορών υπόκειται στις απαιτήσεις των νομικών διατάξεων για την μεταφορά επικινδύνων εμπορευμάτων. Οι προτοιμασίες αποστολής και η μεταφορά πραγματοποιούνται αποκλειστικά από ειδικά εκπαιδευμένα πρόσωπα. Η συνολική διαδικασία συνοδεύεται από εξειδικευμένο προσωπικό.

Κατά τη μεταφορά μπαταριών ιόντων λιθίου πρέπει να προσέχετε τα εξής:

- Φροντίστε τα σημεία επαφών να είναι προστατευμένα και μονωμένα ώστε να αποφευχθούν βραχυκυκλώματα.
- Προσέξτε το πακέτο μπαταριών να είναι σταθερό μέσα στη συσκευασία και να μη γλιστρά.
- Η μεταφορά μπαταριών που παρουσιάζουν φθορές ή διαρροές δεν επιτρέπεται.

Για περισσότερες πληροφορίες απευθυνθείτε στην εταιρεία μεταφορών.

ΣΥΜΒΟΛΑ



ΠΡΟΣΟΧΗ! ΠΡΟΕΙΔΟΠΟΙΗΣΗ! ΚΙΝΔΥΝΟΣ!



Πριν από κάθε εργασία στη μηχανή αφαιρείτε την ανταλλακτική μπαταρία.



Παρακαλώ διαβάστε σχολαστικά τις οδηγίες χρήσης πριν από την έναρξη λειτουργίας.



Ηλεκτρικά μηχανήματα δεν επιτρέπεται να απορρίπτονται μαζί με τα οικιακά απορρίμματα.

Ηλεκτρικά και ηλεκτρονικά μηχανήματα συλλέγονται ξεχωριστά και παραδίδονται προς ανακύκλωση με τρόπο φιλικό προς το περιβάλλον σε επιχείρηση επεξεργασίας απορριμμάτων.

Ενημερωθείτε από τις τοπικές υπηρεσίες ή από ειδικευμένους εμπόρους σχετικά με κέντρα ανακύκλωσης και συλλογής απορριμμάτων.

Σήμα συμμόρφωσης CE



EurAsian σήμα πιστότητας.

TEKNİK VERİLER VURMALI AKÜ VIDASI HD 28 IW

| | |
|---|-----------------------------------|
| Üretim numarası..... | 4313 03 01... ...000001-999999 |
| Tornavida ucu kovani..... | ■ 1/2" (13 mm) |
| Boştaki devir sayısı..... | 0-1450 min ⁻¹ |
| Maksimum darbe sayısı..... | 0-2450 min ⁻¹ |
| Tork..... | 440 Nm |
| Maksimum vida büyüklüğü / somun büyüklüğü..... | 1" (M25) |
| Kartuş akü gerilimi..... | 28 V |
| Ağırlığı ise EPTA-üretici 01/2003'e göre. (3,0 Ah)..... | 4,1 kg |

Gürültü bilgileri

Ölçüm değerleri EN 60 745 e göre belirlenmektedir.
Aletin, frekansa bağımlı uluslararası ses basıncı seviyesi değerlendirme eğrisi A'ya göre tipik gürültü seviyesi:

| | |
|--|------------|
| Ses basıncı seviyesi (Tolerans K=3dB(A))..... | 101 dB (A) |
| Akustik kapasite seviyesi (Tolerans K=3dB(A))..... | 112 dB (A) |

Koruyucu kulaklık kullanın!

Vibrasyon bilgileri

Toplam titreşim değeri (üç yönün vektör toplamı) EN 60745'e göre belirlenmektedir:

| | |
|--|-----------------------|
| Maksimum ebatta vida ve somunların sıkılması Titreşim emisyon değeri a _{h, ID} | 10,1 m/s ² |
| Tolerans K=..... | 1,5 m/s ² |

UYARI

Bu talimatlarda belirtilen titreşim seviyesi, EN 60745 standardına uygun bir ölçme metodu ile ölçülmüştür ve elektrikli el aletleri birbiriyle karşılaştırmak için kullanılabilir. Ölçüm sonuçları ayrıca titreşim yükünün geçici değerlendirilmesi için de uygundur.

Belirtilen titreşim seviyesi, elektrikli el aletinin genel uygulamaları için geçerlidir. Ancak elektrikli el aleti başka uygulamalar için, farklı eklenti parçalarıyla ya da yetersiz bakım koşullarında kullanılırsa, titreşim seviyesi farklılık gösterebilir. Bu durumda, titreşim yükü toplam çalışma zaman aralığı içerisinde belirgin ölçüde yükselebilir.

Titreşim yükünün tam bir değerlendirmesi için ayrıca cihazın kapalı olduğu süreler ve cihazın çalışır durumda olduğu, ancak gerçek kullanımda bulunmadığı süreler de dikkate alınmalıdır. Böylelikle, toplam çalışma zamanı aralığı boyunca meydana gelen titreşim yükü belirgin ölçüde azaltılabilir.

Kullanıcıyı titreşimlerin etkisinden korumak üzere, örneğin elektrikli el aletlerinin ve eklenti parçalarının bakımı, ellerin sıcak tutulması ve iş akışlarının organizasyonu gibi ek güvenlik tedbirleri belirleyiniz.

UYARI! Bütün güvenlik notlarını ve talimatları okuyunuz. Açıklanan uyarılara ve talimat hükümlerine uyulmadığı takdirde elektrik çarpmalarına, yangınlara ve/veya ağır yaralanmalara neden olunabilir.
Bütün uyarıları ve talimat hükümlerini ileride kullanmak üzere saklayın.

TORNAVIDALAR İÇİN GÜVENLİK AÇIKLAMASI:

Vidayı büken ve elektrik hattına maruz kalabilen çalışmalar yaparken cihazın izole edilmiş bulunan tutacak kolundan tutun. Voltaj altında kalan vida ile temas edilmesi, metal cihaz parçalarına elektrik akımı verebilir ve bu da elektrik çarpmasına neden ol.

Koruyucu kulaklık kullanın. Çalışırken çıkan gürültü işitme kayıplarına neden olabilir.

EK GÜVENLİK VE ÇALIŞMA TALİMATLARI

Koruma teçhizatı kullanın.Makinada çalışırken devamlı surette koruyucu gözlük takın. Koruyucu elbise ve tozlardan korunma maskesi, emniyet eldivenleri ve sağlam ve kaymaya mukavim ayakkabı giyin. Başlık ve kulaklık tavsiye edilir.

Çalışma sırasında ortaya çıkan toz genellikle sağlığa zararlıdır ve bedeninize temas etmemelidir. Uygun bir koruyucu toz maskesi kullanın

Sağlık tehlikelerine neden olan malzemelerin işlenmesi yasaktır (örn. asbest).

Uca yerleştirilen takımın bloke olması halinde lütfen cihazı hemen kapatın! Uca yerleştirilen takım bloke olduğu süreçte cihazı tekrar çalıştırmayın; bu sırada yüksek reaksiyon momentine sahip bir geri tepme meydana gelebilir. Uca yerleştirilen takımın neden bloke olduğuna bakın ve bu durumu güvenli uyarılarına dikkat ederek gidirin.

Olası nedenler şunlar olabilir:

- İşlenen parça içinde takılma
- İşlenen malzemenin delinmesi
- Elektrikli alete aşırı yük binmesi

Ellerinizi çalışmakta olan makinenin içine uzatmayın.

Uca yerleştirilen takım kullanım sırasında ısınabilir.

- UYARI!** Yanma tehlikesi
- takım değiştirme sırasında
- aletin yere bırakılması sırasında

Alet çalışır durumda iken talaş ve kırpıntıları temizlemeye çalışmayın.

Duvar, tavan ve zeminde delik açarken elektrik kablolarına, gaz ve su borularına dikkat edin.

İşlenen parçayı bir germe tertibatıyla emniyete alın. Emniyete alınmayan iş parçaları ağır yaralanmalar ve hasarlara neden olabilir.

Aletin kende bir çalışma yapmadan önce kartuş aküyü çıkarın.

Kullanılmış kartuş aküleri ateşe veya ev çöplerine atmayın. Milwaukee, kartuş akülerin çevreye zarar vermeyecek biçimde tasfiye edilmesine olanak sağlayan hizmet sunar; lütfen bu konuda yetkili satıcınızdan bilgi alın.

Kartuş aküleri metal parça veya eşyalarla birlikte saklamayın (kısa devre tehlikesi).

V-Tec sistemli kartuş aküleri sadece V-Tec sistemli şarj cihazları ile şarj edin. Başka sistemli aküleri şarj etmeyin.

Kartuş aküleri ve şarj cihazını açmayın ve sadece kuru yerlerde saklayın. Neme ve ıslanmaya karşı koruyun.

Aşırı zorlanma veya aşırı ısınma sonucu hasar gören kartuş akülerden batarya sıvısı dışarı akabilir. Batarya sıvısı ile temasa gelen yeri hemen bol su ve sabunla yıkayın. Batarya sıvısı gözünüze kaçacak olursa en azından 10 dakika yıkayın ve zaman geçirmeden bir hekime başvurun.

KULLANIM

Akülü darbeli tork anahtarları elektrik akımı şebekesinden bağımsız olarak vida ve somunların sıkılıp gevşetilmesinde çok yönlü olarak kullanılabilir.

Bu alet sadece belirttiği gibi ve usulüne uygun olarak kullanılabilir.

CE UYGUNLUK BEYANI

Tek sorumlu olarak "Teknik Veriler" bölümünde tarif edilen ürünün 2011/65/EU (RoHS), 2004/108/EC, 2006/42/EC sayılı direktifin ve aşağıdaki harmonize temel belgelerin bütün önemli hükümlerine uygun olduğunu beyan etmekteyiz:

EN 60745-1:2009 + A11:2010
EN 60745-2-1:2010
EN 60745-2-2:2010
EN 55014-1:2006 + A1:2009 + A2:2011
EN 55014-2:1997 + A1:2001 + A2:2008
EN 50581:2012

Winnenden, 2014-09-03

Alexander Krug

Alexander Krug
Managing Director



Teknik evrakları hazırlamakla görevlendirilmiştir.

Techtronic Industries GmbH
Max-Eyth-Straße 10
71364 Winnenden
Germany

AKÜ

Uzun süre kullanım dışı kalmış kartuş aküleri kullanmadan önce şarj edin.

50°C üzerindeki sıcaklıklar kartuş akünün performansını düşürür. Akünün güneş ışığı veya mekân sıcaklığı altında uzun süre ısınmasına dikkat edin.

Şarj cihazı ve kartuş aküdeki bağlantı noktalarını temiz tutun.

Akünün ömrünün mükemmel bir şekilde uzun olması için kullandıktan sonra tamamen doldurulması gerekir.

Ömrünün mümkün olduğu kadar uzun olması için akülerin yüklemeye yapıldıktan sonra doldurma cihazından uzaklaştırılması gerekir.

Akünün 30 günden daha fazla depolanması halinde:

Aküyü yaklaşık 27°C'de kuru olarak depolayın.
Aküyü yüklemeye durumunun takriben % 30 - %50 olarak depolayın.
Aküyü her 6 ay yeniden doldurun.

AKÜNÜN AŞIRI YÜKLENMEYE KARŞI KORUNMASI

Pek fazla elektrik tüketimi yapılmak suretiyle aküye fazla yüklenildiğinde, örneğin aşırı devir momentleri, matkap sıkıştırması, aniden durma veya kısa devre, elektrikli alet 2 saniye garip sesler çıkarır ve kendiliğinden durur. Aleti yeniden çalıştırmak için şalter baskı kolunu serbest bırakın ve bundan sonra tekrar çalıştırın. Aşırı yüklenme durumunda ise akü pek fazla ısınır. Bu durumda akü kendiliğinden durur.
Aküyü tekrar doldurmak ve aktif hale getirmek amacı ile şarja bağlayın.

BAKIM

Sadece Milwaukee aksesuarı ve yedek parçası kullanın. Nasıl değiştirileceği açıklanmamış olan yapı parçalarını bir Milwaukee müşteri servisinde değiştirin (Garanti ve servis adresi broşürüne dikkat edin).

Gerektiğinde cihazın ayrıntılı çizimini, güç levhası üzerindeki makine modelini ve altı haneli rakamı belirterek müşteri

servisinizden veya doğrudan Techtronic Industries GmbH, Max-Eyth-Straße 10, 71364 Winnenden, Germany adresinden isteyebilirsiniz.

LİTYUM İYON PİLLERİN TAŞINMASI

Lityum iyon piller tehlikeli madde taşımacılığı hakkındaki yasal hükümler tabidir.

Bu piller, bölgesel, ulusal ve uluslararası yönetmeliklere ve hükümlere uyularak taşınmak zorundadır.

- Tüketiciler bu pilleri herhangi bir özel şart aranmaksızın karayoluyla taşıyabilirler.
- Lityum iyon pillerin nakliye şirketleri tarafından ticari taşımacılığı için tehlikeli madde taşımacılığının hükümleri geçerlidir. Sevk hazırlığı ve taşıma sadece ilgili eğitimi görmüş personel tarafından gerçekleştirilebilir. Bütün süreç uzmanca bir refakatçilik altında gerçekleştirilmek zorundadır.

Pillerin taşınması sırasında aşağıdaki hususlara dikkat edilmesi gerekmektedir:

- Kısa devre oluşmasını önlemek için kontaktların korunmuş ve izole edilmiş olmasını sağlayınız.
- PİL paketinin ambalajı içinde kaymamasına dikkat ediniz.
- Hasarlı veya akmış pillerin taşınması yasaktır.

Ayrıca bilgiler için nakliye şirketinize başvurunuz.

SEMBOLLER



DIKKAT! UYARI! TEHLİKE!



Aletin kende bir çalışma yapmadan önce kartuş aküyü çıkarın.



Lütfen aleti çalıştırmadan önce kullanma kılavuzunu dikkatli biçimde okuyun.



Elektrikli cihazların evsel atıklarla birlikte bertaraf edilmesi yasaktır. Elektrikli ve elektronik cihazlar ayrılarak biriktirilmeli ve çevreye zarar vermeden bertaraf edilmeleri için bir atık değerlendirme tesisine götürülmelidir. Yerel makamlara veya satıcınıza geri dönüşüm tesisleri ve atık toplama merkezlerinin yerlerini danışınız.



CE işareti

EurAsian Uyumluluk işareti

TECHNICKÁ DATA AKU RÁZOVÉ UTAHOVÁKY HD 28 IW

| | |
|--|--------------------------|
| Výrobní číslo..... | 4313 03 01... |
| | ...000001-999999 |
| Uchycení nástroje..... | ■ 1/2" (13 mm) |
| Počet otáček při běhu naprázdno..... | 0-1450 min ⁻¹ |
| Počet úderů při zatížení..... | 0-2450 min ⁻¹ |
| Krouticí moment..... | 440 Nm |
| Maximální velikost šroubu / velikost matice..... | 1" (M25) |
| Napětí výměnného akumulátoru..... | 28 V |
| Hmotnost podle prováděcího předpisu EPTA 01/2003 (3,0 Ah)..... | 4,1 kg |

Informace o hluku

Naměřené hodnoty odpovídají EN 60 745.

V třídě A posuzovaná hladina hluku přístroje činí typicky:

| | |
|---|------------|
| Hladina akustického tlaku (Kolisavost K=3dB(A))..... | 101 dB (A) |
| Hladina akustického výkonu (Kolisavost K=3dB(A))..... | 112 dB (A) |

Používejte chrániče sluchu!

Informace o vibracích

Celkové hodnoty vibrací (vektorový součet tří směrů)

zjištěné ve smyslu EN 60745.

Útažení šroubů a matic maximální velikosti

| | |
|--|-----------------------|
| Hodnota vibračních emisí a _{h,10} | 10,1 m/s ² |
| Kolisavost K=..... | 1,5 m/s ² |

VAROVÁN

Úroveň chvění uvedená v tomto návodu byla naměřena podle metody měření stanovené normou EN 60745 a může být použita pro porovnání elektrického nářadí. Hodí se také pro přibližný odhad zatížení chvěním.

Uvedená úroveň chvění představuje hlavní účely použití elektrického nářadí. Jestliže se ale elektrické nářadí používá pro jiné účely, s odlišnými nástroji nebo s nedostatečnou údržbou, může se úroveň chvění odlišovat. To může značně zvýšit zatížení chvěním během celé pracovní doby.

Pro přesný odhad zatížení chvěním se musí také zohlednit časy, během kterých je přístroj vypnutý nebo kdy je sice v chodu, ale skutečně se s ním nepracuje. To může zatížení chvěním během celé pracovní doby značně snížit.

Stanovte doplňková bezpečnostní opatření pro ochranu obsluhy před účinky chvění jako například: technická údržba elektrického nářadí a nástrojů, udržování teploty rukou, organizace pracovních procesů.

⚠ UPOZORNĚNÍ! Přečtěte si všechny bezpečnostní pokyny a návody. Zanedbání při dodržování varovných upozornění a pokynů mohou mít za následek úder elektrickým proudem, požár a/nebo těžká poranění. **Všechna varovná upozornění a pokyny do budoucna uschovejte.**

⚠ BEZPEČNOSTNÍ POKYNY PRO PRÁCI SE ŠROUBOVÁKEM:

Přístroj držte za izolované plochy, pokud provádíte práce, při kterých může šroub zasáhnout skrytá elektrická vedení. Kontakt šroubu s vedením pod napětím může přivést napětí na kovové části přístroje a způsobit elektrický ráz.

Používejte chrániče sluchu. Působením hluku může dojít k poškození sluchu.

DALŠÍ BEZPEČNOSTNÍ A PRACOVNÍ POKYNY

Použijte ochranné vybavení. Při práci s elektrickým nářadím používejte vždy ochranné brýle. Doporučujeme rovněž použití součástí ochranného oděvu a ochranné obuvi, jako protiprašné masky, ochranných rukavic, pevné a nekouzající obuvi, ochranné přilby a ochrany sluchu.

Prach vznikající při práci s tímto nářadím může být zdraví škodlivý. Proto by neměl přijít do styku s tělem. Používejte při práci vhodnou ochranou masku.

Nesmějí se opravovat materiály, které mohou způsobit ohrožení zdraví (např. azbest)

Při zablokování nasazeného nástroje přístroj okamžitě vypněte! Přístroj nezapínejte, pokud je nasazený nástroj zablokovaný; mohl by při tom vzniknout zpětný náraz s vysokým reakčním momentem. Zjistěte příčinu zablokování nasazeného nástroje a odstraňte ji při dodržení bezpečnostních pokynů.

Možnými příčinami mohou být:

- vzpříčení v opracovávaném obrobku
- přelomení opracovávaného materiálu
- přetížení elektrického přístroje

Nezasahujte do běžícího stroje.

Nasazený nástroj se může během používání rozpálit.

VAROVÁNÍ! Nebezpečí popálení.

- při výměně nástroje
- při odkládání přístroje

Pokud stroj běží, nesmí být odstraňovány třísky nebo odštěpky.

Při vrtní do zdi, stropu nebo podlahy dávat pozor na elektrické kabely, plynová a vodovodní potrubí.

Obrobek zabezpečte upínacím zařízením. Nezabezpečené obrobky mohou způsobit těžká poranění a poškození.

Před zahájením veškerých prací na vrtacím šroubovákem vyjmout výměnný akumulátor.

Použitě nevyhazujte do domovního odpadu nebo do ohně. Milwaukee nabízí ekologickou likvidaci starých článků, ptejte se u vašeho obchodníka s nářadím.

Náhradní akumulátor neskladujte s kovovými předměty, nebezpečí zkratů.

Akumulátor systému V-Tec nabíjejte pouze nabíječkou systému V-Tec. Nenabíjejte akumulátory jiných systémů.

Náhradní akumulátory ani nabíječku neotvírejte, skladujte je v suchu, chraňte před vlhkem.

Při extrémní zátěži či vysoké teplotě může z akumulátoru vytékat kapalina. Při zasažení touto kapalinou okamžitě zasažená místa omyjte vodou a mýdlem. Při zasažení očí okamžitě důkladně po dobu alespoň 10min. omývat a neodkládně vyhledat lékaře.

OBLAST VYUŽITÍ

Nárazový utahovák s akumulátorem je univerzálně použitelný k utahování a uvolňování šroubů a matic nezávisle na přípojce k síti.

Toto zařízení lze používat jen pro uvedený účel.

CE-PROHLÁŠENÍ O SHODĚ

Výhradně na vlastní zodpovědnost prohlašujeme, že se výrobek popsaný v "Technických údajích" shoduje se všemi relevantními předpisy směrnice 2011/65/EU (RoHS), 2004/108/ES, 2006/42/ES a s následujícími harmonizovanými normativními dokumenty:

EN 60745-1:2009 + A11:2010
EN 60745-2-1:2010
EN 60745-2-2:2010
EN 55014-1:2006 + A1:2009 + A2:2011
EN 55014-2:1997 + A1:2001 + A2:2008
EN 50581:2012

Winnenden, 2014-09-03



Alexander Krug
Managing Director



Zplnomocněn k sestavování technických podkladů.

Techtronic Industries GmbH
Max-Eyth-Straße 10
71364 Winnenden
Germany

AKUMULÁTORY

Déle nepoužívané akumulátory je nutné před použitím znovu nabít.

Teplota přes 50°C snižuje výkon akumulátoru. Chraňte před dlouhým přehříváním na slunci či u topení.

Kontakty nabíječky a akumulátoru udržujte v čistotě.

Optimální životnost akumulátorů se zajistí, když se po použití vždy plně nabijí.

K zabezpečení dlouhé životnosti by se akumulátory měly po nabití vyjmout z nabíječky.

Při skladování akumulátoru po dobu delší než 30 dní:

Skladujte akumulátor v suchu při cca 27°C.

Skladujte akumulátor při cca 30%-50% nabíjecí kapacity.

Opakujte nabíjení akumulátoru každých 6 měsíců.

OCHRANA PROTI PŘETÍŽENÍ AKUMULÁTORU

Při přetížení akumulátoru přilší vysokým odběrem proudu, například při extrémně vysokých točivých momentech, při blokování vrtáku, náhlém zastavení nebo zkratu, začne vrtáčka na 2 sekundy bruchet a poté se samočinně vypne. K opětovnému zapnutí uvolněte spínací tlačítko a poté jej opět zapněte.

Při extrémním zatížení se akumulátor může silně zahřát.

Dojde-li k tomu, akumulátor se vypne.

Akumulátor v tomto případě k dobítí a aktivaci vložte opět do nabíječky.

ÚDRŽBA

Používat výhradně příslušenství Milwaukee a náhradní díly Milwaukee. Díly jejichž výměny nebyla popsána, nechte vyměnit v autorizovaném servisu (viz. Záruky / Seznam servisních míst)

V případě potřeby si můžete v servisním centru pro zákazníky nebo přímo od firmy Techtronic Industries GmbH, Max-Eyth-Straße 10, 71364 Winnenden, Německo vyžádat schematický náčrt jednotlivých dílů přístroje, když uvedete typ přístroje a šestmístné číslo na výkonovém štítku.

PŘEPRAVA LITHIUM-IONTOVÝCH BATERIÍ

Lithium-iontové baterie spadají podle zákonných ustanovení pod přepravu nebezpečného nákladu.

Přeprava těchto baterií se musí realizovat s dodržováním lokálních, vnitrostátních a mezinárodních předpisů a ustanovení.

- Spotřebitelé mohou tyto baterie bez problémů přepravovat po komunikacích.
- Komerční přeprava lithium-iontových baterií prostřednictvím přepravních firem podléhá ustanovením o přepravě nebezpečného nákladu. Přípravu k vyexpedování a samotnou přepravu směji vykonávat jen příslušně vyškolené osoby. Na celý proces se musí odborně dohlížet.

Při přepravě baterií je třeba dodržovat následující:

- Zajistěte, aby kontakty byly chráněné a izolované, aby se zamezilo zkratům.
- Dávejte pozor na to, aby se svazek baterií v rámci balení nemohl sesmeknout.
- Poškozené a vyteklé baterie se nesmějí přepravovat.

Ohledně dalších informací se obraťte na vaši přepravní firmu.

SYMBOLY



POZOR! VAROVÁN! NEBEZPEČÍ!



Před zahájením veškerých prací na vrtacím šroubovákem vyjmout výměnný akumulátor.



Před spuštěním stroje si pečlivě přečtěte návod k používání.



Elektrické přístroje se nesmí likvidovat společně s odpadem z domácnosti. Elektrické a elektronické přístroje je třeba sbírat odděleně a odevzdat je v recyklačním podniku na ekologickou likvidaci. Na místních úřadech nebo u vašeho specializovaného prodejce se informujte na recyklační podniky a sběrné dvory.



Značka CE



Euroasijská značka shody

| | |
|--|-----------------------------------|
| Výrobné číslo..... | 4313 03 01... ...000001-999999 |
| Upnutie nástroja..... | ■ 1/2" (13 mm) |
| Otáčky naprázdno..... | 0-1450 min ⁻¹ |
| Počet úderov..... | 0-2450 min ⁻¹ |
| Točivý moment..... | 440 Nm |
| Maximálna veľkosť skrutky / veľkosť matice..... | 1" (M25) |
| Napätie výmenného akumulátora..... | 28 V |
| Hmotnosť podľa vykonávacieho predpisu EPTA 01/2003 (3,0 Ah)..... | 4,1 kg |

Informácia o hluku

Namerané hodnoty určené v súlade s EN 60 745.

V triede A posudzovaná hladina hluku prístroja činí typicky:

| | |
|---|------------|
| Hladina akustického tlaku (Kolísavosť K=3dB(A))..... | 101 dB (A) |
| Hladina akustického výkonu (Kolísavosť K=3dB(A))..... | 112 dB (A) |

Používajte ochranu sluchu!

Informácie o vibráciách

Celkové hodnoty vibrácií (vektorový súčet troch smerov) zistených zmysle EN 60745.

Utiahnutie skrutiek a matíc maximálnej veľkosti

| | |
|---|-----------------------|
| Hodnota vibračných emisií a _{h,10} | 10,1 m/s ² |
| Kolísavosť K=..... | 1,5 m/s ² |

POZOR

Úroveň vibrácií uvedená v týchto pokynoch bola nameraná meracou metódou, ktorú stanovuje norma EN 60745 a je možné ju použiť na vzájomné porovnanie elektrického náradia. Hodí sa aj na predbežné posúdenie kmitavého namáhania.

Uvedená úroveň vibrácií reprezentuje hlavné aplikácie elektrického náradia. Ak sa však elektrické náradie používa pre iné aplikácie, s odlišnými vloženými nástrojmi alebo s nedostatočnou údržbou, môže sa úroveň vibrácií líšiť. Toto môže kmitavé namáhanie v priebehu celej pracovnej doby podstatne zvýšiť.

Pre presný odhad kmitavého namáhania by sa mali tiež zohľadniť doby, v ktorých je náradie vypnuté alebo je síce v chode, ale v skutočnosti sa nepoužíva. Toto môže kmitavé namáhanie v priebehu celej pracovnej doby zreteľne redukovať.

Stanovte dodatočné bezpečnostné opatrenia pre ochranu obsluhy pred účinkami vibrácií, ako napríklad: údržba elektrického náradia a vložených nástrojov, udržiavanie teploty rúk, organizácia pracovných postupov.

! UPOZORNENIE! Prečítajte si všetky bezpečnostné pokyny a návody. Zanedbanie dodržiavania Výstražných upozornení a pokynov uvedených v nasledujúcom texte môže mať za následok zásah elektrickým prúdom, spôsobiť požiar a/alebo ťažké poranenie.
Tieto Výstražné upozornenia a bezpečnostné pokyny starostlivo uschovajte na budúce použitie.

! BEZPEČNOSTNÉ POKYNY PRE PRÁCU SO SKRUTKOVACOM:

Kadar izvajate dela pri katerih lahko sveder zadane v prikriti električne vode, držite napravo za izolirane prijemalne površine. Stik svedra z električnim vodnikom lahko kovinske deli naprave spravi pod napetost in vodi do električnega udara.

Používajte ochranu sluchu. Pôsobenie hluku môže spôsobiť stratu sluchu.

ĎALŠIE BEZPEČNOSTNÉ A PRACOVNÉ POKYNY

Použite ochranné vybavenie. Pri práci s elektrickým náradím používajte vždy ochranné okuliare. Doporučujeme taktiež použitie súčastí ochranného odevu a ochrannej obuvi, ako sú protiprašná maska, ochranné rukavice, pevná a nekľzajúca obuv, ochranná prilba a ochrana sluchu.

Prach vznikajúci pri práci môže byť škodlivý zdraviu. Pri práci nosiť vhodnú ochrannú masku, aby sa nedostal do ľudského organizmu.

Nesmú sa opravovať materiály, ktoré môžu spôsobiť ohrozenie zdravia (napr. azbest)

Pri zablokovaní nasadeného nástroja prístroj okamžite vypnite! Prístroj nezapínajte, pokiaľ je nasadený nástroj zablokovaný; mohol by pri tom vzniknúť spätný náraz s vysokým reakčným momentom. Príčinu zablokovania nasadeného nástroja zistite a odstráňte so zohľadnením bezpečnostných pokynov.

Možnými príčinami môžu byť:

- spriečenie v opracovanom obrobku
- prelomenie opracovaného materiálu
- preťaženie elektrického prístroja

Nezasahujte do bežiaceho stroja.

Nasadený nástroj sa počas používania môže rozhorúčiť.

POZOR! Nebezpečenstvo popálenia

- pri výmene nástroja
- pri odkladaní prístroja

Triesky alebo úlomky sa nesmú odstraňovať za chodu stroja.

Pri práci v stene, strope alebo v podlahe dávajte pozor na elektrické káble, plynové a vodovodné potrubia.

Obrobok zabezpečte upínacím zariadením. Nebezpečené obrobky môžu spôsobiť ťažké poranenia a poškodenia.

Pred každou prácou na stroji výmenný akumulátor vytriahnuť.

Opatrované výmenné akumulátory nezahadzujte do ohňa alebo medzi domový odpad. Milwaukee ponúka likvidáciu starých výmenných akumulátorov, ktorá je v súlade s ochranou životného prostredia; informujte sa u Vášho predajcu.

Výmenné akumulátory neskladovať spolu s kovovými predmetmi (nebezpečenstvo skratu).

Výmenné akumulátory systému V-Tec nabíjajú len nabíjacími zariadeniami systému V-Tec. Akumulátory iných systémov týmto zariadením nenabíjajú.

Výmenné akumulátory a nabíjacie zariadenia neotvárajte a skladovať len v suchých priestoroch. Chrániť pred vlhkosťou.

Pri extrémnych záťažach alebo extrémnych teplotách môže dôjsť k vytekaniu batérievej tekutiny z poškodeného výmenného akumulátora. Ak dôjde ku kontaktu pokožky s

roztokom, postihnuté miesto umyť vodou a mydlom. Ak sa roztok dostane do očí, okamžite ich dôkladne vypláchnuť po dobu min. 10 min a bezodkladne vyhľadať lekára.

POUŽITIE PODĽA PREDPISOV

AKU-príkľepový skrutkovač je univerzálne použiteľný na upevňovanie a uvoľňovanie skrutiek a matíc nezávisle na sieťovej pripojke.

Tento prístroj sa smie používať len v súlade s uvedenými predpismi.

CE - VYHLÁSENIE KONFORMITY

Výhradne na vlastnú zodpovednosť vyhlasujeme, že výrobok popísaný v "Technických údajoch" sa zhoduje so všetkými relevantnými predpismi smernice 2011/65/EU (RoHS), 2004/108/EC, 2006/42/EC a nasledujúcimi harmonizujúcimi normatívnymi dokumentmi:

- EN 60745-1:2009 + A11:2010
- EN 60745-2-1:2010
- EN 60745-2-2:2010
- EN 55014-1:2006 + A1:2009 + A2:2011
- EN 55014-2:1997 + A1:2001 + A2:2008
- EN 50581:2012

Winnenden, 2014-09-03

Alexander Krug

Alexander Krug
Managing Director



Splnomocnený zostaviť technické podklady.

Techtronic Industries GmbH
Max-Eyth-Straße 10
71364 Winnenden
Germany

AKUMULÁTORY

Dlhší čas nepoužívané výmenné akumulátory pred použitím dobiť.

Teplota vyššia ako 50°C znižuje výkon výmenného akumulátora. Zabráňte dlhšiemu ohriatiu slnkom alebo kúrením.

Pripájacie kontakty na nabíjacom zariadení a výmennom akumulátore udržiavať čisté.

K zachováni optimální životnosti se baterie musejí po použití vždy úplně dobiť.

K zabezpečeniu dlhej životnosti by sa akumulátory mali po nabití vybrať z nabíjačky.

Pri skladovaní akumulátora po dobu dlhšiu než 30 dní: Skladujte akumulátor v suchu pri cca 27°C.

Skladujte akumulátor pri cca 30%-50% nabíjacej kapacity. Opakujte nabíjanie akumulátora každých 6 mesiacov.

OCHRANA PROTI PREŤAŽENIU AKUMULÁTORA

Pri preťažení akumulátora príliš vysokým odberom prúdu, napríklad pri extrémne vysokých točivých momentoch, pri blokovaní vrtáka, náhлом zastavení alebo skrate, začne vrtáčka na 2 sekundy hučať a potom sa samočinne vypne. K opätovnému zapnutiu uvoľnite spínacie tlačidlo a potom ho opäť zapnite.

Pri extrémnom zaťažení sa akumulátor môže silne zahriať. Ak k tomu dôjde, akumulátor sa vypne.

Akumulátor v tomto prípade k dobitiu a aktivácii vložte opäť do nabíjačky.

ÚDRZBA

Používať len Milwaukee príslušenstvo a Milwaukee náhradné diely. Súčiastky bez návodu na výmenu treba dat vymeniť v jednom z Milwaukee zákazníckych centier (viď brožúru Záruka/Adresy zákazníckych centier).

V prípade potreby si môžete v servisnom centre pre zákazníkov alebo priamo od firmy Techtronic Industries GmbH, Max-Eyth-Straße 10, 71364 Winnenden, Nemecko, vyžiadať schematický náčrt jednotlivých dielov prístroja pri uvedení typu prístroja a šesťmiestneho čísla na výkonovom štítku.

PREPRAVA LÍTIOVO-IÓNOVÝCH BATÉRIÍ

Lítiovo-iónové batérie podľa zákonných ustanovení spadajú pod prepravu nebezpečného nákladu.

Preprava týchto batérií sa musí realizovať s dodržiavaním lokálnych, vnútroštátnych a medzinárodných predpisov a ustanovení.

- Spotrebiteľi môžu tieto batérie bez problémov prepravovať po cestách.
- Komerčná preprava lítiovo-iónových batérií prostredníctvom špedičných firiem podlieha ustanoveniam o preprave nebezpečného nákladu. Prípravu k vyexpedovaniu a samotnú prepravu smú vykonávať iba adekvátne vyškolené osoby. Na celý proces sa musí odborné dohliadať.

Pri preprave batérií treba dodržiavať nasledovné:

- Zabezpečte, aby boli kontakty chránené a izolované, aby sa zamedžilo skratom.
- Dávajte pozor na to, aby sa zvázok batérií v rámci balenia nemohol zošmyknúť.
- Poškodené a vytečené batérie sa nesmú prepravovať.

Kvôli ďalším informáciám sa obráťte na vašu špedičnú firmu.

SYMBOLY



POZOR! NEBEZPEČENSTVO!



Pred každou prácou na stroji výmenný akumulátor vytriahnuť.



Pred prvým použitím prístroja si pozorne prečítajte návod na obsluhu.



Elektrické prístroje sa nesmú likvidovať spolu s odpadom z domácností. Elektrické a elektronické prístroje treba zbierať oddelene a odovzdať ich v recyklačnom podniku na ekologickú likvidáciu. Na miestnych úradoch alebo u vášho špecializovaného predajcu sa spýtajte na recyklačné podniky a zberné dvory.



Značka CE

Eurozájiská značka zhody

DANE TECHNICZNE KLUCZ UDAROWY AKUMULATOROWY HD 28 IW

| | |
|--|-----------------------------------|
| Numer produkcyjny..... | 4313 03 01... ...000001-999999 |
| Gniazdo końcówki | ■ 1/2" (13 mm) |
| Prędkość bez obciążenia..... | 0-1450 min ⁻¹ |
| Częstotliwość udaru..... | 0-2450 min ⁻¹ |
| Moment obrotowy | 440 Nm |
| Maksymalna wielkość śruby / nakrętki | 1" (M25) |
| Napięcie baterii akumulatorowej..... | 28 V |
| Ciężar wg procedury EPTA 01/2003 (3,0 Ah)..... | 4,1 kg |

Informacja dotycząca szumów

Zmierzone wartości wyznaczono zgodnie z normą EN 60 745.

Poziom szumów urządzenia oszacowany jako A wynosi typowo:

| | |
|--|------------|
| Poziom ciśnienia akustycznego (Niepewność K=3dB(A))..... | 101 dB (A) |
| Poziom mocy akustycznej (Niepewność K=3dB(A))..... | 112 dB (A) |

Należy używać ochroniaczy uszu!**Informacje dotyczące wibracji**

Wartości łączne drgań (suma wektorowa trzech kierunków) wyznaczone zgodnie z normą EN 60745

Przykręcanie śrub i nakrętek maksymalnej wielkości

| | |
|--|-----------------------|
| Wartość emisji drgań a _{h,10} | 10,1 m/s ² |
| Niepewność K=..... | 1,5 m/s ² |

OSTRZEŻENIE

Podany w niniejszych instrukcjach poziom drgań został zmierzony za pomocą metody pomiarowej zgodnej z normą EN 60745 i może być użyty do porównania ze sobą elektronarzędzi. Nadaje się on również do tymczasowej oceny obciążenia wibracyjnego.

Podany poziom drgań reprezentuje główne zastosowania elektronarzędzia. Jeśli jednakże elektronarzędzie użyte zostanie do innych celów z innymi narzędziami roboczymi lub nie jest dostatecznie konserwowane, wtedy poziom drgań może wykazywać odchylenia. Może to wyraźnie zwiększyć obciążenie wibracjami przez cały okres pracy.

Dla dokładnego określenia obciążenia wibracjami należy uwzględnić również czasy, w których urządzenie jest wyłączone względnie jest włączone, lecz w rzeczywistości nie pracuje. Może to spowodować wyraźną redukcję obciążenia wibracyjnego w całym okresie pracy.

Należy wprowadzić dodatkowe środki zapobiegawcze celem ochrony obsługującego przed oddziaływaniem drgań, jak na przykład: konserwacja narzędzi roboczych i elektronarzędzi, nagrzanie rąk, organizacja przebiegu pracy.

⚠ OSTRZEŻENIE! Należy przeczytać wszystkie wskazówki dotyczące bezpieczeństwa i instrukcje. Błędy w przestrzeganiu poniższych wskazówek mogą spowodować porażenie prądem, pożar i/lub ciężkie obrażenia ciała.
Należy starannie przechowywać wszystkie przepisy i wskazówki bezpieczeństwa dla dalszego zastosowania.

⚠ WSKAZÓWKI BEZPIECZEŃSTWA DLA KLUCZ UDAROWY

Trzymaj urządzenie za izolowane powierzchnie chwytowe, gdy wykonujesz roboty, w trakcie których śruba może natrafić na ukryte przewody prądowe. Kontakt śruby z przewodem pod napięciem może spowodować podłączenie części metalowych urządzenia do napięcia i prowadzić do porażenia prądem elektrycznym.

Stosować środki ochrony słuchu! Narażenie na hałas może spowodować utratę słuchu.

DODATKOWE WSKAZÓWKI BEZPIECZEŃSTWA I INSTRUKCJE ROBOCZE

Stosować wyposażenie ochronne. Przy pracy maszyną zawsze nosić okulary ochronne. Zalecana jest odzież ochronna, jak maska pyłochronna, rękawice ochronne, mocne i chroniące przed poślizgiem obuwie, kask i ochronniki słuchu.

Kurz powstający przy pracy z tym elektronarzędziem może być szkodliwy dla zdrowia, w związku z tym nie powinien dotrzeć do ciała. Nosić odpowiednią maskę przeciwpyłową.

Nie wolno obrabiać materiałów, które mogą być przyczyną zagrożenia zdrowia (na przykład azbestu).

W przypadku zablokowania narzędzia nasadzanego należy natychmiast wyłączyć urządzenie! Nie należy ponownie włączać urządzenia tak długo, jak długo narzędzie nasadzone jest zablokowane; przy tym mógłby powstać odrzut zwrotny o dużym momencie reakcyjnym. Należy wykryć i usunąć przyczynę

zablokowania narzędzia nasadzanego uwzględniając wskazówki dotyczące bezpieczeństwa.

Możliwymi przyczynami tego mogą być:

- Skośne ustawienie się w poddawany obróbce przedmiocie obrabianym
- Przerwanie materiału poddawanego obróbce
- Przeciążenie narzędzia elektrycznego

Nie należy sięgać do wnętrza maszyny będącej w ruchu.

Narzędzie nasadzone może w trakcie użytkowania stać się gorące.

OSTRZEŻENIE! Niebezpieczeństwo oparzenia się

- przy wymianie narzędzia
- przy odstawianiu urządzenia

Podczas pracy elektronarzędzia nie wolno usuwać trocin ani drzazg.

Podczas pracy przy ścianach, sufitach i podłodze należy uważać na kable elektryczne, przewody gazowe i wodociągowe.

Należy zabezpieczyć przedmiot poddawany obróbce za pomocą urządzenia mocującego. Niezabezpieczone przedmioty poddawane obróbce mogą spowodować ciężkie obrażenia ciała i uszkodzenia.

Przed przystąpieniem do jakichkolwiek prac na elektronarzędziu należy wyjąć wkładkę akumulatorową.

Zużytych akumulatorów nie wolno wrzucać do ognia ani traktować jako odpadów domowych. Milwaukee oferuje ekologiczną utylizację zużytych akumulatorów.

Nie przechowywać akumulatorów wraz z przedmiotami metalowymi (niebezpieczeństwo zwarcia).

Akumulatory Systemu V-Tec należy ładować wyłącznie przy pomocy ładowarek Systemu V-Tec. Nie ładować przy pomocy tych ładowarek akumulatorów innych systemów.

Nie otwierać wkładek akumulatorowych i ładowarek. Przechowywać w suchych pomieszczeniach. Chronić przed wilgocią.

W skrajnych warunkach temperaturowych lub przy bardzo dużym obciążeniu może dochodzić do wycieku kwasu akumulatorowego z uszkodzonych baterii akumulatorowych. W przypadku kontaktu z kwasem akumulatorowym należy natychmiast przemyć miejsce kontaktu wodą z mydłem. W przypadku kontaktu z oczami należy dokładnie przepłukiwać oczy przynajmniej przez 10 minut i zwrócić się natychmiast o pomoc medyczną.

WARUNKI UŻYTKOWANIA

Uniwersalna w użyciu akumulatorowa wkrętarka udarowa, do mocowania i odkręcania śrub i nakrętek, niezależna od przyłącza sieciowego.

Produkt można użytkować wyłącznie zgodnie z jego normalnym przeznaczeniem.

DEKLARACJA ZGODNOŚCI CE

Oświadczamy na naszą wyłączną odpowiedzialność, że produkt opisany w punkcie "Dane techniczne" jest zgodny ze wszystkimi istotnymi przepisami Dyrektywy 2011/65/EU (RoHS), 2004/108/WE, 2006/42/WE oraz z następującymi zharmonizowanymi dokumentami normatywnymi:

EN 60745-1:2009 + A11:2010
EN 60745-2-1:2010
EN 60745-2-2:2010
EN 55014-1:2006 + A1:2009 + A2:2011
EN 55014-2:1997 + A1:2001 + A2:2008
EN 50581:2012

Winnenden, 2014-09-03



Alexander Krug
Managing Director



Upelnomocniony do zestawienia danych technicznych

Techtronic Industries GmbH
Max-Eyth-Straße 10
71364 Winnenden
Germany

BATERIE AKUMULATOROWE

Akumulatory, które nie były przez dłuższy czas użytkowane, należy przed użyciem naładować.

W temperaturze powyżej 50°C następuje spadek osiągniętych wkładki akumulatorowej. Unikać długotrwałego wystawienia na oddziaływanie ciepła lub promieni słonecznych (niebezpieczeństwo przegrzania).

Styki ładowarek i wkładek akumulatorowych należy utrzymywać w czystości

W celu zagwarantowania optymalnej żywotności należy po zakończonej eksploatacji naładować akumulatory do pełna.

Dla zapewnienia możliwie długiej żywotności akumulatory należy wyjąć z ładowarki po ich naładowaniu.

W przypadku składowania akumulatorów dłużej aniżeli 30 dni: Przechowywać je w suchym miejscu w temperaturze ok. 27°C. Przechowywać je w stanie naładowanym do ok. 30% - 50%. Ładować je ponownie co 6 miesięcy.

AZ AKKUMULÁTOR TŰLTERHELÉS ELLENI VÉDELME

Przy przeciążeniu akumulatora bardzo dużym prądem na przykład wskutek ekstremalnie dużych momentów obrotowych, zakleszczenia wiertła, nagłego zatrzymania się lub zwarcia narzędzie elektryczne 'buczy' przez 2 sekundy i samoczynnie wyłącza się.

W celu ponownego włączenia należy zwolnić, a następnie ponownie włączyć przycisk wyłącznika. Pod ekstremalnymi obciążeniami może dojść do silnego nagrzania się akumulatora. W takim wypadku akumulator wyłącza się. Wówczas należy włączyć akumulator do ładowarki, aby go ponownie naładować i aktywować.

UTRZYMANIE I KONSERWACJA

Używać tylko i wyłącznie wyposażenia dodatkowego Milwaukee i części zamiennych Milwaukee. Gdyby trzeba było wymienić części, które nie zostały opisane, należy skontaktować się z przedstawicielem serwisu Milwaukee (patrz wykaz adresów punktów usługowych/gwarancyjnych).

W razie potrzeby można zamówić rysunek urządzenia w rozłożeniu na części podając typ maszyny oraz sześciorzeczony numer na tabliczce znamionowej w Punkcie Obsługi Klienta lub bezpośrednio w firmie Techtronic Industries GmbH, Max-Eyth-Straße 10, 71364 Winnenden, Germany.

TRANSPORT AKUMULATORÓW LITOWO-JONOWYCH

Akumulatory litowo-jonowe podlegają ustawowym przepisom dotyczącym transportu towarów niebezpiecznych.

Transport tych akumulatorów winien odbywać się przy przestrzeganiu lokalnych, krajowych i międzynarodowych rozporządzeń i przepisów.

- Odbiorcom nie wolno transportować tych akumulatorów po drogach od tak po prostu.
- Komercyjny transport akumulatorów litowo-jonowych przez przedsiębiorstwa spedycyjne podlega przepisom dotyczącym transportu towarów niebezpiecznych. Przygotowania do wysyłki oraz transport mogą być wykonywane wyłącznie przez odpowiednio przeszkolone osoby. Cały proces winien odbywać się pod fachowym nadzorem.

W czasie transportu akumulatorów należy przestrzegać następujących punktów:

- Celem uniknięcia zwarcia należy upewnić się, że zestyki są zabezpieczone i zaizolowane.
- Zwracać uwagę na to, aby zespół akumulatorów nie mógł się przemieszczać we wnętrzu opakowania.
- Nie wolno transportować akumulatorów uszkodzonych lub z wyciekającym z elektrolitem.

Odnośnie dalszych wskazań należy zwrócić się do swojego przedsiębiorstwa spedycyjnego.

SYMBOLE

UWAGA! OSTRZEŻENIE NIEBEZPIECZEŃSTWO!



Przed przystąpieniem do jakichkolwiek prac na elektronarzędziu należy wyjąć wkładkę akumulatorową.



Przed uruchomieniem elektronarzędzia zapoznać się uważnie z treścią instrukcji.



Urządzenia elektryczne nie mogą być usuwane razem z odpadami pochodzącymi z gospodarstw domowych.

Urządzenia elektryczne i elektroniczne należy gromadzić oddzielnie i w celu usuwania ich do odpadów zgodnie z wymaganiami środowiska naturalnego oddawać do przedsiębiorstwa utylizacyjnego. Proszę zasięgnąć informacji o centrach recyklingowych i punktach zbiorczych u władz lokalnych lub u wyspecjalizowanego dostawcy.



Znak CE

Znak zgodności EurAsian

| MŰSZAKI ADATOK | AKKUMULÁTOROS CSAVARBEHAJTÓ | HD 28 IW |
|--|-----------------------------------|----------|
| Gyártási szám..... | 4313 03 01... ...000001-999999 | |
| Bitbefogás..... | ■ 1/2" (13 mm) | |
| Üresjáratú fordulatszám..... | 0-1450 min ⁻¹ | |
| Ütésszám..... | 0-2450 min ⁻¹ | |
| Forgatónyomaték..... | 440 Nm | |
| Maximális csavarméret / anyaméret..... | 1" (M25) | |
| Akkumulátor feszültség..... | 28 V | |
| Súly a 01/2003 EPTA-eljárás szerint. (3,0 Ah)..... | 4,1 kg | |

Zajinformáció

A közölt értékek megfelelnek az EN 60 745 szabványnak.

A készülék munkahelyi zajszintje tipikusan:

Hangnyomás szint (K bizonytalanság=3dB(A))..... 101 dB (A)

Hangteljesítmény szint (K bizonytalanság=3dB(A))..... 112 dB (A)

Hallásvédő eszköz használata ajánlott!

Vibráció-információ

Összesített rezgésértékek (három irány vektorális összeg) az EN 60745-nek megfelelően meghatározva.

Maximális méretű csavarok és anyák meghúzása

a_{h,p} rezgésemisszió érték..... 10,1 m/s²

K bizonytalanság..... 1,5 m/s²

FIGYELMEZTETÉS

A jelen utasításokban megadott rezgésszint értéke az EN 60745-ben szabályozott mérési eljárásnak megfelelően került lemérésre, és használható elektromos szerszámokkal történő összehasonlításhoz. Az érték alkalmas a rezgésterhelés előzetes megbecslésére is.

A megadott rezgésszint-érték az elektromos szerszám legfőbb alkalmazásait reprezentálja. Ha az elektromos szerszámot azonban más alkalmazásokhoz, eltérő használt szerszámokkal vagy nem elegendő karbantartással használják, a rezgésszint értéke eltérő lehet. Ez jelentősen megnövelheti a rezgésterhelést a munkavégzés teljes időtartama alatt.

A rezgésterhelés pontos megbecsléséhez azokat az időket is figyelembe kell venni, melyekben a készülék lekapcsolódik, vagy ugyan működik, azonban ténylegesen nincs használatban. Ez jelentősen csökkentheti a munkavégzés teljes időtartama alatt.

Határozzon meg további biztonsági intézkedéseket a kezelő védelmére a rezgések hatása ellen, például: az elektromos és a használt szerszámok karbantartásával, a kezek melegen tartásával, a munkafolyamatok megszervezésével.

▲ FIGYELMEZTETÉS! Olvasson el minden biztonsági útmutatást és utasítást. A következőkben leírt előírások betartásának elmulasztása áramütésekhez, tűzhöz és/vagy súlyos testi sérülésekhez vezethet.

Kérjük a későbbi használatra gondosan őrizze meg ezeket az előírásokat.

▲ BIZTONSÁGI ÚTMUTATÁSOK CSAVAROZÓGÉPEKHEZ

Olyan munkák végzésekor, melyeknél a csavar rejtett áramvezetőket érhet, a szigetelt markolati felületeknél tartsa a készüléket. A csavar feszültségvezető vezetékkel érintkezve fém alkatrészeket helyezhet feszültség alá, és elektromos áramütést idézhet elő.

Viseljen hallásvédőt. A zajhatás a hallás elvesztését eredményezheti.

TOVÁBBI BIZTONSÁGI ÉS MUNKAVÉGZÉSI UTASÍTÁSOK

Használjon védőfelszerelést! Ha a gépen dolgozik, mindig hordjon védőszemüveget! Javasoljuk a védőruházat, úgymint porvédő maszk, védőcipő, erős és csúszásbiztos lábbeli, sisak és hallásvédő használatát.

A munka során keletkező por gyakran egészségre káros, ezért ne kerüljön a szervezetbe
Hordjon e célra alkalmas porvédőmaszkot.

Nem szabad olyan anyagokat megmunkálni, amelyek egészségre veszélyesek (pl. azbeszket).

A betétszerszám elakadásakor azonnal ki kell kapcsolni a készüléket! Addig ne kapcsolja vissza a készüléket, amíg a betétszerszám elakadása fennáll; ennek során nagy ellennyomatékú visszarúgás történhet. Határozza és szüntesse meg a betétszerszám elakadásának okát a biztonsági útmutatások betartása mellett.

Ennek következők lehetnek az okai:

- a szerszám elakad a megmunkándó munkadarabban
- a megmunkándó anyag átszakadt
- az elektromos szerszám túlterhelése

Ne nyúljon a járó géphez.

A betétszerszám az alkalmazás során felforrósodhat.

FIGYELMEZTETÉS! Égési sérülések veszélye

- szerszámcserekor
- a készülék lerakásakor

A munka közben keletkezett forgácsokat, szilánkokat, törmelékét, stb. csak a készülék teljes leállása után szabad a munkaterületről eltávolítani.

Falban, földben, aljzatban történő fúrásnál fokozottan ügyelni kell az elektromos-, víz- és gázvezetésekre.

Biztosítsa a munkadarabot befogó szerkezettel. A nem biztosított munkadarabok súlyos sérüléseket és károkat okozhatnak.

Karbantartás, javítás, tisztítás, stb. előtt az akkumulátort ki kell venni a készülékből.

A használt akkumulátort ne dobja tűzbe vagy a háztartási szemétkébe. Tájékozzódjon a szakszerű megsemmisítés helyi lehetőségeiről.

Az akkumulátort ne tárolja együtt fém tárgyakkal. (Rövidzárlat veszélye).

Az V-Tec elvezetési rendszerhez tartozó akkumulátorokat kizárólag a rendszerhez tartozó töltővel töltsse fel. Ne használjon más rendszerbe tartozó töltőt.

Az akkumulátort, töltőt nem szabad megbontani és kizárólag száraz helyen szabad tárolni. Nedvességtől óvni kell.

Akkumulátor sav folyhat a sérült akkumulátorból extrém terhelés alatt, vagy extrém hő miatt. Ha az akkumulátor sav a bőrére kerül azonnal mossa meg szappanos vízzel.

Szembe kerülés esetén folyóvíz alatt tartsa a szemét minimum 10 percig és azonnal forduljon orvoshoz.

RENDELTELTÉSSZERŰ HASZNÁLAT

Az akkumulátorral működő üteműves csavarbehajtó gép hálózati csatlakozás nélkül univerzálisan alkalmazható csavarok és csavaranyák meghúzásához és oldásához.

A készüléket kizárólag az alábbiakban leírtaknak megfelelően szabad használni.

CE-AZONOSSÁGI NYILATKOZAT

Egyedüli felelősséggel kijelentjük, hogy a "Műszaki Adatok" alatt leírt termék a 2011/65/EU (RoHS), 2004/108/EK, 2006/42/EC irányelvek minden releváns előírásának, ill. az alábbi harmonizált normatív dokumentumoknak megfelel:

EN 60745-1:2009 + A11:2010

EN 60745-2-1:2010

EN 60745-2-2:2010

EN 55014-1:2006 + A1:2009 + A2:2011

EN 55014-2:1997 + A1:2001 + A2:2008

EN 50581:2012

Winnenden, 2014-09-03

Alexander Krug

Alexander Krug
Managing Director



Műszaki dokumentáció összeállításra felhatalmazva

Techtronic Industries GmbH
Max-Eyth-Straße 10
71364 Winnenden
Germany

AKKUK

A hosszabb ideig üzemben kívül lévő akkumulátort használat előtt ismételtel fel kell tölteni.

50°C feletti hőmérsékletnél csökkenhet az akkumulátor teljesítménye. Kerülni kell a túlzottan meleg helyen vagy napon történő hosszabb idejű tárolást.

A töltő és az akkumulátor csatlakozóit mindig tisztán kell tartani.

Az optimális élettartam érdekében használat után az akkukat teljesen fel kell tölteni.

A lehetőleg hosszú élettartamhoz az akkukat feltöltés után ki kell venni a töltőkészülékből.

Az akku 30 napot meghaladó tárolása esetén:

Az akkut kb. 27 °C-on, száraz helyen kell tárolni.

Az akkut kb. 30-50%-os töltöttségi állapotban kell tárolni.

Az akkut 6 havonta újra fel kell tölteni.

AZ AKKUMULÁTOR TÚLTERHELÉS ELLENI VÉDELME

Az akku túl magas áramfogyasztás miatti, pl. túl nagy forgatónyomatékok, a fűró megszorulása, hirtelen leállás következtében fellépő túlterhelése esetén az elektromos szerszám 2 másodpercig zúg, és önműködően lekapcsol. Az újbóli bekapcsoláshoz el kell engedni a kapcsolóbillentyűt, majd ismét be kell kapcsolni. Extrém mértékű terhelés esetén az akku erősen felforrósodhat. Ebben az esetben az akku lekapcsol. Az ismételt feltöltéshez és aktiváláshoz ekkor dugja az akkut a töltőkészülékbe.

KARBANTARTÁS

Csak Milwaukee tartozékokat és Milwaukee pótalkatrészeket szabad használni. Az olyan elemeket, melyek cseréje nincs ismertve, cseréltesse ki Milwaukee szervizzel (lásd Garancia/Ügyfélszolgálat címe kiadványt).

Igény esetén a készülékről robbantott rajz kérhető a géptípus és a teljesítménycímként található hatjegyű szám

megadásával az Ön bevásárlólistájánál, vagy közvetlenül a Techtronic Industries GmbH-től a Max-Eyth-Straße 10, 71364 Winnenden, Németország címen.

LÍTIUM-ION AKKUK SZÁLLÍTÁSA

A lítium-ion akkuk a veszélyes áruk szállítására vonatkozó törvényi rendelkezések hatálya alá tartoznak.

Az ilyen akkuk szállításának a helyi, országos és nemzetközi előírások és rendelkezések betartása mellett kell történnie.

- A fogyasztók minden további nélkül szállíthatják az ilyen akkukat közúton.
- A lítium-ion akkuk szállítmányozási vállalatok általi kereskedelmi célú szállítására a veszélyes áruk szállítására vonatkozó rendelkezések érvényesek. A kiszállítás előkészítését és a szállítást kizárólag megfelelő képzettségű személyek végeztetik. A teljes folyamatnak szakmai felügyelet alatt kell történnie.

A következő pontokat kell figyelembe venni akkuk szállításakor:

- Biztosítsa, hogy a rövidzárlatok elkerülése érdekében az érintkezők védve és szigetelve legyenek.
- Ügyeljen arra, hogy az akkucsomag ne tudjon elcsúszni a csomagoláson belül.
- Tilos sérült vagy kifolyt akkukat szállítani.

További útmutatásokért forduljon szállítmányozási vállalatához.

SZIMBÓLUMOK



FIGYELEM! FIGYELMEZTETÉS! VESZÉLY!



Karbantartás, javítás, tisztítás, stb. előtt az akkumulátort ki kell venni a készülékből.



Kérjük alaposan olvassa el a tájékoztatót mielőtt a gépet használja.



Az elektromos eszközöket nem szabad a háztartási hulladékkal együtt ártalmatlanítani. Az elektromos és elektronikus eszközöket szelektíven kell gyűjteni, és azokat környezetbarát ártalmatlanítás céljából hulladékhasznosító üzemben kell leadni. A helyi hatóságoknál vagy szakkereskedőjénél tájékozzódjon a hulladékuvadokról és gyűjtőhelyekről.



CE-jelölés



Eurázsiai megfeleléségi jelzés.

| TEHNIČNI PODATKI | BATERIJSKI UDARNI VIJAČNIKI | HD 28 IW |
|--|-----------------------------------|----------|
| Proizvodna številka..... | 4313 03 01... ...000001-999999 | |
| Sprejem orodja | ■ 1/2" (13 mm) | |
| Število vrtljajev v prostem teku | 0-1450 min ⁻¹ | |
| Število udarcev | 0-2450 min ⁻¹ | |
| Vrtljni moment | 440 Nm | |
| Maksimalna velikost vijaka / matice..... | 1" (M25) | |
| Napetost izmenljivega akumulatorja..... | 28 V | |
| Teža po EPTA-proceduri 01/2003 (3,0 Ah)..... | 4,1 kg | |

Informacije o hrupnosti

Vrednosti merjenja ugotovljene ustrezno z EN 60 745.
Raven hrupnosti naprave ovrednotena z A, znaša tipično:

| | |
|--|------------|
| Nivo zvočnega tlaka (Nevarnost K=3dB(A))..... | 101 dB (A) |
| Višina zvočnega tlaka (Nevarnost K=3dB(A)) | 112 dB (A) |

Nosite zaščito za sluh!

Informacije o vibracijah

Skupna vibracijska vrednost (Vektorska vsota treh smerdoločena ustrezno EN 60745.

Privijanje vijakov in matic maksimalne velikosti

| | |
|---|-----------------------|
| Vibracijska vrednost emisij a _{h,10} | 10,1 m/s ² |
| Nevarnost K=..... | 1,5 m/s ² |

OPOZORILO

V teh navodilih navedena raven tresljev je bila izmerjena po EN60745 normiranem merilnem postopku in lahko služi medsebojni primerjavi električnih orodij. Prav tako je primeren za predhodno oceno obremenitve s treslji.

Navedena raven tresljev navaja najpomembnejše vrste rabe električnega orodja. Kadar se električno orodje uporablja za drugačne namene, z odstopajočimi orodji ali pa z nezadostnim vzdrževanjem, lahko raven tresljev tudi odstopa. Le to lahko čez celoten delovni čas znatno zviša obremenitev s tresenjem.

Za natančno oceno obremenitve s treslji naj bi se upošteval tudi čas v katerem je naprava izklopljena ali sicer teče, vendar dejansko ni v rabi. Le to lahko obremenitev s treslji čez celoten delovni čas znatno zmanjša.

Za zaščito upravljalca pred učinkom tresljev uvedite dodatne zaščitne ukrepe npr.: Vzdrževanje električnega orodja in orodja, delo s toplimi rokami, organizacija delovnih potekov.

⚠ OPOZORILO! Preberite vsa varnostna opozorila in navodila. Napake zaradi neupoštevanja spodaj navedenih opozoril in napotil lahko povzročijo električni udar, požar in/ali težke telesne poškodbe.
Vsa opozorila in napotila shranite, ker jih boste v prihodnje še potrebovali.

⚠ VARNOSTNI NAPOTKI ZA UDARNI VIJAČNIKI

Kadar izvajate dela pri katerih lahko sveder zadane v prikriti električne vode, držite napravo za izolirane prijemalne površine. Stik svedra z električnim vodnikom lahko kovinske deli naprave spravi pod napetost in vodi do električnega udara.

Nosite zaščito za sluh. Razvijanje hrupa lahko povzroči izgubo sluha.

NADALJNA VARNOSTNA IN DELOVNA OPOZORILA

Uporabite zaščitno opremo. Pri delu s strojem vedno nosite zaščitna očala. Priporočajo se zaščitna oblačila, kot npr. maska za zaščito proti prahu, zaščitne rokavice, trdno in nedrešeče obuvanje, čelada in zaščita za sluh.

Prah, ki nastaja pri delu, je pogosto zdravju škodljiv in naj ne zaide v telo. Nosite ustrezno masko proti prahu.

Obdelava materialov, iz katerih izhaja ogroženost zdravja (npr. azbest), ni dovoljena.

V primeru blokade orodja napravo takoj izklopite! Naprave ponovno ne vklopljate dokler je orodje blokirano; pri tem bi lahko prišlo do povratnega udara z velikim reakcijskim momentom. Ugotovite in odpravite vzroke blokade orodja ob upoštevanju varnostnih navodil.

Možni razlogi so lahko:

- Zagozditve v obdelovancu
- prežganje obdelovanega materiala
- Preobremenitev električnega orodja

Ne segajte v stroj v teku.

Orodje lahko med uporabo postane vroče.

OPOZORILO! Nevarnost opeklin

- pri menjavi orodja
- pri odlaganju naprave

Trske ali iveri se pri tekočem stroju ne smejo odstranjevati.

Pri delih na steni, stropu ali v tleh pazite na električne kable, plinske in vodne napeljave.

Obdelovanec zavarujte z vpenjalno pripravo. Nezavarovani obdelovanci lahko povzročijo težke poškodbe in okvare.

Pred vsemi deli na stroji odstranite izmenljivi akumulator.

Izrabljenih izmenljivih akumulatorjev ne mečite v ogenj ali v gospodinjinske odpadke. Milwaukee nudi okolju prijazno odlaganje starih izmenljivih akumulatorjev; prosimo povprašajte vašega strokovnega trgovca.

Izmenljivih akumulatorjev ne hranite skupaj s kovinskimi predmeti (nevarnost kratkega stika).

Izmenljive akumulatorje sistema v polnite samo s polnilnimi aparati sistema V-Tec. Ne polnite nobenih akumulatorjev iz drugih sistemov.

Izmenljivih akumulatorjev in polnilnih aparatov ne odpirajte in jih hranite samo v suhih prostorih. Zaščitite jih pred mokroto.

Pod ekstremno obremenitvijo ali ob ekstremni temperaturi iz poškodovanega izmenljivega akumulatorja lahko izteka akumulatorska tekočina. Po stiku z akumulatorsko tekočino prizadeto mesto takoj izperite z vodo in milom. Po stiku z očmi takoj najmanj 10 minut dolgo temeljito izpirajte in nemudoma obiščite zdravnika.

UPORABA V SKLADU Z NAMEMBNOSTJO

Univerzalen namen uporabe akumulatorskega udarnega vijaka služi privitju in odvrtju vijakov in matic, neodvisno od omrežnega priklopa.

Ta naprava se sme uporabiti samo v skladu z namembnostjo uporabiti samo za navede namene.

CE-IZJAVA O KONFORMNOSTI

V lastni odgovornosti izjavljamo, da se pod "Tehnični podatki" opisan proizvod ujema z vsemi relevantnimi predpisi smernice 2011/65/EU (RoHS), 2004/108/ES, 2006/42/ES in s sledečimi harmoniziranimi normativnimi dokumenti:

EN 60745-1:2009 + A1:2010
EN 60745-2-1:2010
EN 60745-2-2:2010
EN 55014-1:2006 + A1:2009 + A2:2011
EN 55014-2:1997 + A1:2001 + A2:2008
EN 50581:2012

Winnenden, 2014-09-03

Alexander Krug

Alexander Krug
Managing Director



Pooblaščen za izdelavo spisov tehnične dokumentacije.

Techtronic Industries GmbH
Max-Eyth-Straße 10
71364 Winnenden
Germany

AKUMULATORJI

Izmenljive akumulatorje, ki jih daljši čas niste uporabljali, pred uporabo naknadno napolnite.

Temperatura nad 50°C zmanjšuje zmogljivost izmenljivega akumulatorja. Izogibajte se daljšemu segrevanju zaradi sončnih žarkov ali gretja.

Pazite, da ostanejo priključni kontakti na polnilnem aparatu in izmenljivem akumulatorju čisti.

Za optimalno življenjsko dobo je akumulatorje potrebno po uporabi napolniti do konca.

Za čim daljšo življenjsko dobo naj se akumulatorji po napolnitvi vzamejo ven iz naprave za polnjenje.

Pri skladiščenju akumulatorjev dalj kot 30 dni: Akumulator skladiščiti pri 27°C in na suhem. Akumulator skladiščiti pri 30%-50% stanja polnjenja. Akumulator spet napolniti vsakih 6 mesecev.

ZAŠČITA PREOBREMENITVE AKUMULATORJA

V primeru preobremenitve akumulatorjev zaradi zelo visoke porabe toka, npr. ekstremno visokih vrtilnih momentov, zatika svedra, nenadne zaustavitve ali kratkega stika, električno orodje 2 sekundi brni in se samodejno izklopi. Za ponoven vklop izpustite tipko stikala in nato znova vklopite.

Pod ekstremnimi obremenitvami se lahko akumulator močno segreje. V tem primeru se akumulator izklopi. Za ponovno polnitev in aktiviranje akumulatorja ga je potrebno vstaviti v polnilec.

VZDRŽEVANJE

Uporabljajte samo Milwaukee pribor in Milwaukee nadomestne dele. Poskrbite, da sestavne dele, katerih zamenjava ni opisana, zamenjajo v Milwaukee servisni službi (upoštevajte brošuro Garancija/Naslovi servisnih služb).

Po potrebi je mogoče pri vašem servisnem mestu ali neposredno pri Techtronic Industries GmbH, Max-Eyth-Straße 10, 71364 Winnenden, Germany, naročiti eksplozijsko risbo naprave ob navedbi tipa stroja in na tablici navedene šestmestne številke.

TRANSPORT LITIJ-IONSКИH AKUMULATORJEV

Litij-ionski akumulatorji so podvrženi zakonskim določbam transporta nevarnih snovi.

Transport teh akumulatorjev se mora izvajati upoštevajoč lokalne, nacionalne in mednarodne predpise in določbe.

- Potrošniki lahko te akumulatorje še nadalje transportirajo po cesti.
- Komercialni transport litij-ionskih akumulatorjev s strani špediterskih podjetij je podvržen določbam transporta nevarnih snovi. Priprava odpreme in transporta se lahko vrši izključno s strani ustrezno izšolanih oseb. Celoten proces je potrebno strokovno spremljati.

Pri transportu akumulatorjev je potrebno upoštevati sledeče točke:

- V izogib kratkim stikom zagotovite, da bodo kontakti zaščiteni in izolirani.
- Bodite pozorni na to, da paket akumulatorja v notranjosti embalaže ne bo mogel zdrsniti.
- Poškodovanih ali iztekajočih akumulatorjev ni dovoljeno transportirati.

Za nadaljnja navodila se obrnite na vaše špeditersko podjetje.

SIMBOLI



POZOR! OPOZORILO! NEVARNO!



Pred vsemi deli na stroji odstranite izmenljivi akumulator.



Prosimo, da pred uporabo pozorno preberete to navodilo za uporabo.



Električnih naprav ni dovoljeno odstranjevati skupaj z gospodinjinskimi odpadki. Električne in elektronske naprave je potrebno zbirati ločeno in za okolju prijazno odstranitev, oddati podjetju za reciklažo. Pri krajevnem uradu ali vašem strokovnem prodajalcu se pozanimajte glede reciklažnih dvorišč in zbirnih mest.



CE-znak

EurAsian oznaka o skladnosti.

| | |
|--|-----------------------------------|
| Broj proizvodnje..... | 4313 03 01... ...000001-999999 |
| Priključivanje alata..... | ■ 1/2" (13 mm) |
| Broj okretaja praznog hoda..... | 0-1450 min ⁻¹ |
| Broj udara..... | 0-2450 min ⁻¹ |
| Okretni moment..... | 440 Nm |
| Maksimalna veličina vijka / veličina matice..... | 1" (M25) |
| Napon baterije za zamjenu..... | 28 V |
| Težina po EPTA-proceduri 01/2003 (3,0 Ah)..... | 4,1 kg |

Informacije o buci

Mjerne vrijednosti utvrđene odgovarajuće EN 60 745.

A-ocijenjeni nivo buke aparata iznosi tipično:

| | |
|---|------------|
| Nivo pritiska zvuka (Nesigurnost K=3dB(A))..... | 101 dB (A) |
| Nivo učinka zvuka (Nesigurnost K=3dB(A))..... | 112 dB (A) |

Nositi zaštitu sluha!**Informacije o vibracijama**

Ukupne vrijednosti vibracije (Vektor suma tri smjerna) odmjerene odgovarajuće EN 60745

Stezanje vijaka i matica maksimalne veličine

| | |
|--|-----------------------|
| Vrijednost emisije vibracije a _{h,10} | 10,1 m/s ² |
| Nesigurnost K=..... | 1,5 m/s ² |

UPOZORENIE

Ova u ovim uputama navedena razina titranja je bila izmjerena odgovarajuće jednom u EN 60745 normiranom mjernom postupku i može se upotrijebiti za usporedbu električnog alata međusobno. Ona je prikladna i za privremenu procjenu titrajnog opterećenja.

Navedena razina titranja reprezentira glavne primjene električnog alata. Ukoliko se električni alat upotrebljava u druge svrhe sa odstupajućim primijenjenim alatima ili nedovoljnim održavanjem, onda razina titranja može odstupati. To može titrajno opterećenje kroz cijeli period rada bitno povisiti.

Za točnu procjenu titrajnog opterećenja se moraju uzeti u obzir i vremena u kojima je uređaj isključen ili u kojima doduše radi, ali nije i stvarno u upotrebi. To može titrajno opterećenje bitno smanjiti za vrijeme cijelog radnog perioda.

Utvrđite dodatne sigurnosne mjere za zaštitu poslužioaca protiv djelovanja titranja kao npr.: Održavanje električnih alata i upotrebljenih alata, održavanje topline ruku, organizacija i radne postupke.

UPOZORENJE! Pročitajte molimo sve sigurnosna upozorenja i upute. Ako se ne bi poštivala napomene o sigurnosti i upute to bi moglo uzrokovati strujni udar, požar i/ili teške ozljede.

Sačuvajte sve napomene o sigurnosti i upute za buduću primjenu.

UPOZORENJE! SIGURNOSNE UPUTE ZA UDARNI IZVIJAČ

Držite spravu na izoliranim držačkim površinama kada izvodite radove kod kojih rezački alat može pogoditi skrivene vodove struje. Kontakt rezačkog alata sa vodovima koji sprovode naponom može metalne dijelove sprave dovesti pod napon i tako dovesti do električnog udara.

Nosite zaštitu za sluh. Djelovanje buke može dovesti do gubitka sluha.

OSTALE SIGURNOSNE I RADNE UPUTE

Upotrebljavati zaštitnu opremu. Kod radova sa strojem uvijek nositi zaštitne naočale. Preporučuje se zaštitna odjeća, kao zaštitna maska protiv prašine, zaštitne rukavice, čvrste i protiv klizanja sigurne cipele, šljem i zaštitu sluha.

Prašina koja nastaje prilikom rada je često nezdrava i ne bi smijela dospjeti u tijelo. Nositi prikladnu zaštitnu masku protiv prašine.

Ne smiju se obrađivati nikakvi materijali, od kojih prijete opasnost po zdravlje (npr. azbest).

Kod blokiranja alata koji se upotrebljava uređaj molimo odmah isključiti! Uređaj nemojte ponovno uključiti za vrijeme dok je alat koji se upotrebljava blokiran; time može doći do povratnog udara sa visokim reakcijskim momentom.

Pronađite i otklonite uzrok blokiranja alata koji se upotrebljava uz poštivanje sigurnosnih uputa.

Mogući uzroci tome mogu biti:

- Izobličavanje u izratku koji se obrađuje
- Probijanje materijala koji se obrađuje
- Preopterećenje električnog alata

Nemojte sezati u stroj koji radi.

Upotrebljeni alat se može za vrijeme korištenja zagrijati. **UPOZORENIE!** Opasnost od opekotina

- kod promjene alata
- kod odlaganja uređaja

Piljevina ili iverje se za vrijeme rada stroja ne smiju odstranjivati.

Kod radova na zidu, stropu ili podu paziti na električne kablove kao i vodove plina i vode.

Osigurajte vaš izradak jednim steznim uređenjem. Neosigurani izradci mogu prouzročiti teške povrede i oštećenja.

Prije svih radova na stroju izvaditi bateriju za zamjenu.

Istrošene baterije za zamjenu ne bacati u vatra ili u kućno smeće. Milwaukee nudi mogućnost uklanjanja starih baterija odgovarajuće okolini. Milwaukee nudi mogućnost uklanjanja starih baterija odgovarajuće okolini; upitajte molimo Vašeg stručnog trgovca.

Baterije za zamjenu ne čuvati skupa sa metalnim predmetima (opasnost od kratkog spoja).

Baterije sistema V-Tec puniti samo sa uređajem za punjenje sistema V-Tec. Ne puniti baterije iz drugih sistema.

Baterije za zamjenu i uređaje za punjenje ne otvarati i čuvati ih samo u suhim prostorijama. Čuvati protiv vlage.

Pod ekstremnim opterećenjem ili ekstremne temperature može iz oštećenih baterija iscuriti baterijska tekućina. Kod dodira sa baterijskom tekućinom odmah isprati sa vodom i sapunom. Kod kontakta sa očima odmah najmanje 10 minuta temeljno ispirati i odmah potražiti liječnika.

PROPISNIA UPOTREBA

Udarni zavrtač sa akumulatorom je univerzalno upotrebljiv za pričvršćivanje i odvrtanje vijaka i matica, nezavisno od priključka struje.

Ovaj aparat se smije upotrijebiti samo u određene svrhe kao što je navedeno.

CE-IZJAVA KONFORMNOSTI

Izjavljujemo na osobnu odgovornost, da je proizvod opisan pod "Tehnički podaci", sukladan sa svim relevantnim propisima smjernice 2011/65/EU (RoHS), 2004/108/EC, 2006/42/EC i sa slijedećim harmoniziranim normativnim dokumentima:

EN 60745-1:2009 + A11:2010
EN 60745-2-1:2010
EN 60745-2-2:2010
EN 55014-1:2006 + A1:2009 + A2:2011
EN 55014-2:1997 + A1:2001 + A2:2008
EN 50581:2012

Winnenden, 2014-09-03

Alexander Krug

Alexander Krug
Managing Director



Ovlašten za formiranje tehničke dokumentacije.

Techtronic Industries GmbH
Max-Eyth-Straße 10
71364 Winnenden
Germany

BATERIJE

Baterije koje duže vremena nisu korištene, prije upotrebe napuniti.

Temperatura od preko 50°C smanjuje učinak baterija. Duže zagrijavanje od strane sunca ili grijanja izbjeći.

Priključne kontakte na uređaju za punjenje i baterijama držati čistima.

Za optimalni vijek trajanja se akumulatori poslije upotrebe moraju sasvim napuniti.

Za što moguće duži vijek trajanja, akumulatori se nakon punjenja moraju odstraniti iz punjača.

Kod skladištenja akumulatora duže od 30 dana: Akumulator skladištiti na suhom kod ca. 27°C. Akumulator skladištiti kod ca. 30%-50% stanja punjenja. Akumulator ponovno napuniti svakih 6 mjeseci.

ZAŠTITA OD PREOPTEREĆENJA AKUMULATORA

Kod preopterećenja akumulatora kroz visoku potrošnju struje, npr. ekstremno visoki okretni momenti, zaglavljenje svrdla, naglo zaustavljanje ili kratki spoj, elektroalat bruji 2 sekunde dugo i isključuje se samostalno.

Za ponovno uključivanje ispuštiti oponac prekidača i zatim ponovno uključiti.

Pod ekstremnim opterećenjima se akumulator može jako zagrijati. U ovom slučaju se akumulator isključuje. Akumulator zatim utaknuti u punjač kako bi se ovaj ponovno napunio i zatim aktivirao.

ODRŽAVANJE

Primijeniti samo Milwaukee opremu i Milwaukee rezervne dijelove. Sastavne dijelove, čija zamjena nije opisana, dati zamijeniti kod jedne od Milwaukee servisnih službi (poštivati brošuru Garancija/Adrese servisa).

Po potrebi se crtež pojedinih dijelova aparata uz navođenje podatka o tipu stroja i šestznamenastog broja na pločici snage može zatražiti kod vašeg servisa ili direktno kod Techtronic Industries GmbH, Max-Eyth-Straße 10, 71364 Winnenden, Njemačka.

TRANSPORT LITIJSKIH IONSKIH BATERIJA

Litijske-ionske baterije spadaju pod zakonske odredbe u svezi transporta opasne robe.

Prijevoz ovih baterija mora uslijediti uz poštivanje lokalnih, nacionalnih i internacionalnih propisa i odredaba.

- Korisnici mogu bez ustručavanja ove baterije transportirati po cestama.
- Komercijalni transport litijsko-ionskih baterija od strane transportnih poduzeća spada pod odredbe o transportu opasne robe. Otpremničke pripreme i transport smiju izvoditi isključivo odgovarajuće školovane osobe. Kompletni proces se mora pratiti na stručan način.

Kod transporta baterija se moraju poštivati slijedeće točke:

- Uvjerite se da su kontakti zaštićeni i izolirani kako bi se izbjegli kratki spojevi.
- Pazite na to, da blok baterija unutar pakiranja ne može proklizavati.
- Oštećene ili iscrpne baterije se ne smiju transportirati.

U svezi ostalih uputa obratite se vašem prijevoznom poduzeću.

SIMBOLI

PAŽNJA! UPOZORENIE! OPASNOST!



Prije svih radova na stroju izvaditi bateriju za zamjenu.



Molimo da pažljivo pročitate uputu o upotrebi prije puštanja u rad.



Električni uređaji se ne smiju zbrinjavati skupa sa kućnim smećem. Električni uređaji se moraju skupljati odvojeno i predati na zbrinjavanje primjereno okolišu jednom od pogona za iskorišćavanje. Raspitajte se kod mjesnih vlasti ili kod stručnog trgovca u svezi gospodarstva za recikliranje i mjesta skupljanja.



Oznaka-CE

EurAsian znak konformnosti.

| TEHNISKIE DATI | AKUMULATORA TRIECIENA SKRŪVGRIEZIS | HD 28 IW |
|---|------------------------------------|------------------|
| Izlaides numurs | 4313 03 01... | ...000001-999999 |
| Instrumentu stiprinājums | ■ 1/2" (13 mm) | |
| Apgriezieni tukšgaitā | 0-1450 min ⁻¹ | |
| sitienu biežums | 0-2450 min ⁻¹ | |
| Griezes moments | 440 Nm | |
| Maksimālais skrūves lielums/uzgriežņa lielums | 1" (M25) | |
| Akumulātorā spriegums | 28 V | |
| Svars atbilstoši EPTA -Procedure 01/2003 (3,0 Ah) | 4,1 kg | |

Trokšņu informācija

Vērtības, kas noteiktas saskaņā ar EN 60 745.

A novērtētās aparatūras skaņas līmenis ir:

Trokšņa spiediena līmenis (Nedrošība K=3dB(A)) 101 dB (A)

Trokšņa jaudas līmenis (Nedrošība K=3dB(A)) 112 dB (A)

Nēsāt trokšņa slāpētāju!

Vibrāciju informācija

Svārstību kopējā vērtība (Trīs virzienu vektoru summtiek

noteikta atbilstoši EN 60745.

Maksimāla lieluma skrūvju un uzgriežņu piegriešana

svārstību emisijas vērtība a_{h, ID} 10,1 m/s²

Nedrošība K= 1,5 m/s²

UZMANĪBU

Instrukcijā norādītā svārstību robežvērtība ir izmērīta mērījumu procesā, kas veikts atbilstoši standartam EN 60745, un to var izmantot elektroinstrumentu savstarpējai salīdzināšanai. Tā ir piemērota arī svārstību noslogojuma pagaidu izvērtēšanai.

Norādītā svārstību robežvērtība ir reprezentatīva elektroinstrumenta pamata pielietojuma jomām. Tomēr, ja elektroinstrumentus tiek pielietots citās jomās, papildus izmantojot neatbilstošus elektroinstrumentus vai pēc nepietiekamas tehniskās apkopes, tad svārstību robežvērtība var atšķirties. Tas var ievērojami palielināt svārstību noslogojumu visa darba laikā.

Precīzai svārstību noslogojuma noteikšanai, ir jāņem vērā arī laiks, kad ierīces ir izslēgta vai arī ir ieslēgta, tomēr faktiski netiek lietota. Tas var ievērojami samazināt svārstību noslogojumu visa darba laikā.

Integrējiet papildus drošības pasākumus pret svārstību ietekmi lietotājam, piemēram: elektroinstrumentu un darba instrumentu tehniskā apkope, roku siltuma uzturēšana, darba procesu organizācija.

▲ BRĪDINĀJUMS! Izlasiet visus drošības brīdinājumus un instrukcijas. Šeit sniegto drošības noteikumu un norādījumu neievērošana var izraisīt aizdegšanos un būt par cēloni elektriskajam triecienam vai nopietnam savainojumam. **Pēc izlasīšanas uzglabājiet šos noteikumus turpmākai izmantošanai.**

▲ DROŠĪBAS NOSACĪJUMI LIETOJOT TRIECIENA SKRŪVGRIEZIS

Turiet ierīci aiz izolētajām turēšanas virsmām, veicot darbus, kur skrūve var skart aplsēptus elektrības vadus. Skrūves kontakts ar spriegumu vadošu vadu var ierīces metāla daļas uzlādēt un novest pie elektriskās strāvas trieciena.

Nēsājiet ausu aizsargus. Trokšņa iedarbības rezultātā var rasties dzirdes traucējumi.

CITAS DROŠĪBAS UN DARBA INSTRUKCIJAS

Jāizmanto aizsargaprīkojums. Strādājot ar mašīnu, vienmēr jānēsā aizsargbrilles, lēteicams nēsāt aizsargapgērbus, kā piemēram, aizsargmasku, aizsargcimdus, kurpes no stingra un neslīdīga materiāla, ķiveri un ausu aizsargus.

Puteklji, kas rodas darba gaitā, bieži ir kaitīgi veselībai un tiem nevajadzētu nokļūt organismā. Jānēsā piemērota maska, kas pasargā no putekļiem.

Nedrīkst apstrādāt materiālus, kas rada draudus veselībai (piemēram, azbestu).

Ja izmantojamais darba rīks tiek bloķēts, nekavējoties izslēgt ierīci! Neieslēdziet ierīci, kamēr izmantojamais darba rīks ir bloķēts; var rasties atsitiens ar augstu griezes momentu! Noskaidrojiet un novērsiet izmantojamā darba rīka bloķēšanas iemeslu, ievērojot visas drošības norādes.

Iespējamie iemesli:

- iesprūdis apstrādājamajam materiālā
- apstrādājams materiāls ir caursists
- elektroinstruments ir pārslogots

Leslēgtai ierīcei nepieskarieties.

Izmantojamais darba rīks darba gaitā var stipri sakarst. **UZMANĪBU!** Bīstamība apdedzināties

- veicot darba rīka nomaiņu
- noliekot iekārtu

Skaidas un atlūzas nedrīkst ņemt ārā, kamēr mašīna darbojas.

Veicot darbus sienu, griestu un grīdas apvidū, vajag uzmanīties, lai nesabojātu elektriskos, gāzes un ūdens vadus.

Fiksējiet apstrādājamo materiālu ar fiksācijas aprīkojumu. Nenostiprināti materiāli var izraisīt smagus savainojumus un bojājumus.

Pirms mašīnai veikt jebkāda veida apkopes darbus, ir jāizņem arī akumulātors.

Izmantotos akumulārus nedrīkst mest ugunī vai parastajos atkritumos. Firma Milwaukee piedāvā iespēju vecos akumulātorus savākt apkārtējo vidi saudzējošā veidā; jautājiet specializētā veikalā.

Akumulātorus nav ieteicams glabāt kopā ar metāla priekšmetiem (iespējams īsslēgums).

V-Tec sistēmas akumulātorus lādēt tikai ar V-Tec sistēmas lādētājiem. Nedrīkst lādēt citus akumulātorus no citām sistēmām.

Akumulātorus un lādētājus nedrīkst taisīt vaļā un tie jāuzglabā sausās telpās.

Pie ārkārtas slodzes un ārkārtas temperatūrām no bojātā akumulātorā var iztect akumulātorā šķidrums. Ja nonākt saskarsmē ar akumulātorā šķidrumu, saskarsmes vieta

nekavējoties jānomazgā ar ūdeni un ziepēm. Ja šķidrums nonācis acīs, acis vismaz 10 min. skalot un nekavējoties konsultēties ar ārstu.

NOTEIKUMIEM ATBILSTOŠS IZMANTOJUMS

Uzgriežņu atslēga ar akumulātoru ir universāli izmantojama skrūvju un uzgriežņu skrūvēšanai un atskrūvēšanai bez tīkla pieslēguma.

Šo instrumentu drīkst izmantot tikai saskaņā ar minētajiem lietošanas noteikumiem.

ATBILSTĪBA CE NORMĀM

Mēs apliecinām, ka produkts, kura tehniskie parametri aprakstīti "tehnisko datu lapā", pilnībā atbilst prasībām saskaņā ar direktīvām 2011/65/EU (RoHS), 2004/108/EK, 2006/42/EK un attiecīgajiem harmonizētajiem normatīvajiem dokumentiem:

EN 60745-1:2009 + A11:2010

EN 60745-2-1:2010

EN 60745-2-2:2010

EN 55014-1:2006 + A1:2009 + A2:2011

EN 55014-2:1997 + A1:2001 + A2:2008

EN 50581:2012

Winnenden, 2014-09-03

Alexander Krug

Alexander Krug
Managing Director



Pilnvarotais tehniskās dokumentācijas sastādītājs.

Techtronic Industries GmbH

Max-Eyth-Straße 10

71364 Winnenden

Germany

AKUMULĀTORI

Akumulātori, kas ilgāku laiku nav izmantoti, pirms lietošanas jāuzlādē.

Pie temperatūras, kas pārsniedz 50°C, akumulātoru darbība jāpārtrauc, ja tiek negatīvi ietekmēta. Vajag izvairīties no ilgākas saules un karstuma iedarbības.

Lādētāja un akumulātoru pievienojuma kontakti jāuztur tīri.

Lai baterijām būtu optimāls mūžs, pēc lietošanas bateriju bloks pilnībā jāuzlādē.

Lai akumulātoru kalpotu pēc iespējas ilgāku laiku, tos pēc uzlādes ieteicams atvienot no lādētāj ierīces.

Akumulātoru uzglabāšana ilgāk kā 30 dienas: uzglabāt akumulātoru pie aptuveni 27° C un sausā vietā. Uzglabāt akumulātoru uzlādes stāvoklī aptuveni pie 30%-50%. Uzlādēt akumulātoru visus 6 mēnešus no jauna.

AKUMULATORA AIZSARDZĪBA PRET PĀRSLOGOJUMU

Akumulātoru pārslogojuma gadījumos, esot ļoti lielam elektroenerģijas patēriņam, piem., ārkārtīgi augsts griezes moments, urbja iekēršanās, pēkšņa apstāšanās vai īssavienojums, elektriskais darbarīks 2 sekundes ruc, un pats izslēdzas.

Lai to atkal ieslēgtu, atlaidiet ieslēgšanas pogu un tad to ieslēdziet no jauna.

Esot ārkārtīgi augstam noslogojumam, akumulātorus var spēcīgi sakarst. Šādā gadījumā akumulātorus atslēdzas. Akumulātoru var ievietot lādētāja, lai to atkal uzlādētu un aktivizētu.

APKOPE

Izmantojiet tikai firmu Milwaukee piederumus un firmas Milwaukee rezerves daļas. Lieciet nomainīt detaļas, kuru nomaīņa nav aprakstīta, kādā no firmu Milwaukee klientu

apkalpošanas servisiem. (Skat. brošūru "Garantija/klientu apkalpošanas serviss".)

Pēc pieprasījuma, Jūsu Klientu apkalpošanas centrā vai pie Techtronic Industries GmbH, Max-Eyth-Straße 10, 71364 Winnenden, Vācijā, ir iespējams saņemt iekārtas montāžas rasējumu, iepriekš norādot iekārtas modeli un sērijas numuru, kas atrodas uz datu plāksnītes un sastāv no sešiem simboliem.

LITIJA JONU AKUMULATORU TRANSPORTĒŠANA

Uz litija jonu akumulātoriem attiecas noteikumi par bīstamo kravu pārvadāšanu.

Šo akumulātoru transportēšana jāveic saskaņā ar vietējiem, valsts un starptautiskajiem normatīvajiem aktiem un noteikumiem.

- Patērētāja darbības, pārvadājot šos akumulātorus pa autoceļiem, nav reglamentētas.
- Uz litija jonu akumulātoru komerciālu transportēšanu, ko veic ekspedīcijas uzņēmums, attiecas bīstamo kravu pārvadāšanas noteikumi. Sagatavošanas darbus un transportēšanu drīkst veikt tikai atbilstoši apmācīts personāls. Viss process jāveda profesionāli.

Veicot akumulātoru transportēšanu, jāievēro:

- Pārliecinieties, ka kontakti ir aizsargāti un izolēti, lai izvairītos no īssavienojumiem.
- Pārliecinieties, ka akumulātorus iepakojumā nevar paslīdēt.
- Bojātus vai tekošus akumulātorus nedrīkst transportēt.

Plašāku informāciju Jūs varat saņemt no ekspedīcijas uzņēmuma.

SIMBOLI



UZMANĪBU! BĪSTAMI!



Pirms mašīnai veikt jebkāda veida apkopes darbus, ir jāizņem arī akumulātors.



Pirms sākt lietot instrumentu, lūdzu, izlasiet lietošanas pamācību.



Elektroiekārtas nedrīkst izmest kopā ar sadzīves atkritumiem. Elektriskās un elektroniskās iekārtas ir jāsavāc atsevišķi un jānodod pārstrādes uzņēmumam, kas no tām atbrīvosies dabai draudzīgā veidā. Meklējiet atbilstošas pārstrādes poligonus un savākšanas punktus vietējās pārvaldes iestādēs vai pie preces pārdevēja.



CE marķējums

EurAsian atbilstības marķējums.

| | |
|--|--------------------------|
| Produkto numeris | 4313 03 01... |
| | ...000001-999999 |
| Įrankių griebtuvus | ■ 1/2" (13 mm) |
| Sūkių skaičius laisva eiga | 0-1450 min ⁻¹ |
| Smūgių skaičius | 0-2450 min ⁻¹ |
| Sukimo momentas | 440 Nm |
| Maksimalus varžto / veržlės dydis | 1" (M25) |
| keičiamo akumulatoriaus įtampa | 28 V |
| Prietaiso svoris įvertintas pagal EPTA 2003/01 tyrimų metodiką. (3,0 Ah) | 4,1 kg |

Informacija apie keliamą triukšmą
 Vertės matuotos pagal EN 60 745.
 Įvertintas A įrenginio keliamo triukšmo lygis dažniausiai sudaro:
 Garso slėgio lygis (Paklaida K=3dB(A)) 101 dB (A)
 Garso galios lygis (Paklaida K=3dB(A)) 112 dB (A)

Nešioti klausos apsauginės priemonės!

Informacija apie vibraciją
 Bendroji svyravimų reikšmė (trijų krypčių vektorių suma), nustatyta remiantis EN 60745.
 Užveržti maksimalaus udžio varžtus ir veržles
 Vibravimų emisijos reikšmė a_{h,HD} 10,1 m/s²
 Paklaida K= 1,5 m/s²

DĖMESIO

Instrukcijoje nurodyta svyravimų ribinė vertė yra išmatuota remiantis standartu EN 60745; ji gali būti naudojama keliems elektriniams instrumentams palyginti. Ji taikoma ir laikinai įvertinti svyravimų apkrova.

Nurodyta svyravimų ribinė vertė yra taikoma pagrindinėse elektrinio instrumento naudojimo srityse. Svyravimų ribinė vertė gali skirtis naudojant elektrinį instrumentą kitose srityse, papildomai naudojant netinkamus elektrinius instrumentus arba juos nepakankamai techniškai prižiūrint. Dėl to viso darbo metu gali žymiai padidėti svyravimų apkrova.

Siekiant tiksliai nustatyti svyravimų apkrovą, būtina atsižvelgti ir į laikotarpį, kai įrenginys yra išjungtas arba įjungtas, tačiau faktiškai nenaudojamas. Dėl to viso darbo metu gali žymiai sumažėti svyravimų apkrova.

Siekiant apsaugoti vartotojus nuo svyravimo įtakos naudojamos papildomos saugos priemonės, pavyzdžiui, elektrinių darbo instrumentų techninė priežiūra, rankų šilumos palaikymas, darbo procesų organizavimas.

⚠ ĮSPĖJIMAS! Perskaitykite visus saugos nurodymus ir instrukcijas. Jei nepaisysite žemiau pateiktų saugos nuorodų ir reikalavimų, gali tenkti elektros smūgis, kilti gaisras ir/arba galite sunkiai susižaloti arba sužaloti kitus asmenis.
Išsaugokite šias saugos nuorodas ir reikalavimus, kad ir ateityje galėtumėte jais pasinaudoti.

⚠ SUKTUVAMS SKIRTI SAUGUMO NURODYMAI:

Prietaisą laikykite ant izoliuoto guminio paviršiaus, jei atliekate darbus, kurių metu sraigtas gali pasiekti sulenktas srovės tiekimo linijas. Sraigtui prisilietus prie įtampą tiekiančių linijų gali įsikrauti prietaiso dalys ir įvykti elektros smūgis.

Nešiokite klausos apsaugos priemones. Triukšmo poveikyje galima netekti klausos.

KITI SAUGUMO IR DARBO NURODYMAI

Dėvėkite apsaugines priemones. Dirbdami su mašina visada užsidėkite apsauginius akinius. Rekomenduotina dėvėti apsaugines priemones: apsaugos nuo dulkių respiratorius, apsaugines pirštines, kietus batus neslidžiais padais, šalmą ir klausos apsaugos priemones.

Darbo metu susidarancios dulkės yra dažnai kenksmingos sveikatai ir todėl turėtų nepatekti į organizmą. Dėvėti tinkamą apsauginę kaukę nuo dulkių.

Negalima apdirbti medžiagų, dėl kurių galimi sveikatos pažeidimai (pvz., asbesto).

Blokuojant įstatomąjį įrankį būtina išjungti prietaisą! Neįjunkite prietaiso, kol įstatomasis įrankis yra užblokuotas; galimas grįžtamasis smūgis su dideliu sukimo momentu. Atsižvelgdam į saugumo nurodymus, nustatykite ir pašalinkite įstatomojo įrankio blokavimo priežastį.

Galimos priežastys:
 • Susidariusios apdirbamo ruošinio briaunos
 • Apdirbamos medžiagos pratrūkimas
 • Elektros įrankio perkrova

Nekiškite rankų į veikiančią mašiną.

Naudojamas įstatomasis įrankis gali įkaisti.
DĖMESIO! Pavojus nusideginti

- keičiant įrankį
- padedant prietaisą

Draudžiama išiminti drožles ar nuopjovas, įrenginui veikiant.

Dirbdami sienoje, lubose arba grindyse, atkreipkite dėmesį į elektros laidus, dujų ir vandens vamzdžius.

Ruošinį užfiksuokite įtempimo įrenginiu. Neužfiksuoti ruošiniai gali sunkiai sužaloti ir būti pažeidimų priežastimi.

Prieš atlikdami bet kokius darbus įrenginyje, išimkite keičiamą akumuliatorių.

Sunaudotų keičiamų akumuliatorių nedeginkite ir nemeskite į buitines atliekas. „Milwaukee“ siūlo tausojantį aplinką sudėvėtų keičiamų akumuliatorių tvarkymą, apie tai prekyboje atstovo.

Keičiamų akumuliatorių nelaikykite kartu su metaliniais daiktais (trumpojo jungimo pavojus).

Keičiamus V-Tec sistemos akumuliatorius kraukite tik „V-Tec“ sistemos įkrovikliais. Nekraukite kitų sistemų akumuliatorių.

Keičiamų akumuliatorių ir įkroviklių nelaikykite atvirai. Laikykite tik sausoje vietoje. Saugokite nuo drėgmės.

Ekstremalių apkrovų arba ekstremalios temperatūros poveikyje iš keičiamų akumuliatorių gali ištekėti akumulatoriaus skystis. Išsitempus akumulatoriaus skysčiu, tuoj pat nuplaukite vandeniu su muilu. Patekus į akis, tuoj

pat ne trumpiau kaip 10 minučių gausiai skalaukite vandeniu ir tuoj pat kreipkitės į gydytoją.

NAUDOJIMAS PAGAL PASKIRTĮ

Akumuliatorinį impulsinį suktuvą galima universaliai naudoti varžtams ir veržlėms priveržti ir atpalaiduoti, nepriklausomai nuo galimybės jungtis į el. tinklą.

Šį prietaisą leidžiama naudoti tik pagal nurodytą paskirtį.

CE ATITIKTIES PAREIŠKIMAS

Remiantis bendrais atsakomybės reikalavimais pareiškiam, jog skyriuje "Techniniai duomenys" aprašytas produktas atitinka visus toliau pateiktų juridinių direktyvų reikalavimus: 2011/65/EU (RoHS), 2004/108/EB, 2006/42/EB ir kitus su jomis susijusius norminius dokumentus:

- EN 60745-1:2009 + A11:2010
- EN 60745-2-1:2010
- EN 60745-2-2:2010
- EN 55014-1:2006 + A1:2009 + A2:2011
- EN 55014-2:1997 + A1:2001 + A2:2008
- EN 50581:2012

Winnenden, 2014-09-03


 Alexander Krug
 Managing Director



Įgaliotas parengti techninius dokumentus.

Techtronic Industries GmbH
 Max-Eyth-Straße 10
 71364 Winnenden
 Germany

AKUMULIATORIAI

Ilgesnį laiką nenaudotus keičiamus akumuliatorius prieš naudojimą įkraukite.

Aukštesnė nei 50°C temperatūra mažina keičiamų akumuliatorių galią. Venkite ilgesnio saulės ar šilumos šaltinių poveikio.

Įkroviklio ir keičiamo akumuliatoriaus jungiamieji kontaktai visada turi būti švarūs.

Pasinaudoję prietaisu, visiškai įkraukite akumuliatorių, kad prietaisais veiktų optimaliai ilgai.

Siekiant užtikrinti kuo ilgesnį baterijos tarnavimo laiką, reikėtų ją po atlikto įkrovimo iškart išimti iš įkroviklio.

Bateriją laikant ilgiau nei 30 dienų, būtina atkreipti dėmesį į šias nuorodas: bateriją laikyti sausoje aplinkoje, esant apie 27 °C temperatūrai. Baterijos įkrovimo lygis turi būti nuo 30% iki 50%. Baterija pakartotinai turi būti įkraunama kas 6 mėnesius.

APSAUGA NUO AKUMULIATORIAUS PERKROVOS

Perkrovus akumuliatorių dėl itin didelės vartojamos srovės, pvz.: labai didelių apsučių, staigaus stabdymo, trumpo sujungimo ar užsikirtus gražtui, elektrinis įrankis veikia dar 2 sekundes ir išsijungia automatiškai.

Norint iš naujo įjungti įrankį, reikia atleisti mygtuką ir jį dar kartą įjungti.

Dėl ekstremalių apkrovų akumuliatorius gali labai stipriai įkaisti. Tokiu atveju jis išsijungia.

Tada akumuliatorių reikia įkišti į kroviklį, kad jis įsikrautų ir veiktų.

Naudokite tik „Milwaukee“ priedus ir „Milwaukee“ atsargines dalis. Dalis, kurių keitimas neaprašytas, leidžiama keisti tik „Milwaukee“ klientų aptarnavimo skyriams (žr. garantiją/ klientų aptarnavimo skyrių adresus brošiūroje).

Esant poreikiui, nurodžius mašinos modelį ir šešiaženklį numerį, esantį ant specifikacijų lentelės, klientų aptarnavimo centre arba tiesiogiai „Techtronic Industries GmbH“, Max-Eyth-Str. 10, 71364 Winnenden, Vokietija, galite užsakyti išplėstinį prietaiso brėžinį.

LIČIO JONŲ AKUMULIATORIŲ PERVEŽIMAS

Ličio jonų akumuliatoriams taikomos įstatyminės nuostatos dėl pavojingų krovinių pervežimų.

Šiuos akumuliatorius pervežti būtina laikantis vietinių, nacionalinių ir tarptautinių direktyvų ir nuostatų.


- Naudotojai šiuos akumuliatorius gali naudoti savo transporte be jokių kitų sąlygų.
- Už komercinį ličio jonų akumuliatorių pervežimą atsako ekspedicijos įmonė pagal nuostatas dėl pavojingų krovinių pervežimo. Pasiruošimo išsiųsti ir pervežimo darbus gali atlikti tik atitinkamai išmokyti asmenys. Visas procesas privalo būti prižiūrimas.


Pervežant akumuliatorius būtina laikytis šių punktų:


- Siekiant išvengti trumpųjų jungimų, įsitikinkite, kad kontaktai yra apsaugoti ir izoliuoti.
- Atkreipkite dėmesį, kad akumuliatorius pakuotės viduje neslidinėtų.
- Draudžiama pervežti pažeistus arba tekančius akumuliatorius.


Dėl detalesnių nurodymų kreipkitės į savo ekspedicijos įmonę.

SIMBOLIAI

 DĖMESIO! ĮSPĖJIMAS! PAVOJUS!

 Prieš atlikdami bet kokius darbus įrenginyje, išimkite keičiamą akumuliatorių.

 Prieš pradėdami dirbti su prietaisu, atidžiai perskaitykite jo naudojimo instrukciją.

 Elektros prietaisų negalima išmesti kartu su buitinėmis atliekomis. Būtina rūšiuoti elektros ir elektroninius prietaisus ir atiduoti į atliekų perdirbimo centrą, kad jie būtų utilizuoti netešiant aplinkos. Informacijos apie perdirbimo centrus ir atliekų surinkimo įstaigas teiraukitės vietos įstaigoje arba prekybininko.

 CE ženklas

„EurAsian“ atitikties ženklas.

TEHNILISED ANDMED JÜTHMETA KRUVIKEERAJA HD 28 IW

| | |
|--|--------------------------|
| Tootmisnumber | 4313 03 01... |
| | ...000001-999999 |
| Tööriista kinnitus | ■ 1/2" (13 mm) |
| Pöörlemiskiirus tühjooksul | 0-1450 min ⁻¹ |
| Löökide arv | 0-2450 min ⁻¹ |
| Pöördemoment | 440 Nm |
| Maksimaalne kruvi / mutri suurus | 1" (M25) |
| Vahetatava aku pinge | 28 V |
| Kaal vastavalt EPTA-protseduurile 01/2003 (1,5 Ah) | 4,1 kg |

Müra andmed

Mõõteväärtused on kindlaks tehtud vastavalt normile EN 60745.

Seadme tüüpiline hinnanguline (A) müratase:

| | |
|---|------------|
| Helirõhutase (Määramatus K=3dB(A)) | 101 dB (A) |
| Helivõimsuse tase (Määramatus K=3dB(A)) | 112 dB (A) |

Kandke kaitseks kõrvaklappe!**Vibratsiooni andmed**

Vibratsiooni koguväärtus (kolme suuna vektorsummmõõdetud EN 60745 järgi).

Maksimaalse suurusega kruvide ja mutrite pingutamine

| | |
|---|-----------------------|
| Vibratsiooni emissiooni väärtus a _{h,HD} | 10,1 m/s ² |
| Määramatus K= | 1,5 m/s ² |

TÄHELEPANU

Antud juhendis toodud võnketase on mõõdetud EN 60745 standardile vastava mõõtesüsteemiga ning seda võib kasutada erinevate elektriseadmete omavahelises võrdlemises. Antud näitaja sobib ka esmaseks võnkekoormuse hindamiseks.

Antud võnketase kehtib elektriseadme kasutamisel sihtotstarbeliselt. Kui elektriseadet kasutatakse muudel otstarvetel, muude tööriistadega või seda ei hooldata piisavalt võib võnketase siintoodust erineda. Eeltoodu võib võnketaset märkimisväärselt tõsta terves töökeskkonnas.

Võnketaseme täpseks hindamiseks tuleks arvestada ka aega, mil seade on välja lülitatud või on küll sisse lülitatud, kuid ei ole otseselt kasutuses. See võib märgatavalt vähendada kogu töökeskkonna võnketaset.

Rakendage spetsiaalseid ettevaatusabinõusid töötajate suhtes, kes puutuvad töö käigus palju kokku vibratsiooniga. Nendeks abinõudeks võivad olla, näiteks: elektri- ja tööseadmete korraline hooldus, käte soojendamine, töövoos parem organiseerimine.

▲ HOIATUS! Lugege kõiki ohutusjuhiseid ja korraldusi.

Ohutusnõuete ja juhiste eiramise tagajärjeks võib olla elektrilöök, tulekahju ja/või raskekäsi vigastused.

Hoidke kõik ohutusnõuded ja juhised edasiseks kasutamiseks hoolikalt alles.

▲ KRUVITSATE OHUTUSJUHISED:

Hoidke käed seadme isoleeritud käepidemetel, kui Te teostate töid, mille juures kruvi võib sattuda varjatud voolujuhtmetele. Kruvi kontakt pinget juhtiva juhtmega võib panna metallist seadme osad pingele alla ja põhjustada elektrilööki.

Kandke kaitseks kõrvaklappe. Müra mõju võib kutsuda esile kuulmise kaotuse.

EDASISED OHUTUS- JA TÖÖJUHISED

Kasutada kaitsevarustust. Masinaga töötamisel kanda alati kaitseprille. Kaitseriietusena soovivat kasutada tolmu- ja kaitsemaski kaitsekindaid, kinniseid ja libisemisvastase tallaga jalanõusid, kiivrit ja kuulmisteede kaitset.

Töö ajal tekkiv tolm on sageli tervistkahjustav ning ei tohiks sattuda organismi. Kanda sobivat kaitsemaski.

Töödelda ei tohi materjale, millest lähtub oht tervisele (nt asbest).

Palun lülitage seade rakendustööriista blokeerumise korral kohe välja! Ärge lülitage seadet sisse tagasi, kuni rakendustööriist on blokeeritud; seejuures võib kõrge reaktsioonimomendiga tagasilööki tekkida. Tehke ohutusjuhiseid arvestades võttes kindlaks ja kõrvaldage rakendustööriista blokeerumise põhjus.

Selle võimalikeks põhjusteks võivad olla:

- viltu asetumine töödeldavas toorikus
- töödeldava materjali läbimurdamine
- elektritööriista ülekoormamine

Ärge sisestage jäsemeid töötavasse masinasse.

Rakendustööriist võib kasutamise ajal kuumaks minna.

TÄHELEPANU! Põletusohu

- tööriista vahetamisel
- seadme ärapanemisel

Puru ega pilpald ei tohi eemaldada masina töötamise ajal.

Seina, lae või põrandat tööde puhul pidage silmas elektrijuhtmeid, gaasi- ja veetorusid.

Kinnitage toorik kinnipingutusseadisega. Kinnitamata toorikud võivad raskeid vigastusi ja kahjustusi põhjustada.

Enne kõiki töid masina kallal võtke vahetatav aku välja.

Ärge visake tarvitatud vahetatavaid akusid tulle ega olmeprügisse. Milwaukee pakub vanade akude keskkonnahoidlikku käitlust; palun küsige oma erialaselt tarnijalt.

Ärge säilitage vahetatavaid akusid koos metallesemetega (lühiseoht).

Laadige süsteemi V-Tec vahetatavaid akusid ainult süsteemi V-Tec laadijatega. Ärge laadige nendega teiste süsteemide akusid.

Ärge avage vahetatavaid akusid ega laadijaid ning ladustage neid ainult kuivades ruumides. Kaitske niiskuse eest.

Äärmuslik koormusel või äärmuslikul temperatuuril võib kahjustatud vahetatavat akust akuedelik välja voolata. Akuedelikuga kokkupuutumise korral peske kohe vee ja seebiga. Silma sattumise korral loputage kiiresti põhjalikult vähemalt 10 minutit ning pöörduge viivitamatult arsti poole.

KASUTAMINE VASTAVALT OTSTARBELE

Aku-löökkruvits on universaalne tööriist mutrite ja kruvide kinni- ja lahti keeramiseks võrguühendusest sõltumata.

Antud seadet tohib kasutada ainult vastavalt äranäidatud otstarbele.

EÜ VASTAVUSAVALDUS

Me deklareerime ainuiskuliselt vastutades, et lõigus "Tehnilised andmed" kirjeldatud toode vastab direktiivide 2011/65/EU (RoHS), 2004/108/EÜ, 2006/42/EÜ kõigile olulisele tähtsusega eeskirjadele ning järgmistele harmoniseeritud normatiivsetele dokumentidele:

EN 60745-1:2009 + A11:2010
 EN 60745-2-1:2010
 EN 60745-2-2:2010
 EN 55014-1:2006 + A1:2009 + A2:2011
 EN 55014-2:1997 + A1:2001 + A2:2008
 EN 50581:2012

Winnenden, 2014-09-03



Alexander Krug
 Managing Director



On volitatud koostama tehnilist dokumentatsiooni.

Techronic Industries GmbH
 Max-Eyth-Straße 10
 71364 Winnenden
 Germany

AKUD

Pikemat aega mittekasutatud akusid laadige veel enne kasutamist.

Temperatuur üle 50 °C vähendab vahetatava aku töövoimet. Vältige pikemat soojenemist päikese või kütteseadme mõjul.

Hoidke laadija ja vahetatava aku ühenduskontaktid puhtad.

Patreide optimaalse eluea tagamiseks, pärast kasutamist täielikult lae pateriide plokki.

Akud tuleks võimalikult pika kasutuse saavutamiseks pärast täislaadimist laadijast välja võtta.

Aku ladustamisel üle 30 päeva:

Ladustage akut kuivas kohas u 27°C juures.

Ladustage akut u 30-50% laetusseisundis.

Laadige aku iga 6 kuu tagant täis.

AKU KOORMUSKAITSE

Aku ülekoormamisest kõrge voolutarbimisega, nt puuri blokeerumisel, äkilisel seiskumisel või lühise tekkimisel, vibreerib elektritööriist 2 sekundit ning seejärel lülitub automaatselt välja.

Uuesti sisse lülitamiseks tuleb päästik esmalt vabastada ning seejärel uuesti alla suruda.

Ülisuurel koormusel võib aku kuumeneda kõrgete

temperatuurideni. Sellisel juhul lülitub aku välja.

Aku tuleb laadimiseks ja taasaktiveerimiseks sisestada laadimisseadmesse.

HOOLDUS

Kasutage ainult Milwaukee tarvikuid ja Milwaukee tagavaraosi. Detailid, mille väljavahetamist pole kirjeldatud, laske välja vahetada Milwaukee klienditeeninduspunkti (vaadake brošüüri garantii / klienditeeninduste aadressid).

Vajadusel saab nõuda seadme plahvatusjoonise võimsussildil oleva masinatüübi ja kuuekohalise numbriga alusel klienditeeninduspunkti või vahetult firmalt Techronic Industries GmbH, Max-Eyth-Straße 10, 71364 Winnenden, Germany.

LIITIUMIOONAKUDE TRANSPORTIMINE

Liitiumioonakud on allutatud ohtlike ainete transportimisega seonduvatele õigusaktidele.

Nende akude transportimise peab toimuma kohalikest, siseriiklikest ja rahvusvahelistest eeskirjadest ning määrustest kinni pidades.

- Tarbijad tohivad neid akusid edasiste piiranguteta tänaval transportida.
- Liitiumioonakude komertstransport ekspedeerimisettevõtete kaudu on allutatud ohtlike ainete transportimisega seonduvatele õigusaktidele. Tarne-ettevalmistusi ja transporti tohivad teostada eranditult vastavalt koolitatud isikud. Kogu protsessi tuleb asjatundlikult jälgida.

Akude transportimisel tuleb järgida järgmisi punkte:

- Tehke kindlaks, et kontaktid on lühiste vältimiseks kaitstud ja isoleeritud.
- Pöörake tähelepanu sellele, et akupakk ei saaks pakendis nihkuda.
- Kahjustatud või välja voolanud akusid ei tohi kasutada.

Pöörduge edasiste juhiste saamiseks ekspedeerimisettevõtte poole.

SÜMBOLID

ETTEVAATUST! TÄHELEPANU! OHUD!



Enne kõiki töid masina kallal võtke vahetatav aku välja.



Palun lugege enne käikulaskmist kasutusjuhend hoolikalt läbi.



Elektriseadmeid ei tohi utiliseerida koos majapidamisprügiga. Elektrilised ja elektroonilised seadmed tuleb eraldi kokku koguda ning keskkonnasõbralikuks utiliseerimiseks vastavas käitlusettevõttes ära anda. Küsige kohalikest pädevatest ametitest või edasimüüjalt käitlusjaamade ja kogumispunktide kohta järele.



CE-märk

Euraasia vastavusmärk.

ТЕХНИЧЕСКИЕ ДАННЫЕ АКК. ИМПУЛЬСНЫЙ ГАЙКОВЕРТ HD 28 IW

| | |
|--|-----------------------------------|
| Серийный номер изделия | 4313 03 01... ...000001-999999 |
| Держатель вставок | ■ 1/2" (13 mm) |
| Число оборотов без нагрузки (об/мин) | 0-1450 min ⁻¹ |
| Количество ударов в минуту | 0-2450 min ⁻¹ |
| Момент затяжки | 440 Nm |
| Максимальный размер винта / Размер гайки | 1" (M25) |
| Вольтаж аккумулятора | 28 V |
| Вес согласно процедуре EPTA 01/2003 (3,0 Ah) | 4,1 kg |

Информация по шумам

Значения замерялись в соответствии со стандартом EN 60 745. Уровень шума прибора, определенный по показателю A, обычно составляет:

| | |
|--|------------|
| Уровень звукового давления (Небезопасность K=3dB(A)) | 101 dB (A) |
| Уровень звуковой мощности (Небезопасность K=3dB(A)) | 112 dB (A) |

Пользуйтесь приспособлениями для защиты слуха.

Информация по вибрации

Общие значения вибрации (векторная сумма трех направлений) определены в соответствии с EN 60745. Завинчивание винтов и гаек максимальных размеров

| | |
|--|-----------------------|
| Значение вибрационной эмиссии a _{h,в} | 10,1 m/s ² |
| Небезопасность K= | 1,5 m/s ² |

ВНИМАНИЕ

Указанный в настоящем руководстве уровень вибрации измерен в соответствии с технологией измерения, установленной стандартом EN 60745 и может использоваться для сравнения электроинструментов друг с другом. Он также подходит для предварительной оценки вибрационной нагрузки.

Указанный уровень вибрации представляет основные виды использования электроинструмента. Но если электроинструмент используется для других целей, используемый инструмент отклоняется от указанного или техническое обслуживание было недостаточным, то уровень вибрации может отклоняться от указанного. В этом случае вибрационная нагрузка в течение всего периода работы значительно увеличивается.

Для точной оценки вибрационной нагрузки необходимо также учитывать время, в течение которого прибор отключен или включен, но фактически не используется. В этом случае вибрационная нагрузка в течение всего периода работы может существенно уменьшиться.

Установите дополнительные меры безопасности для защиты пользователя от воздействия вибрации, например: техническое обслуживание электроинструмента и используемого инструмента, поддержание рук в теплом состоянии, организация рабочих процессов.

⚠ ПРЕДУПРЕЖДЕНИЕ! Прочтите все указания по безопасности и инструкции. Улучшения, допущенные при соблюдении указаний и инструкций по технике безопасности, могут стать причиной электрического поражения, пожара и тяжелых травм. **Сохраняйте эти инструкции и указания для будущего использования.**

⚠ УКАЗАНИЯ ПО ТЕХНИКЕ БЕЗОПАСНОСТИ ДЛЯ ИМПУЛЬСНЫЙ ГАЙКОВЕРТ

Если Вы выполняете работы, при которых болт может зацепить скрытую электропроводку, устройство следует держать за специально предназначенные для этого изолированные поверхности. Контакт болта с токоведущим проводом может ставить под напряжение металлические части прибора, а также приводить к удару электрическим током.

Используйте наушники! Воздействие шума может привести к потере слуха.

ДОПОЛНИТЕЛЬНЫЕ УКАЗАНИЯ ПО БЕЗОПАСНОСТИ И РАБОТЕ

Пользоваться средствами защиты. Работать с инструментом всегда в защитных очках. Рекомендуется спецодежда: пылезащитная маска, защитные перчатки, прочная и нескользящая обувь, каска и наушники.

Пыль, возникающая при работе данным инструментом, может нанести вред здоровью. Не следует допускать её попадания в организм. Надевайте противопылевой респиратор.

Запрещается обрабатывать материалы, которые могут нанести вред здоровью (напр., асбест).

При блокировании используемого инструмента немедленно выключить прибор! Не включайте прибор до тех пор, пока используемый инструмент заблокирован, в противном случае может возникнуть отдача с высоким реактивным моментом. Определите и устраните причину блокирования используемого инструмента с учетом указаний по безопасности.

Возможными причинами могут быть:

- перекос заготовки, подлежащей обработке
- разрушение материала, подлежащего обработке
- перегрузка электроинструмента

Не прикасаться к работающему станку.

Используемый инструмент может нагреваться во время применения. **ВНИМАНИЕ!** Опасность получения ожога

- при смене инструмента
- при укладывании прибора

Не убирайте опилки и обломки при включенном инструменте.

При работе в стенах, потолках или полу следите за тем, чтобы не повредить электрические кабели или водопроводные трубы.

Зафиксируйте вашу заготовку с помощью зажимного приспособления. Незафиксированные заготовки могут привести к тяжелым травмам и повреждению.

Выньте аккумулятор из машины перед проведением с ней каких-либо манипуляций.

Не выбрасывайте использованные аккумуляторы вместе с домашним мусором и не сжигайте их. Дистрибьюторы компании Milwaukee предлагают восстановление старых аккумуляторов, чтобы защитить окружающую среду.

Не храните аккумуляторы вместе с металлическими предметами во избежание короткого замыкания.

Для зарядки аккумуляторов модели V-Тес используйте только зарядным устройством V-Тес. Не заряжайте аккумуляторы других систем.

Никогда не вскрывайте аккумуляторы или зарядные устройства и храните их только в сухих помещениях. Следите, чтобы они всегда были сухими.

Аккумуляторная батарея может быть повреждена и дать течь под воздействием чрезмерно высокой температуры или повышенной нагрузки. В случае контакта с аккумуляторной кислотой немедленно промойте место контакта мылом и водой. В случае попадания кислоты в глаза промойте глаза в течение 10 минут и немедленно обратитесь за медицинской помощью.

ИСПОЛЬЗОВАНИЕ

Универсальный аккумуляторный винтовёрт с ударным режимом служит для завинчивания и отвертывания болтов и гаек, не требуя подключения к электросети.

Не пользуйтесь данным инструментом способом, отличным от указанного для нормального применения.

ДЕКЛАРАЦИЯ О СООТВЕТСТВИИ СТАНДАРТАМ ЕС

Мы заявляем под собственную ответственность, что изделие, описанное в разделе "Технические характеристики", соответствует всем важным предписаниям Директивы 2011/65/EU (Директива об ограничении применения опасных веществ в электрических и электронных приборах), 2004/108/EC, 2006/42/EC и приведенным далее гармонизированным нормативным документам:

EN 60745-1:2009 + A11:2010
EN 60745-2-1:2010
EN 60745-2-2:2010
EN 55014-1:2006 + A1:2009 + A2:2011
EN 55014-2:1997 + A1:2001 + A2:2008
EN 50581:2012

Winnenden, 2014-09-03

Alexander Krug

Alexander Krug
Managing Director



Уполномочен на составление технической документации.

Techtronic Industries GmbH
Max-Eyth-Straße 10
71364 Winnenden
Germany

АККУМУЛЯТОР

Перед использованием аккумулятора, которым не пользовались некоторое время, его необходимо зарядить.

Температура свыше 50°C снижает работоспособность аккумуляторов. Избегайте продолжительного нагрева или прямого солнечного света (риск перегрева).

Контакты зарядного устройства и аккумуляторов должны содержаться в чистоте.

Чтобы снова зарядить и активировать аккумулятор, подключите его к зарядному устройству.

Для обеспечения оптимального срока службы аккумуляторы необходимо полностью заряжать после использования.

Для достижения максимально возможного срока службы аккумуляторы после зарядки следует вынимать из зарядного устройства.

При хранении аккумулятора более 30 дней:

Храните аккумулятор при 27°C в сухом месте.
Храните аккумулятор с зарядом примерно 30% - 50%.
Каждые 6 месяцев аккумулятор следует заряжать.

ЗАЩИТА АККУМУЛЯТОРА ОТ ПЕРЕГРУЗКИ

При перегрузке аккумулятора из-за очень высокого расхода электроэнергии, напр., предельно высоких крутящих моментов, заклинивания сверла, внезапной остановки или короткого замыкания, электроинструмент гудит 2 секунды и автоматически отключается. Для повторного включения отпустить кнопку выключателя и затем снова включить.

При предельно высоких нагрузках аккумулятор может сильно нагреться. В этом случае аккумулятор отключится.

ОБСЛУЖИВАНИЕ

Пользуйтесь аксессуарами и запасными частями Milwaukee. В случае возникновения необходимости в замене, которая не была описана, обращайтесь в один из сервисных центров по обслуживанию электроинструментов Milwaukee (см. список сервисных организаций).

При необходимости, у сервисной службы или непосредственно у фирмы Techtronic Industries GmbH, Max-Eyth-Straße 10, 71364, Winnenden, Германия, можно запросить сборочный чертеж устройства,

сообщив его тип и шестизначный номер, указанный на фирменной табличке.

ТРАНСПОРТИРОВКА ЛИТИЙ-ИОННЫХ АККУМУЛЯТОРОВ

Литий-ионные аккумуляторы в соответствии с предписаниями закона транспортируются как опасные грузы.

Транспортировка этих аккумуляторов должна осуществляться с соблюдением местных, национальных и международных предписаний и положений.

- Эти аккумуляторы могут перевозиться по улице потребителем без дальнейших обязательств.
- При коммерческой транспортировке литий-ионных аккумуляторов экспедиторскими компаниями действуют положения, касающиеся транспортировки опасных грузов. Подготовка к отправке и транспортировка должны производиться исключительно специально обученными лицами. Весь процесс должен находиться под контролем специалиста.

При транспортировке аккумуляторов необходимо соблюдать следующие пункты:

- Убедитесь, что контакты защищены и изолированы во избежание короткого замыкания.
- Следите за тем, чтобы аккумуляторный блок не соскользнул внутри упаковки.
- Транспортировка поврежденных или протекающих аккумуляторов запрещена.

За дополнительными указаниями обратитесь к своему экспедитору.

СИМВОЛЫ



ВНИМАНИЕ! ПРЕДУПРЕЖДЕНИЕ! ОПАСНОСТЬ!



Выньте аккумулятор из машины перед проведением с ней каких-либо манипуляций.



Пожалуйста, внимательно прочтите инструкцию по использованию перед началом любых операций с инструментом.



Электрические устройства нельзя утилизировать вместе с бытовым мусором. Электрические и электронные устройства следует собирать отдельно и сдавать в специализированную утилизирующую компанию для утилизации в соответствии с нормами охраны окружающей среды. Сведения о центрах вторичной переработки и пунктах сбора можно получить в местных органах власти или у вашего специализированного дилера.



Знак CE

Сертификата о соответствии No. RU C-DE. ME 77. В.01599
Срок действия сертификата о соответствии по 16.06.2019
ООО «Центр по сертификации стандартизации и систем качества электро-машиностроительной продукции» 141400, РФ, Московская область, г. Химки, Ул. Ленинградская, 29



Національний знак відповідності України

| ТЕХНИЧЕСКИ ДАННИ | АКУМУЛАТОРЕН ИМПУЛСЕН ВИНТОВЕРТ | HD 28 IW |
|--|-----------------------------------|----------|
| Производствен номер..... | 4313 03 01... ...000001-999999 | |
| Гнездо за закрепване на инструменти | ■ 1/2" (13 mm) | |
| Обороти на празен ход..... | 0-1450 min ⁻¹ | |
| Брой на ударите | 0-2450 min ⁻¹ | |
| Въртящ момент | 440 Nm | |
| Максимален размер на болта/на гайката | 1" (M25) | |
| Напрежение на акумулатора | 28 V | |
| Тегло съгласно процедурата EPTA 01/2003 (3,0 Ah) | 4,1 kg | |

Информация за шума

Измерените стойности са получени съобразно EN 60 745. Оцененото с А ниво на шума на уреда е съответно:

Равнище на звуковото налягане (Несигурност K=3dB(A))..... 101 dB (A)
Равнище на шумостта на звука (Несигурност K=3dB(A)) 112 dB (A)

Да се носи предпазно средство за слуха!

Информация за вибрациите

Общите стойности на вибрациите (векторна сума на три посоки) са определени в съответствие с EN 60745.

Затягане на болтове/гайки с максимален размер

Стойност на емисии на вибрациите a_{h,rid}..... 10,1 m/s²
Несигурност K= 1,5 m/s²

ВНИМАНИЕ

Посоченото в тези инструкции ниво на вибрациите е измерено в съответствие със стандартизиран в EN 60745 измервателен метод и може да се използва за сравнение на електрически инструменти помежду им. Подходящ е и за временна оценка на вибрационното натоварване.

Посоченото ниво на вибрациите представя основните приложения на електрическия инструмент. Ако обаче електрическият инструмент се използва с друго предназначение, с различни сменяеми инструменти или при недостатъчна техническа поддръжка, нивото на вибрациите може да е различно. Това чувствително може да увеличи вибрационното натоварване по време на целия работен цикъл.

За точната оценка на вибрационното натоварване трябва да се вземат предвид и периодите от време, в които уредът е изключен или работи, но в действителност не се използва. Това чувствително може да намали вибрационното натоварване по време на целия работен цикъл.

Определете допълнителни мерки по техника на безопасност в защита на обслужващия работник от въздействието на вибрациите като например: техническа поддръжка на електрическия инструмент и сменяемите инструменти, поддържане на ръцете топли, организация на работния цикъл.

⚠ ПРЕДУПРЕЖДЕНИЕ! Прочетете всички указания и напътствия за безопасност.

Пропуски при спазването на указанията и напътствията за безопасност могат да доведат до токов удар, пожар и/или тежки наранявания.

Съхранявайте указанията и напътствията за безопасност за справка при нужда.

⚠ УКАЗАНИЯ ЗА БЕЗОПАСНОСТ ЗА СВРЕДЛА ЗА УДАРНО ПРОБИВАНЕ:

Когато извършвате работи, при които болтът може да докосне скрити електрически кабели, дръжте уреда за изолираните ръкохватки. Контактът на болта с токопроводим проводник може да постави метални част на уреда под напрежение и може да Ви хване ток.

Носете средство за защита на слуха. Въздействието на шума може да предизвика загуба на слуха.

ДОПЪЛНИТЕЛНИ УКАЗАНИЯ ЗА РАБОТА И БЕЗОПАСНОСТ

Да се използва предпазни средства. При работа с машината винаги носете предпазни очила. Препоръчват се защитно облекло и прахозащитна маска, защитни ръкавици, здрави и нехлъзгащи се обувки, каска и предпазни средства за слуха.

Прахът, който се образува при работа, често е вреден за здравето и не бива да попада в тялото. Да се носи подходяща прахозащитна маска.

Не е разрешена обработката на материали, които представляват опасност за здравето (напр. азбест).

Ако използваният инструмент блокира, изключете веднага уреда! Не включвайте уреда отново, докато използваният инструмент е блокиран; това би могло да доведе до откат с висока реактивна сила. Открийте и отстранете причината за блокирането на

използвания инструмент имайки в предвид инструкциите за безопасност.

Възможни причини за това могат да бъдат:

- Заклинване в обработваната част
- Пробиване на материала
- Пренатоварване на електрическия инструмент

Не бъркайте в машината, докато тя работи.

Използваният инструмент може да загрее по време на употреба.

ВНИМАНИЕ! Опасност от изгаряния

- при смяна на инструмента
- при оставане на уреда

Стружки или отчупени парчета да не се отстраняват, докато машина работи.

При работа в стени, тавани или подове внимавайте за кабели, газопроводи и водопроводи.

Закрепете обработваната част с устройство за захващане. Незакрепени части за обработка могат да причинят сериозни наранявания и материални щети.

Преди започване на каквито е да е работи по машината извадете акумулатора.

Не изхвърляйте изхабените акумулатори в огъня или в при битовите отпадъци. Milwaukee предлага екологосъобразно събиране на старите акумулатори; моля попитайте Вашия специализиран търговец.

Не съхранявайте акумулаторите заедно с метални предмети (опасност от късо съединение).

Акумулатори от системата V-Тес да се зареждат само със зарядни устройства от системата V-Tec laden. Да не се зареждат акумулатори от други системи.

Не отваряйте акумулатори и зарядни устройства и ги съхранявайте само в сухи помещения. Пазете ги от влага.

При екстремно натоварване или екстремна температура от повредени акумулатори може да изтече батерийна течност. При допир с такава течност веднага измийте с вода и сапун. При контакт с очите веднага изплаквайте старателно най-малко 10 минути и незабавно потърсете лекар.

ИЗПОЛЗВАНЕ ПО ПРЕДНАЗНАЧЕНИЕ

Акумулаторният ударен гайковерт може да се използва универсално за завиване и отвиване на болтове и гайки, без да зависи от връзка с електрическата мрежа.

Този уред може да се използва по предназначение само както е посочено.

СЕ - ДЕКЛАРАЦИЯ ЗА СЪОТВЕТСТВИЕ

Заявяваме под собствена отговорност, че описаният в "Технически данни" продукт съответства на всички важни разпоредби на директива 2011/65/EU (RoHS), 2004/108/EO, 2006/42/EO, както и на всички следващи нормативни документи във тази връзка.

EN 60745-1:2009 + A11:2010

EN 60745-2-1:2010

EN 60745-2-2:2010

EN 55014-1:2006 + A1:2009 + A2:2011

EN 55014-2:1997 + A1:2001 + A2:2008

EN 50581:2012

Winnenden, 2014-09-03

Alexander Krug

Alexander Krug
Managing Director



Упълномощен за съставяне на техническата документация

Techtronic Industries GmbH
Max-Eyth-Straße 10
71364 Winnenden
Germany

АКУМУЛАТОРИ

Акумулатори, които не са ползвани по-дълго време, преди употреба да се дозаредят.

Температура над 50°C намалява мощността на акумулатора. Да се избягва по-продължително нагряване на слънце или от отопление.

Поддържайте чисти присъединителните контакти на зарядното устройство и на акумулатора.

С цел оптимална продължителност на живот след употреба батериите трябва да бъдат заредени напълно.

За възможно по-дълга продължителност на живот батериите трябва да се изваждат от уреда след зареждане.

При съхранение на батериите за повече от 30 дни: съхранявайте батерията при прикл. 27°C и на сухо място. Съхранявайте батерията при 30 до 50 % от заряда. Зареждайте батерията на всеки 6 месеца.

ЗАЩИТА ОТ ПРЕТОВАРВАНЕ НА БАТЕРИЯТА

При претоварване на акумулатора поради много висока консумация на ток, напр. много високи въртящи моменти, закъпване на свредлото, внезапен стоп или късо съединение, електрическият инструмент бърмъчи 2 секунди и самостоятелно се изключва.

За ново включване освободете бутона за включване и отново го включете.

При извънредни натоварвания акумулаторът може да се нагрее силно. В този случай акумулаторът изключва.

Тогава акумулаторът да се включи към зарядното устройство, за да се дозареди и активира.

ПОДДРЪЖКА

Да се използва само аксесоари на Milwaukee и резервни части на Milwaukee. Елементи, чията подмяна не е описана, да се дадат за подмяна в сервис на Milwaukee (вижте брошурата "Гаранция и адреси на сервиси").

При необходимост можете да поискате схема на елементите на уреда при посочване на обозначение на машината и шестцифрения номер на табелката за технически данни от Вашия сервис или директно на Techtronic Industries GmbH, Max-Eyth-Straße 10, 71364 Winnenden, Германия.

ПРЕВОЗ НА ЛИТИЕВО-ЙОННИ БАТЕРИИ

Литиево-йонните батерии са предмет на законовите разпоредби за превоз на опасни товари.

Превозът на тези батерии трябва да се извършва в съответствие с местните, националните и международните разпоредби и регламенти.

- Потребителите могат да превозват тези батерии по пътя без допълнителни изисквания.
- Превозът на литиево-йонни батерии от транспортни компании е предмет на законовите разпоредбите за превоз на опасни товари. Подготовката на превоза и самият превоз трябва да се извършват само от обучени лица. Целият процес трябва да е под професионален надзор.

Спазвайте следните изисквания при превоз на батерии:

- Уверете се, че контактите са защитени и изолирани, за да се избегне късо съединение.
- Уверете се, че няма опасност от разместване на батерията в опаковката.
- Не превозвайте повредени батерии или такива с течове.

Обърнете се към Вашата транспортна компания за допълнителни инструкции.

СИМВОЛИ



ВНИМАНИЕ! ПРЕДУПРЕЖДЕНИЕ!
ОПАСНОСТ



Преди започване на каквито е да е работи по машината извадете акумулатора.



Преди пускане на уреда в действие моля прочетете внимателно инструкцията за използване.



Електрическите уреди не трябва да се изхвърлят заедно с битовите отпадъци. Електрическото и електронното оборудване трябва да се събира разделно и да се предават на службите за рециклиране на отпадъците според изискванията за опазване на околната среда.

Информирайте се при местните служби или при местните специализирани търговци относно местата за събиране и центровете за рециклиране на отпадъци.



CE-знак

EurAsian знак за съответствие.

| DATE TEHNICE | ȘURUBELNITĂ CU ACUMULATOR | HD 28 IW |
|---|---------------------------|-----------------|
| Număr producție | 4313 03 01... | ..000001-999999 |
| Locaș sculă | ■ 1/2" (13 mm) | |
| Viteza la mers în gol | 0-1450 min ⁻¹ | |
| Rata de impact | 0-2450 min ⁻¹ | |
| Cuplu | 440 Nm | |
| Dimensiune maximă șuruburi / piulițe | 1" (M25) | |
| Tensiune acumulator | 28 V | |
| Greutatea conform „EPTA procedure 01/2003” (3,0 Ah) | 4,1 kg | |

Informație privind zgomotul

Valori măsurate determinate conform EN 60 745.
Nivelul de zgomot evaluat cu A al aparatului este tipic de:
Nivelul presiunii sonore (Nesiguranță K=3dB(A))..... 101 dB (A)
Nivelul sunetului (Nesiguranță K=3dB(A))..... 112 dB (A)

Purtați căști de protecție

Informații privind vibrațiile

Valorile totale de oscilație (suma vectorială pe trei direcții determinate conform normei EN 60745.
Strângerea șuruburilor și piulițelor de mărime maximă
Valoarea emisiei de oscilații a_{n, ID}..... 10,1 m/s²
Nesiguranță K= 1,5 m/s²

AVERTISMENT

Gradul de oscilație indicat în prezentele instrucțiuni a fost măsurat în conformitate cu o procedură de măsurare normată prin norma EN 60745 și poate fi folosit pentru a compara uneltele electrice între ele. El se pretează și pentru o evaluare provizorie a solicitării la oscilații.
Gradul de oscilație indicat reprezintă aplicațiile principale ale uneltele electrice. În cazul în care însă uneltele electrice au fost folosite pentru alte aplicații, ori au fost folosite uneltele de muncă diferite ori acestea nu au fost supuse unei suficiente inspecții de întreținere, gradul de oscilație poate fi diferit.

Acest fapt poate duce la o creștere netă a solicitărilor la oscilații dealungul întregii perioade de lucru.
În scopul unei evaluări exacte a solicitării la oscilații, urmează să fie luate în considerație și perioadele de timp în care aparatul a fost oprit ori funcționează dar, în realitate, el nu este folosit în mod practic. Acest fapt poate duce la o reducere netă a solicitărilor la oscilații dealungul întregii perioade de lucru.

Stabiliți măsuri de siguranță suplimentare în scopul protecției utilizatorului de efectele oscilațiilor, de exemplu: inspecție de întreținere a uneltele electrice și a celor de muncă, păstrarea caldă a mâinilor, organizarea proceselor de muncă.

⚠ AVERTIZARE! Citiți toate indicațiile de siguranță și toate instrucțiunile. Nerespectarea indicațiilor de avertizare și a instrucțiunilor poate provoca electrocutare, incendii și/sau răni grave.
Păstrați toate indicațiile de avertizare și instrucțiunile în vederea utilizărilor viitoare.

⚠ INSTRUCȚIUNI DE SIGURANȚĂ PENTRU MAȘINILE DE ÎNSURUBAT:

Țineți aparatul de mânerul izolat atunci când executați lucrări la care șurubul ar putea atinge cabluri de curent ascunse. Contactul șurubului cu un conductor prin care circula curentul electric poate pune sub tensiune componente metalice ale aparatului, provocând electrocutare.

Purtați aparatoare de urechi. Expunerea la zgomot poate produce pierderea auzului.

INSTRUCȚIUNI SUPPLEMENTARE DE SIGURANȚĂ ȘI DE LUCRU

Folosiți echipament de protecție . Purtați întotdeauna ochelari de protecție când lucrați cu mașina . Se recomandă utilizarea hainelor de protecție ca de ex. Măști contra prafului, mănuși de protecție, încălțăminte stabilă nealunecoasă, cască și aparatoare de urechi.

Praful care apare când se lucrează cu această sculă poate fi dăunător sănătății și prin urmare nu trebuie să atingă corpul. Purtați o mască de protecție corespunzătoare împotriva prafului. Nu se admite prelucrarea unui material care poate pune în pericol sănătatea operatorului (de exemplu azbestul).

La blocarea sculei demontabile vă rugăm să deconectați imediat aparatul! Nu conectați aparatul atâta timp cât scula demontabilă este blocată; dacă o faceți, s-ar putea să se producă un recul cu

un cuplu mare de reacție. Găsiți și remediați cauza de blocare a sculei demontabile respectând indicațiile pentru siguranță.

Cauzele posibile pot fi:
• Agățarea în piesa de prelucrat
• Străpungerea materialului de prelucrat
• Suprasolicitarea sculei electrice

Nu atingeți părțile mașinii aflate în rotație.
Scula introdusă poate să devină fierbinte în timpul utilizării.

AVERTISMENT! Pericol de arsuri
• la schimbarea sculei
• la depunerea aparatului

Rumegușul și spanul nu trebuie îndepărtate în timpul funcționării mașinii.

Când se lucrează pe pereți, tavan sau dușumea, aveți grijă să evitați cablurile electrice și țevile de gaz sau de apă.

Asigurați piesa de prelucrat cu un dispozitiv de fixare. Piesele neasigurate pot provoca accidentări grave și stricăciuni.

Îndepărtați acumulatorul înainte de începerea lucrului pe mașina Nu aruncați acumulatorii uzați la containerul de reziduri menajere și nu îi ardeți. Milwaukee Distributors se oferă să recupereze acumulatorii vechi pentru protecția mediului înconjurător.

Nu depozitați acumulatorul împreună cu obiecte metalice (risc de scurtcircuit)

Folosiți numai încărcătoare System V-Tec pentru încărcarea acumulatorilor System V-Tec. Nu folosiți acumulatori din alte sisteme.

Nu deschideți niciodată acumulatorii și încărcătoarele și păstrați-le numai în încăperi uscate. Pastrați-le întotdeauna uscate .

Acidul se poate scurge din acumulatorii deteriorați la încărcături sau temperaturi extreme. În caz de contact cu acidul din

acumulator, spălați imediat cu apă și săpun. În caz de contact cu ochii, clătiți cu atenție timp de cel puțin 10 minute și apelați imediat la îngrijire medicală.

CONDIȚII DE UTILIZARE SPECIFICATE

Cheia de impact fără cordon poate fi folosită pentru a strânge și a slăbi piulițe și bolțuri oriunde nu este posibilă conectarea la rețea.

Nu utilizați acest produs în alt mod decât cel stabilit pentru utilizare normală

DECLARAȚIE DE CONFORMITATE

Declaram pe propria răspundere că produsul descris la "Date tehnice" este în concordanță cu toate prevederile legale relevante ale Directivei 2011/65/EU (RoHS), 2004/108/CE, 2006/42/CE și cu următoarele norme armonizate:

EN 60745-1:2009 + A11:2010
EN 60745-2-1:2010
EN 60745-2-2:2010
EN 55014-1:2006 + A1:2009 + A2:2011
EN 55014-2:1997 + A1:2001 + A2:2008
EN 50581:2012

Winnenden, 2014-09-03

Alexander Krug

Alexander Krug
Managing Director



Împuternicit să elaboreze documentația tehnică.

Techtronic Industries GmbH
Max-Eyth-Straße 10
71364 Winnenden
Germany

ACUMULATORI

Acumulatorii care nu au fost utilizați o perioadă de timp trebuie reîncărcați înainte de utilizare.

Temperatura mai mare de 50°C (122°F) reduce performanța acumulatorului. Evitați expunerea prelungită la căldură sau radiație solară (risc de supraîncălzire)

Contactele încărcătoarelor și acumulatorilor trebuie păstrate curate.

Pentru o durabilitate optimă, acumulatorii trebuie reîncărcați complet după folosire.

Pentru o durată de viață cât mai lungă, acumulatorii ar trebui scoși din încărcător după încărcare.

La depozitarea acumulatorilor mai mult de 30 zile: Acumulatorii se depozitează la cca. 27°C și la loc uscat. Acumulatorii se depozitează la nivelul de încărcare de cca. 30%-50%. Acumulatorii se încarcă din nou la fiecare 6 luni.

PROTECȚIE SUPRAÎNCĂRCARE ACUMULATOR

În caz de supraîncărcare a acumulatorului prin consum foarte ridicat de curent, de ex. cupluri mecanice extrem de mari, înțepenirea burghiului, întrerupere bruscă sau scurtcircuit, unealta electrică produce timp de 2 secunde un zgomot înfundat, după care se decuplează de la sine. În vederea recuplării, dați drumul butonului de comutare, iar apoi efectuați o nouă cuplare. În condiții de încărcări extreme, acumulatorul se poate încălzi peste măsură. În acest caz, acumulatorul se decuplează. Pentru a-l reîncărca și activa, puneți acumulatorul în în aparatul de încărcare.

INTREȚINERE

Utilizați numai accesorii și piese de schimb Milwaukee. Dacă unele din componente care nu au fost descrise trebuie înlocuite , vă rugăm contactați unul din agenții de service Milwaukee (vezi lista noastră pentru service / garanție)

Dacă este necesar, puteți solicita de la centrul dvs. de service pentru clienți sau direct la Techtronic Industries GmbH, Max-Eyth-Straße 10, 71364 Winnenden, Germania un desen descompus al aparatului prin indicarea tipului de aparat și a numărului cu șase cifre de pe tablăta indicatoare.

TRANSPORTUL ACUMULATORILOR CU IONI DE LITIU

Acumulatorii cu ioni de litiu cad sub incidența prescripțiilor legale pentru transportul de mărfuri periculoase.

Transportul acestor acumulatori trebuie să se efectueze cu respectarea prescripțiilor și reglementărilor pe plan local, național și internațional.

- Consumatorilor le este permis transportul rutier nerestricționat al acestui tip de acumulatori.
- Transportul comercial al acumulatorilor cu ioni de litiu prin intermediul firmelor de expediție și transport este supus reglementărilor transportului de mărfuri periculoase. Pregătirile pentru expediție și transportul au voie să fie efectuate numai de către personal instruit corespunzător. Întregul proces trebuie asistat în mod competent.

Următoarele puncte trebuie avute în vedere la transportul acumulatorilor:

- Pentru a se evita scurtcircuite, asigurați-vă de faptul că sunt protejate și izolate contactele.
- Aveți grijă ca pachetul de acumulatori să nu poată aluneca în altă poziție în interiorul ambalajului său.
- Este interzis transportarea unor acumulatori deteriorați sau care pierd lichid.

Pentru indicații suplimentare adresați-vă firmei de expediție și transport cu care colaborați.

SIMBOLURI



PERICOLI AVERTIZARE! ATENȚIE!



Îndepărtați acumulatorul înainte de începerea lucrului pe mașina



Va rugăm citiți cu atenție instrucțiunile înainte de pornirea mașinii



Aruncarea aparatelor electrice la gunoii menajer este interzisă. Echipamentele electrice și electronice trebuie colectate separat și predate la un centru de reciclare și eliminare ecologic. Interesați-vă la autoritățile locale sau la comerciantul dvs. de specialitate unde se află centre de reciclare și puncte de colectare.



Marcaj CE

Marcaj de conformitate EurAsian.

ТЕХНИЧКИ ПОДАТОЦИ УДАРЕН ШРАФЦИГЕР НА БАТЕРИИ HD 28 IW

| | |
|---|-----------------------------------|
| Произведен број..... | 4313 03 01... ...000001-999999 |
| Глава на алатот..... | ■ 1/2" (13 mm) |
| Брзина без оптоварување..... | 0-1450 min ⁻¹ |
| Големина на удар..... | 0-2450 min ⁻¹ |
| Спрега торк..... | 440 Nm |
| Максимална големина на навртките / големина на завртките..... | 1" (M25) |
| Волтажа на батеријата..... | 28 V |
| Тежина според ЕПТА-процедурата 01/2003 (3,0 Ah)..... | 4,1 kg |

Информации за бучавата

Измерените вредности се одредени согласно стандардот EN 60 745.

A-оценетото ниво на бучава на апаратот типично изнесува:

| | |
|--|------------|
| Ниво на звучен притисок. (Несигурност K=3dB(A))..... | 101 dB (A) |
| Ниво на јачина на звук. (Несигурност K=3dB(A))..... | 112 dB (A) |

Носте штитник за уши.

Информации за вибрации

Вкупни вибрациски вредности (векторски збир на трите насоки) пресметани согласно EN 60745.

Навлекување на навртки и завртки со максимална големина

| | |
|---|-----------------------|
| Вибрациска емисиона вредност a _{h, ID} | 10,1 m/s ² |
| Несигурност K..... | 1,5 m/s ² |

ПРЕДУПРЕДУВАЊЕ

Нивото на осцилација наведено во овие инструкции е измерено во согласност со мерните постапки нормирани во EN 60745 и може да биде употребено за меѓусебна споредба на електро-алати. Ова ниво може да се употреби и за привремена проценка на оптоварувањето на осцилацијата.

Наведеното ниво на осцилација ги репрезентира главните намени на електро-алатот. Но, доколку електро-алатот се употребува за други намени, со отстапувачки додатоци или со несоодветно одржување, нивото на осцилација може да отстапи. Тоа може значително да го зголеми оптоварувањето на осцилацијата за време на целиот работен период.

За прецизна проценка на оптоварувањето на осцилацијата предвид треба да бидат земени и времињата, во коишто апаратот е исклучен или работи, но фактички не се употребува. Тоа може значително да го намали оптоварувањето на осцилацијата за време на целиот работен период.

Утврдете дополнителни безбедносни мерки за заштита на операторот од влијанието на осцилациите, како на пример: одржување на електро-алатот и на додатоци кон електро-алатот, одржување топли раце, организација на работните процеси.

▲ ВНИМАНИЕ! Прочитајте ги безбедносните напомени и упатства. Заборавање на почитувањето на безбедносните упатства и инструкции можат да предизвикаат електричен удар, пожар и/или тешки повреди.

Сочувајте ги сите безбедносни упатства и инструкции за во иднина.

▲ БЕЗБЕДНОСНИ НАПОМЕНИ ЗА ЗАШТРАФУВАЊЕ:

При реализација на работи, при кои завртката може да погоди сокриени водови на струја, држете го апаратот на изолираните површини за држење. Контактот на навртката со вод под напон може да ги стави металните делови од апаратот под напон и да доведе до електричен удар.

Носете штитник за уши. Изложеноста на бука може да предизвика губење на слухот.

ОСТАНАТИ БЕЗБЕДНОСНИ И РАБОТНИ УПАТСТВА

Употребувајте заштитна опрема. При работа со машината постојано носете заштитни очила. Се препорачува заштитна облека како: маска за заштита од прашина, заштитни ракавици, цврсти чевли што не се лизгаат, кацига и заштитна за уши.

Причината која се создава при користење на овој алат може да биде штетна по здравјето. Не ја вдишувајте. Носете соодветна заштитна маска.

Не смеат да бидат обработувани материјали кои што можат да го загорзат здравјето (на пр. азбест).

Доколку употребуваното орудие се блокира, молиме веднаш да се исклучи апаратот! Не го вклучувајте апаратот повторно додека употребуваното орудие е блокирано; притоа би можело да дојде до повратен удар со висок момент на реакција. Испитајте и отстранете ја причината за блокирањето на

употребеното орудие имајќи ги во предвид напомените за безбедност.

Можни причини би можеле да се:

- Закантување во парчето кое што се обработува
- Кршење поради продирање на материјалот кој што се обработува

- Преоптоварување на електричното орудие

Не фаќајте во машината кога работи.

Употребеното орудие за време на примената може да стане многу жешко.

ПРЕДУПРЕДУВАЊЕ! Опасност од изгоретини

- при менување на орудие
- при ставање на апаратот на страна

Прашината и струготините не смеат да се одстрануваат додека е машината работи.

Кога работите на ѕидови, таван или под внимавајте да ги избегнете електричните, гасните и водоводни инсталации.

Обезбедете го предметот кој што го обработувате со направа за напон. Необезбедени парчиња кои што се обработуваат можат да предизвикаат тешки повреди и оштетувања.

Извадете го батерискиот склоп пред отпочнување на каков и да е зафат врз машината.

Не ги оставајте искористените батерии во домашниот отпад и не горете ги. Дистрибутерите на Милвоки ги собираат старите батерии, со што ја штитат нашата околина.

Не ги чувајте батериите заедно со метални предмети (ризик од краток спој).

Користете исклучиво Систем V-Тес за полнење на батерии од V-Тес систем. Не користете батерии од друг систем.

Не ги отворајте насилно батериите и полначите, и чувајте ги само на суво место. Чувајте ги постојано суви.

Киселината од оштетените батериите може да истече при екстрем напон или температури. Доколку дојдете во контакт со исатата, измијте се веднаш со сапун и вода. Во случај на контакт со очите плакнете ги убаво најмалку 10 минути и задолжително одете на лекар.

СПЕЦИФИЦИРАНИ УСЛОВИ НА УПОТРЕБА

Безжичниот моментен клуч може да биде користен за затегање или одвртување на навртки и шrafoви секаде каде не е достапно напојување.

Не го користете овој производ на било кој друг начин освен пропишаниот за нормална употреба.

ЕУ-ДЕКЛАРАЦИЈА ЗА СООБРАЗНОСТ

Во своја сопствена одговорност изјавуваме дека под "Технички додатоци" опишаниот производ е во склад со сите релевантни прописи од регулативата 2011/65/EU (RoHS), 2004/108/EC, 2006/42/EC и следните хармонизирачки нормативни документи:

EN 60745-1:2009 + A11:2010
EN 60745-2-1:2010
EN 60745-2-2:2010
EN 55014-1:2006 + A1:2009 + A2:2011
EN 55014-2:1997 + A1:2001 + A2:2008
EN 50581:2012

Winnenden, 2014-09-03

Alexander Krug
Managing Director



Ополномоштен за составување на техничката документација.

Techtronic Industries GmbH
Max-Eyth-Straße 10
71364 Winnenden
Germany

БАТЕРИИ

Подолг период неупотребувани комплекти батерии да се наполнат пред употреба.

Температура повисока од 50°C (122°F) го намалуваат траењето на батериите. Избегнувајте подолго изложување на батериите на високи температури или сонце (ризик од прегревање).

Клемите на полначот и батериите мора да бидат чисти.

За оптимален работен век, по употреба батериите мора да бидат целосно наполнети.

За можно подолг век на траење, апаратите после нивното полнење треба да бидат извадени од апаратот за полнење на батериите.

Во случај на складирање на батеријата подолго од 30 дена: Акумулаторот да се чува на температура од приближно 27°C и на суво место.

Акумулаторот да се складира на приближно 30%-50% од состојбата на наполнетост.

Акумулаторот повторно да се наполни на секои 6 месеци.

ЗАШТИТА ОД ПРЕОПТЕРЕТУВАЊЕ НА БАТЕРИЈАТА

При преоптоварување на батеријата со многу висока потрошувачка на струја, на пример екстремно високи вртежни моменти, заглавување на дупчалката, ненадејно запирање или краток спој, електро-уредот бучи 2 секунди, а потоа самостојно се гаси.

За повторно вклучување ослободете го прекинувачот и вклучете повторно.

Во случај на екстремни оптоварувања батеријата може да загрее многу. Во таков случај батеријата исклучува.

Тогаш ставете ја батеријата во уредот за полнење за повторно да ја напоните и активирате.

ОДРЖУВАЊЕ

Користете само Milwaukee додатоци и резервни делови. Доколку некои од компонентите кои не се опишани треба да бидат заменети, Ве молиме контактирајте ги сервисните агенти на Milwaukee (консултирајте ја листата на адреси).

При потреба може да се побара експлозионен цртеж на апаратот со наведување на машинскиот тип и штостоцифрениот број на табличката со учиношти или во Вашата корисничка служба или директно кај Techtronic Industries GmbH, Max-Eyth-Straße 10, 71364 Winnenden, Германија.

ТРАНСПОРТ НА ЛИТИУМ-ЈОНСКИ БАТЕРИИ

Литиум-јонските батерии подлежат на законските одредби за транспорт на опасни материи.

Транспортот на овие батерии мора да се врши согласно локалните, националните и меѓународните прописи и одредби.

- Потрошувачите на овие батерии може да вршат непречен патен транспорт на истите.
- Комерцијалниот транспорт на литиум-јонски батерии од страна на шпедитерски претпријатија подлежат на одредбите за транспорт на опасни материи. Подготовките за шпедиција и транспорт треба да ги вршат исклучиво соодветно обучени лица. Целокупниот процес треба да биде стручно надгледуван.

При транспортот на батерии треба да се внимава на следното:

- Осигурајте се дека контактите се заштитени и изолирани, а сето тоа со цел да се избегнат кратки споеви.
- Внимавајте да не дојде до изместување на батериите во нивната амбалажа.
- Забранет е транспорт на оштетени или протечени литиум-јонски батерии.

За понатамошни инструкции обратете се до Вашето шпедитерско претпријатие.

СИМБОЛИ



**ВНИМАНИЕ! ПРЕДУПРЕДУВАЊЕ!
ОПАСНОСТ!**



Извадете го батерискиот склоп пред отпочнување на каков и да е зафат врз машината.



Ве молиме пред да ја стартувате машината обрнете внимание на упатствата за употреба.



Електричните апарати не смеат да се фрлат заедно со домашниот отпад. Електричните и електронските апарати треба да се собираат одделно и да се однесат во соодветниот погон заради нивно фрлање во склад со начелата за заштита на околината. Информирајте се кај Вашите местни служби или кај специјализираниот трговски претставник, каде има такви погони за рециклажа и собирни станици.



CE-знак

EurAsian (Евроазиски) знак на конформитет.

| 技术数据 | 充电式震动螺丝起子机 | HD 28 IW |
|---|-----------------------------------|----------|
| 生产号 | 4313 03 01... ...000001-999999 | |
| 工具夹头 | ■ 1/2" (13 mm) | |
| 无负载转速 | 0-1450 min ⁻¹ | |
| 撞击次数 | 0-2450 min ⁻¹ | |
| 扭力 | 440 Nm | |
| 最大螺丝尺寸 / 螺母尺寸 | 1" (M25) | |
| 蓄电池电压 | 28 V | |
| 重量符合EPTA – Procedure 01 / 2003 (3,0 Ah) | 4,1 kg | |

噪音信息
本测量值符合 EN 60 745 条文的规定。
器械的标准A-值噪音级为：

| | |
|-----------------------------|------------|
| 音压值 (K=-不可靠性=3dB(A)) | 101 dB (A) |
| 音量子值 (K=-不可靠性=3dB(A)) | 112 dB (A) |

请戴上护耳罩！

振动信息
依欧盟EN 60745 标准确定的振荡总值（三方向矢量和）。
有最大尺寸螺丝和螺母的拧紧
ah_{ms} 振荡发射值

| | |
|------------------------------|-----------------------|
| ah _{ms} 振荡发射值 | 10,1 m/s ² |
| K=-不可靠性 | 1,5 m/s ² |

注意

本规程列出的依欧盟EN 60745 标准一项标准测量方法测量的振荡级也可用于电动工具比较并适合于临时振荡负荷估计。
该振荡级代表电动工具的主要应用。电动工具的其他应用，不正确的工作工具或欠缺维护可造成振荡级偏差。此可明确提高总工作期间的振荡负荷。

正确地估计一定工作期间的振荡负荷也要考虑到工具关闭或接通而不使用的期间。此可明确减少总工作期间的振荡负荷。

为提高操作人员对振荡作用的保护得规定补充安全措施：电动工具及工作工具的维护，温手，工作过程组织等。

▲ 警告！ 务必阅读所有安全提示和指示。如未确实 遵循警告提示和指示，可能导致电击、火灾并且/ 或其他的严重伤害。
妥善保存所有的警告提示和指示，以便日后查阅。

▲ 关于起子机的安全指示

螺丝可能接触隐藏的电线时，得将机器握住于其绝缘把手表面。螺丝接触带电电线，会将电导向其他金属部位并引起电击。

请戴上耳罩。工作噪音会损坏听力。

其它安全和工作指示

使用防护装备。操作机器时务必佩戴护目镜。最好也使用下列的防护装备，例如防尘面具、护手套、坚固而且止滑的工作鞋、安全头盔和耳罩等。

工作尘往往有害健康，不可以让工作尘接触身体。工作时请佩戴合适的防尘面具。

严禁加工会导致健康危险的材料（石棉等）。

施工工具被卡住时，请及时关闭机器！为避免高反作用力矩，施工工具被卡住时不要重新接通机器。应按照安全提示查找并排除施工工具卡住的原因。

有下列可能原因：

- 工具斜卡在要加工工件中
- 要加工材料的破裂
- 电动工具超载

手指不要接近运行中的机器。

进行工作时，被操作施工工具会发热。

警告！烧伤危险

- 更换工具时
- 放下机器时

如果机器仍在运转，切勿清除其上的木屑或金属碎片。

在墙壁、天花板或地板工作时，必须特别注意被隐埋的电线、瓦斯管和水管。

应通过夹紧装置锁定工件。未锁定工件会导致重伤和损坏。

在机器上进行任何修护工作之前，先拿出蓄电池。

损坏的蓄电池不可以丢入火中或一般的家庭垃圾中。Milwaukee 提供了符合环保要求的回收项目： 请向您的专业经销商索取有关详情。

蓄电池不可以和金属物体存放在一起（可能产生短路）。

V-Tec 系列的蓄电池只能和 V-Tec 系列的充电器配合使用。不可以使用本充电器为其它系列的电池充电。

不可拆开蓄电池和充电器。蓄电池和充电器必须储藏在干燥的空间，勿让湿气渗入。

在过度超荷或极端的温度下，可能从损坏的蓄电池中流出液体。如果触摸了此液体，必须马上使用肥皂和大量清水冲洗。如果此类流体侵入眼睛，马上用清水彻底清洗眼睛（至少冲洗 10 分钟），接着即刻就医治疗。

正确地使用机器

充电式冲击扳手可以广泛使用在收紧、放鬆螺丝和螺母上。不受电源插座位置限制。

请依照本说明书的指示使用此机器。

欧洲安全规定说明

在我方的全权责任下我方在此声明，“技术数据”下所描述的产品符合于2011/65/EU (RoHs)、2004/108/EC、2006/42/EC等欧共体准则的所有有关规定和下列标准和标准化文件：

EN 60745-1:2009 + A11:2010
EN 60745-2-1:2010
EN 60745-2-2:2010
EN 55014-1:2006 + A1:2009 + A2:2011
EN 55014-2:1997 + A1:2001 + A2:2008
EN 50581:2012

Winnenden, 2014-09-03



Alexander Krug
Managing Director

受权编篡技术资料。

Techtronic Industries GmbH
Max-Eyth-Straße 10
71364 Winnenden
Germany



蓄电池

放电后，可达到最大的电容量。长期储放的蓄电池，必须先充电再使用。

如果周围环境的温度超过摄氏 50 度，蓄电池的功能会减弱。勿让蓄电池长期暴露在阳光或暖气下。

充电器和蓄电池的接触点都必须保持干净。

为延长使用寿命，请在使用后给电池充满电。

为确保最长使用寿命，充电后应把蓄电池从充电器取出。

蓄电池储存时间长于30日：
在环境温度27°C左右干燥处储存蓄电池。
在百分之30至50充电状态储存蓄电池。
每6月重新充电。

蓄电池超载保护

极端高扭矩，钻头被卡住，突然停止或短路等情况下特别高电流消耗所造成蓄电池超载时，电动工具发出响声两秒并自动断开。

为继续工作，放开开关按钮并再接通。

极端超载时，蓄电池过热。这种情况下，蓄电池自动断开。此时，将蓄电池插入充电器，再充电并激活蓄电池。

维修

只能使用 Milwaukee 的配件和 Milwaukee 的零件。缺少检修说明的机件如果损坏了，必须交给 Milwaukee 的顾客服务中心更换（参考手册“保证书 / 顾客服务中心地址”）。

如果需要机器的分解图,可以向您的顾客服务中心或直接向 Techtronic Industries GmbH, Max-Eyth-Straße 10, 71364 Winnenden, Germany 联络。案件时必须提供以下资料: 机型和机器铭牌上的六位数字码。

锂离子蓄电池的运输

锂离子蓄电池属于危险货品并受制于危险货品运输条例。

此蓄电池的运输必须遵守地方、国家和国际法律规定。

- 用户在公路上运输此蓄电池不必遵守特殊规定。
- 锂离子蓄电池的商业性运输受制于危险货品运输条例的规定。运输准备和运输必须由受过合适培训人员进行。全部过程必须由合格专业人员监督。

运输蓄电池时必须注意到下列事项：

- 为避免短路，必须确保蓄电池接点的防护和绝缘。
- 确保包装中的蓄电池包不会滑动。
- 严禁运输损坏或泄漏蓄电池。

进一步建议请联系运输商。

符号



请注意！警告！危险！



在机器上进行任何修护工作之前，先拿出蓄电池。



使用本机器之前请详细阅读使用说明书。



电气工具必须与生活垃圾分开处理。电气机器和电子机器必须单独分开收集并送到回收站以确保符合环境保护的处理。有关回收站和收集站的细节，请与主管当局或您的专业经销商联络。



欧洲共同体标志

欧亚合格性标志。

Copyright 2015
Techtronic Industries GmbH
Max-Eyth-Straße 10
71364 Winnenden
Germany
+49 (0) 7195-12-0



(02.15)
4931 4140 93